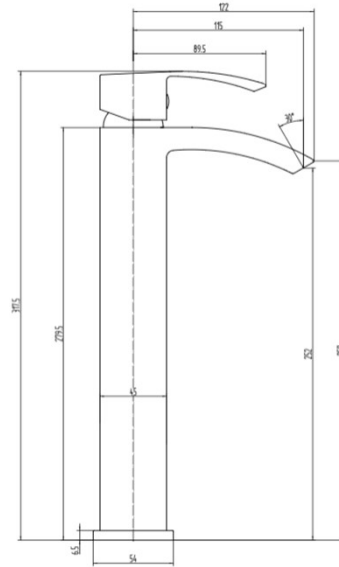


**RAK METROPOLITAN**  
**Basin Mixer | Tall | No Waste**

**RAK**  
CERAMICS



---

**Dimensions:** 45w x 122d x 317.5h mm

---

**Colour:** CHROME

---

**Code:** RAKMET3003

---

**Pressures:** 0.1 BAR – 6.0 BAR

---

**Warranty:** 15 YEARS

---

**Weight:** 2.50 KG

---

Dimensions: All Dimensions in mm tolerance  $\pm 5\%$  for below 200mm and  $\pm 3\%$  for above 200mm.  
Note: Due to a continuing development programme to improve design and performance the manufacturer reserves all rights to vary specifications without prior information.  
Please note accessories are for photographic use only.