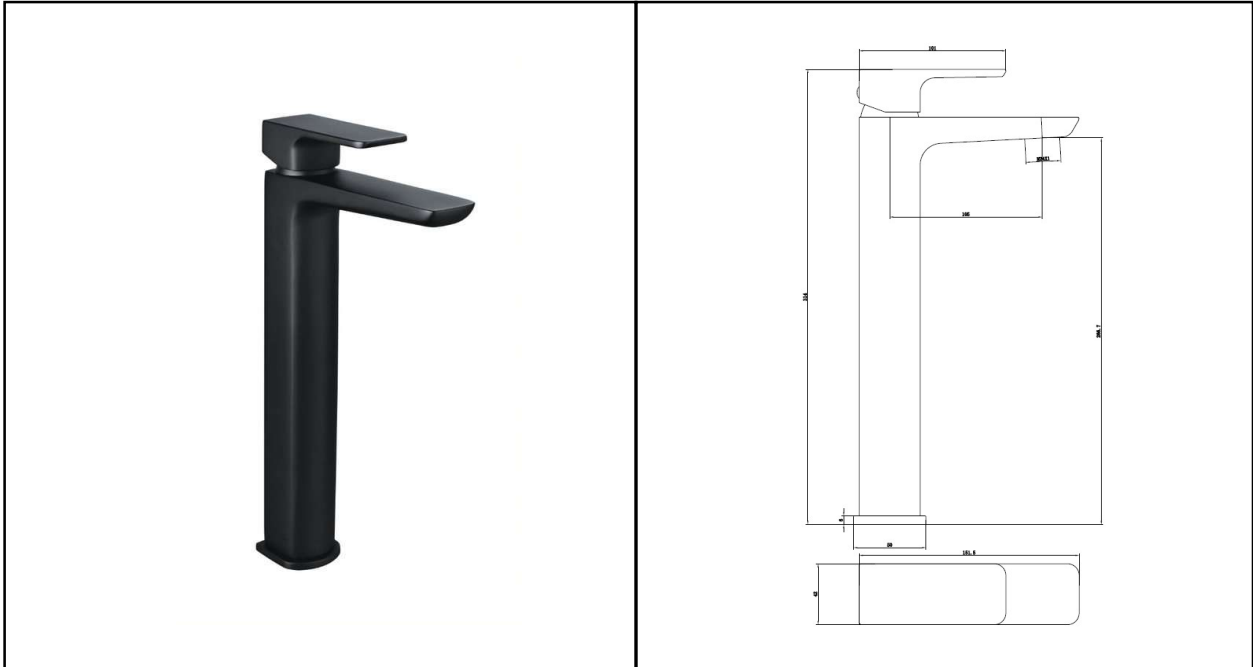


RAK MOON TAPS
Basin Mixer | Tall | Inc. Waste

RAK
CERAMICS



Dimensions: 50w x 105d x314h mm

Colour: BLACK

Code: RAKMOO3003B

Pressures: 0.2 BAR – 6.0 BAR

Warranty: 15 YEARS

Weight: 2.30 KG

Dimensions: All Dimensions in mm tolerance $\pm 5\%$ for below 200mm and $\pm 3\%$ for above 200mm.
Note: Due to a continuing development programme to improve design and performance the manufacturer reserves all rights to vary specifications without prior information.
Please note accessories are for photographic use only.