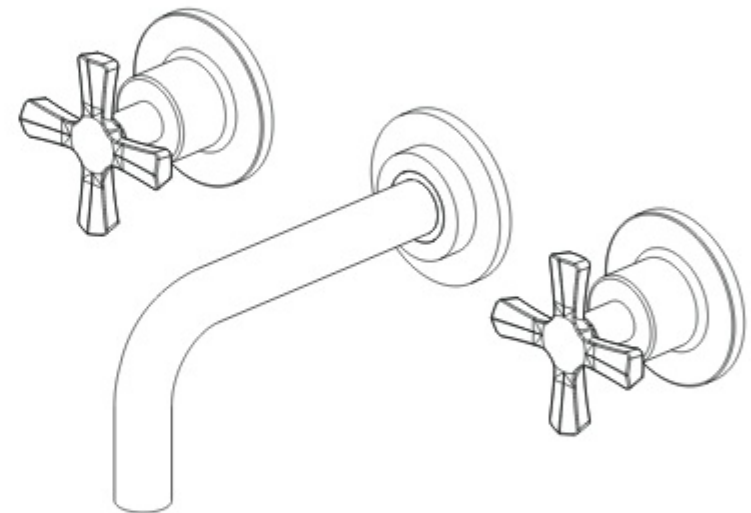


Riviera 3 hole wall mounted basin mixer Chrome  
Riviera 3 hole wall mounted basin mixer Gold

RIV1CHR  
RIV1GOLD

## TECHNICAL DETAILS

For full technical details on all our products,  
please visit our website [www.burlingtonbathrooms.com](http://www.burlingtonbathrooms.com)



\*Rough is not supplied with the product.

\*Two spouts of different lengths are included for your selection.

## INSTALLATION INSTRUCTIONS

## INSTALLATION INSTRUCTIONS

Please read these instructions carefully and keep in a safe place for further reference.

### General Installation Requirement

The installation must comply with regulations of the Local Water Authority as contained in their bylaws. It will be necessary to fit non-return valves on both the hot and cold feeds. It is very important that all pipework is flushed thoroughly after installation to avoid impurities damaging the ceramic discs.

### Minimum/Maximum working pressure

These taps are suitable for high and low pressure installations. They are fitted with quarter turn ceramic disc headwork which provides a smooth movement. The minimum work pressure is 0.2 bar. The maximum work pressure is 5 bar. If the mains pressure is over 5 bar, a pressure reducing valve should be fitted.

### Approvals

All taps are manufactured using materials tested and approved under the Water Bylaws Scheme and comply with requirements of European standard EN200 where applicable.

### Preparations and bylaw requirements

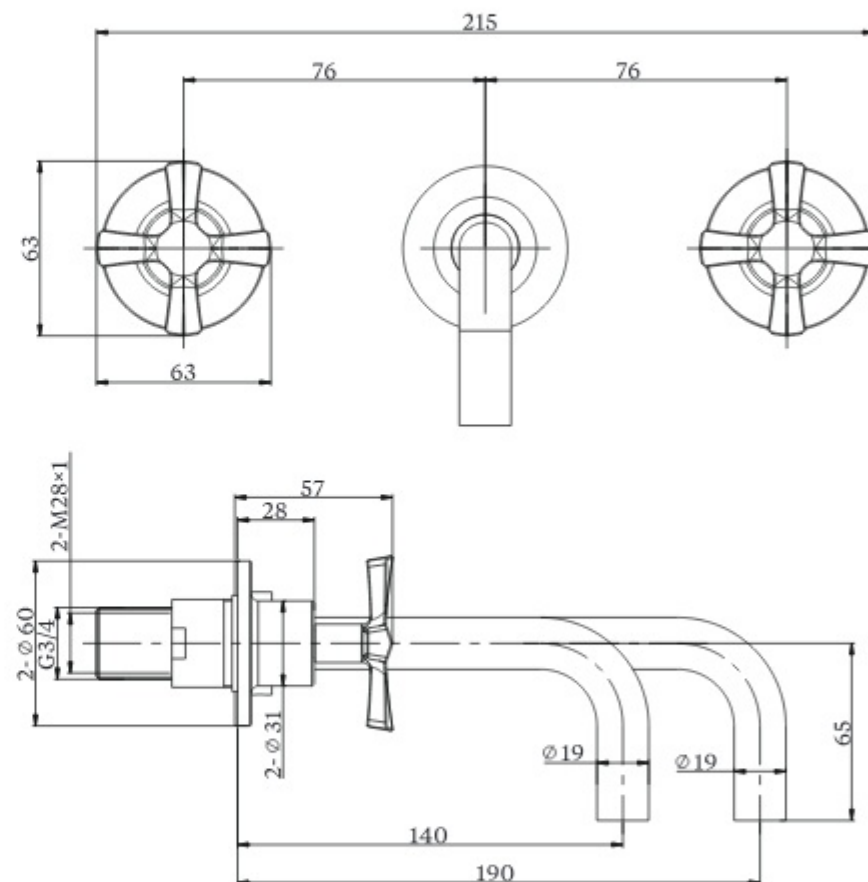
Water Bylaws require that where hot water is supplied from tank and cold from mains, non return valves are fitted on both hot and cold pipes as close as possible to the tap. These are not supplied. Where combination boilers are fitted, it is only necessary to shut off the incoming mains and turn the boiler off. Non return valves are not required.

### Warning

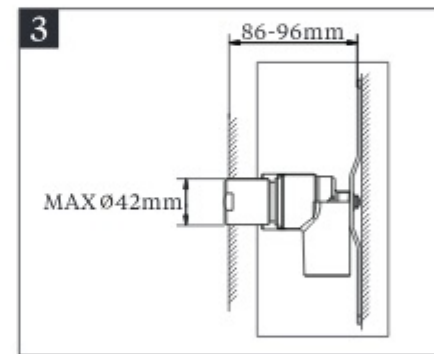
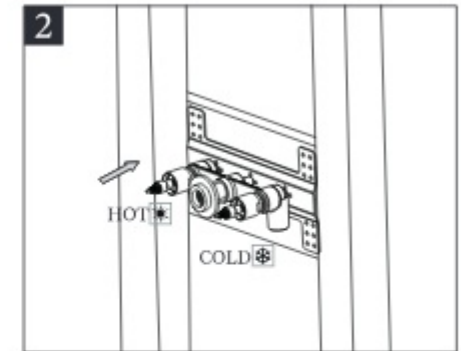
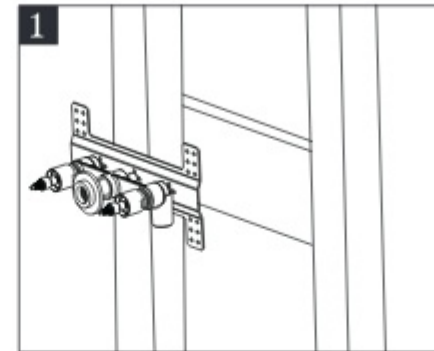
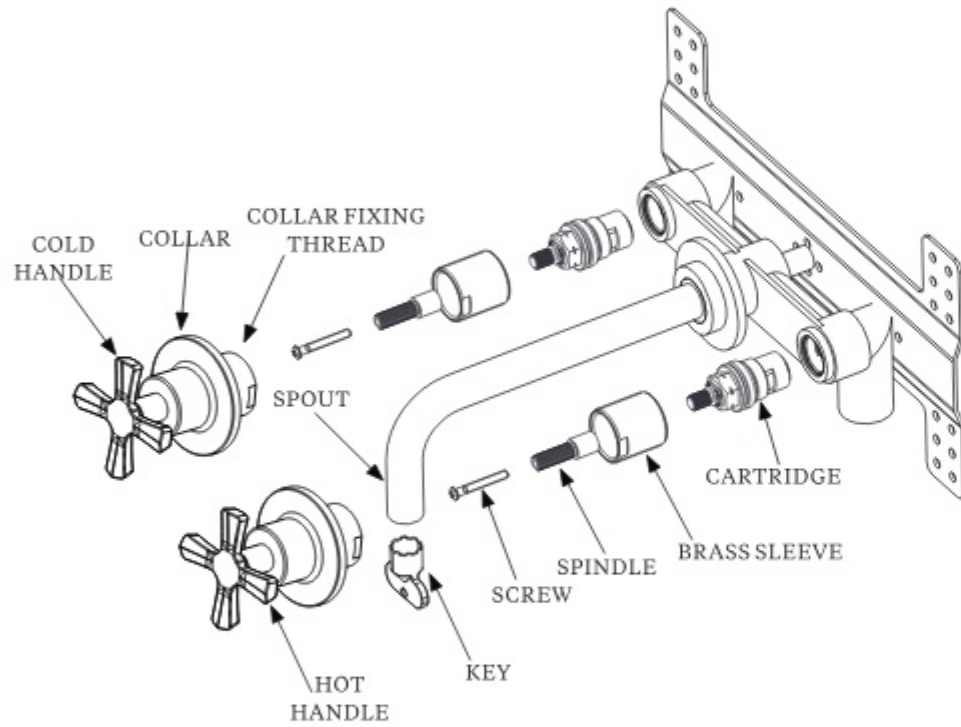
Before installing the new taps, it is essential that you thoroughly flush through the supply pipes in order to remove any remaining swarf, solder or other impurities. Failure to carry out this simple procedure could cause problems or damage to the working of the taps.

These hints are prepared for your guidance; you must exercise due care at all times. We do not accept responsibility for any problems that may occur through incorrect installation.

## DIMENSIONS



NOTE: ALL DIMENSIONS IN MILLIMETRES



## INSTALLATION INSTRUCTIONS

First shut off your water heating system, then with your mains stop cock closed, open the lowest cold and hot taps in the house and allow to run until the cold storage tank and pipes are empty (the hot storage cylinder always remains full).

Fitting isolating valve to inlet feeds is recommended for ease of maintenance.

### INSTALLATION

Note: Remember to turn off mains water supply before connecting to any existing pipe work. Do not turn on the mains water supply until all installation is complete.

#### IMPORTANT:

The trim set needs to be used with UK-130ROUGH.

#### 1. Install valve body (See Fig 1)

a. Attach the valve body to the bracket using the fixing screws. A recess must be prepared in the wall to accommodate the bracket and valve body.

b. Place the bracket and valve body in position and determine what alteration to the existing pipework is necessary.

c. Secure the bracket using suitable fixing screws for the wall type.

2. Connect the hot (to the left) and cold (to the left) water supplies to the ½ fixing at the bottom of the valve body (See Fig 2). Please note the tile should be fixed between the MAX marking and MIN marking on the protective covers.

3. Tile the wall. The thickness should be between 86 to 96 mm from the tile to the bottom of the bracket (See Fig 3).

4. Apply a narrow bead of silicone to the brass tube at the back of spout and screw the spout onto the valve body (See Fig 4).

5. Screw the handles onto valve body (See Fig 5).

6. This diagram shows the status after installation is completed (See Fig 6).

## MAINTENANCE

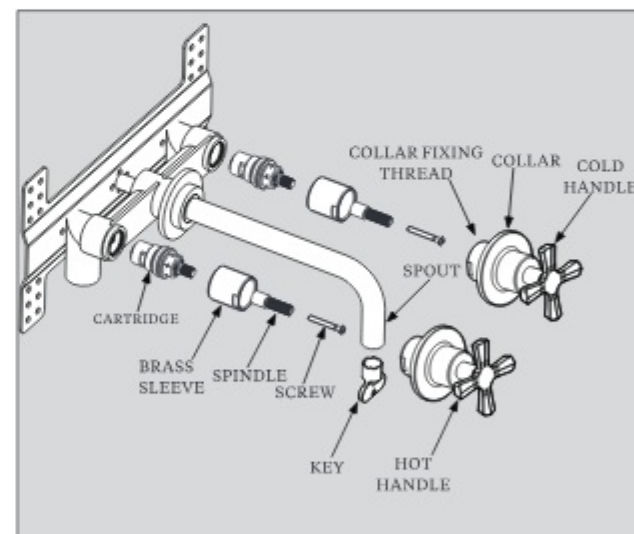
Note : Remember to turn off the water supply before commencing any maintenance.

#### Cleaning the cartridge

The concealed cartridge should give trouble free service, but in the event of any problem, service is straight forward.

#### To remove the cartridge from the valve

Please follow the diagram to remove the cartridge. Wash the cartridge with clean running water. Make sure any trapped debris has been removed. Dry and lightly grease the seal (only use silicone grease). Refit the cartridge followed by the handle body.



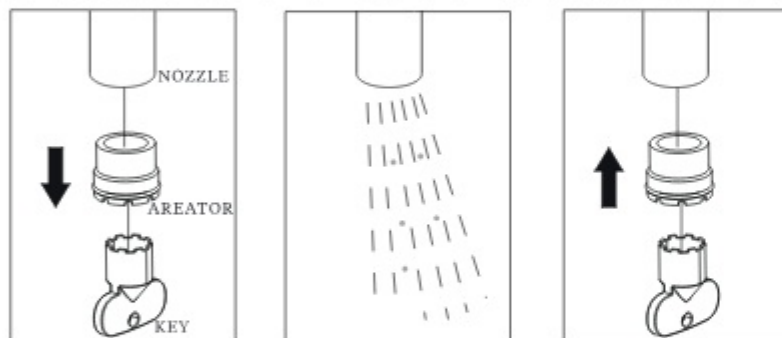
#### CLEANING

The product should be cleaned only with warm soapy water followed by rinsing with clean water and drying with a soft cloth. All finishes are vulnerable to acid attack and some strong substances such as household cleaners, disinfectants, denture cleaners, hair dyes, wine making and photographic chemicals can cause the surface to go black or peel.

## FILTER CLEANING

**Before use :** unscrew the filter and allow the water to run freely for 5 minutes. Screw the filter back into the nozzle once all impurities have been flushed from the water supply.

**Periodically :** Using the key provided in the box unscrew the filter from the nozzle and rinse with clean running water. Once all loose debris and dirt has been cleared replace the filter into the nozzle and tighten with the key provided.



## THE QUALIFICATIONS

This product should only be fitted by a qualified plumber to the equivalent of UK NVQ (National Vocational Qualification) or SNVQ (Scottish National Vocational Qualification) Level 3. Should the installation be completed by a non-qualified person then the guarantee may be considered invalid.