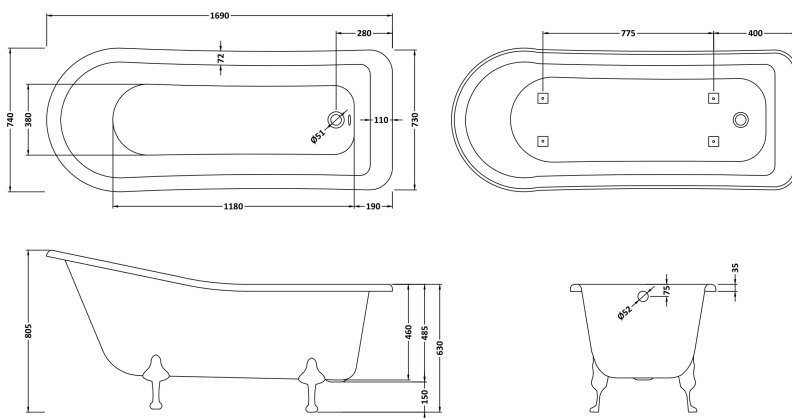


**Sales Code:** RL1690

**Description:** 1700 Slipper Freestanding Bath



### Product Dimensions

Length (mm):	1690
Width (mm):	730
Depth (mm):	625
Nett Weight (kg):	46

### Packaging Dimensions

Length (mm):	1700
Width (mm):	720
Depth (mm):	470
Gross Weight (kg):	46

### Packaging Data

Box Colour:	Brown Cardboard Sleeve
Box Qty:	1
Label Size:	100 x 50
Label Colour:	White Label
Label Qty:	2

### Outer Box Dimensions (If Applicable)

Length (mm):	
Width (mm):	
Height (mm):	
Gross Weight (kg):	
Barcode:	5055369006557

### Product Details

Country of Origin:	China
Fitting Instruction:	No
Certification:	FSC: CE & UKCA:
Material Colour Reference:	European White
Product Material:	Acrylic
Material Thickness:	14mm
Volume (Ltr):	197L
Displaced Capacity:	125L
Leg Set Included:	Legset Not Included
Waste Included:	Waste Not Included
Drilled/Undrilled:	Undrilled For Taps
Includes Grips:	No Grips Supplied
Embossed:	No
No of Tapholes:	None
Anti-Slip:	No