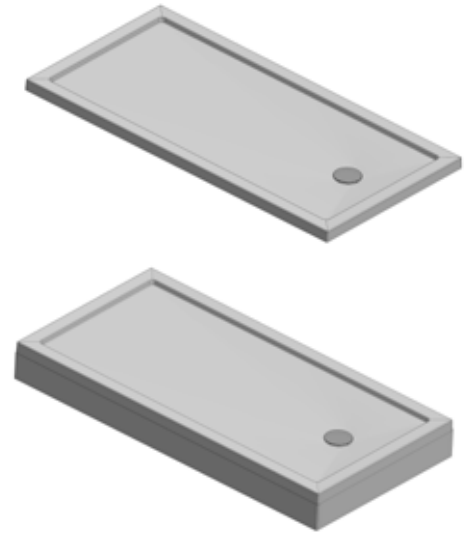
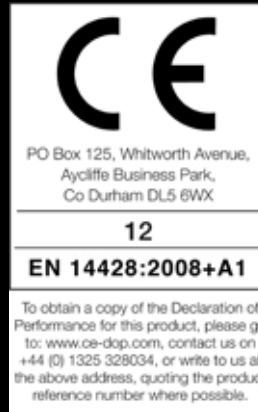


# Anti-Slip Tray & Optional Standard Riser Kit

## Instruction Manual

**RST**  
**RSTRK (Optional)**



### IMPORTANT

- Please read these instructions carefully prior to attempting the installation. The low level tray will provide many years of trouble-free service if installed correctly. Important – some of the installation points are different to that associated with a conventional cast tray.
- Unpack and handle the product with care to avoid damage to the product finish.
- Check for any hidden electrical cables and water pipes prior to commencing any drilling work.
- Ensure the walls to which the enclosure is to be fitted are vertical. **Note:** *The walls should be tiled and grouted after the tray is fitted.*
- Ensure the tiling of the tray is no less than the minimum of 10mm and does not exceed the maximum of 25mm.
- These low level trays are heavy. It is recommended that at least two people carry out the installation of the tray to help prevent personal injury and damage to the product.
- Pictures are used for illustration purposes only; product designs may alter slightly as a result of continuing product development.
- The low level trays will handle a flow rate of up to 25 litres per minute; care must be taken to follow the guidelines regarding outflow pipe work. Inadequate gradients on waste pipe work may lead to water damage which is not covered under the terms of the Guarantee.
- This product must be bedded down on a bed of mortar of a weak 5:1 sand & cement mix (wet mix) on a solid base of either marine ply or concrete in installations A and B. This flattens out any undulations between the floor and the tray base.
- Excessive loading on a poorly supported tray may lead to damage of the tray.

#### Anti-Slip Tray List: Supplied

Description	Quantity
Tray	1
90mm Waste	1

#### Equipment Check List: Not Supplied

Description	
Bathroom Sealant Gun	Spirit Level(s)
Bathroom Sealant	Pencil

#### Riser-Kit Check List: (Optional) Supplied

Description	Quantity
Fascia (Front)	1
Fascia (Side)	1
Tray Feet	9
Fascia to Foot Joint	6
Velcro Discs	6

### Before Assembly and Installation of the Low Level Tray

- Check to see that you have the correct tray for your enclosure. This can be done by referring to the label on the side of the product packaging.
- Ensure all parts are in the packaging by checking them against the parts and quantities shown on the component checklist above.
- Check the product for defects or damage. Fitting the product is acceptance of quality and once the installation has been completed we cannot accept responsibility for any defects or damage to the product.
- The tray must be completely sealed along the tiled walls, fitted level (check with a spirit level) and should have no leaks.

## Tray Installation Procedures

The Low-Level Tray is intended to give a distinctive and minimalist appearance when installed with its corresponding enclosure. Additional benefits arise from the low level tray in the form of easy access for the user and the ability to create a nearly flush fitting using the following tips. The range offers an opportunity to own a fashionable enclosure that will add to the visual appeal of any bathroom while providing easy access for all the family.

- A. Install the tray conventionally as per Installation Procedure A prior to fitting the floor tiles. Floor tiling up to the tray will reduce the installed height by the amount equal to the thickness of the tile plus the adhesive (typically 10-15mm). A similar visual effect may be achieved with a piled carpet.
- B. Remove the floor boards and sink the tray below the floor boards as in Installation Procedure B. Typical floor boards in modern houses are approx. 15 - 20mm thick, so sinking the tray below the floor boards can reduce the height to around 25 - 40mm. Laying floor tiles up to the tray can provide a more flush fit.
- C. Should the tray require lifting to provide adequate space for the waste pipes Procedure C will ensure there is adequate support for the tray by using the optional Riser Kit.

## Maintaining your Low Level Tray

### Cleaning

Low level solid surface shower trays are designed for luxury showering and with care and attention you can keep them looking new for longer.

### Matt Effect Trays

- Simply Clean your tray regularly using warm soapy water and a pan scouring pad.
- If more stubborn cleaning is required use warm soapy water and a 150 grade wet and dry paper.

Take particular care and attention when using scouring pads and wet and dry paper near glass and aluminium to avoid scratches. **DO NOT USE ANY SHARP INSTRUMENTS.**

**IMPORTANT: Do not use any other cleaning products. Propriety cleaning products are not suitable for cleaning low level solid surface shower trays and frequently change formula without notification and therefore cannot be endorsed by us.**

### Some important information to help you Maintain your product.

The following information is all you need to keep your product looking new.

Clean your product using a mild detergent diluted in water and then polished off using a soft cloth.

If you live in a hard water area, periodically clean your product using a 50/50 solution of white vinegar and water. The solution should be left on the enclosure for approximately 5 minutes then rinsed off using warm water. This method of cleaning should remove lime scale residue.

Should you experience any problems during installation please contact Customer Relations on:

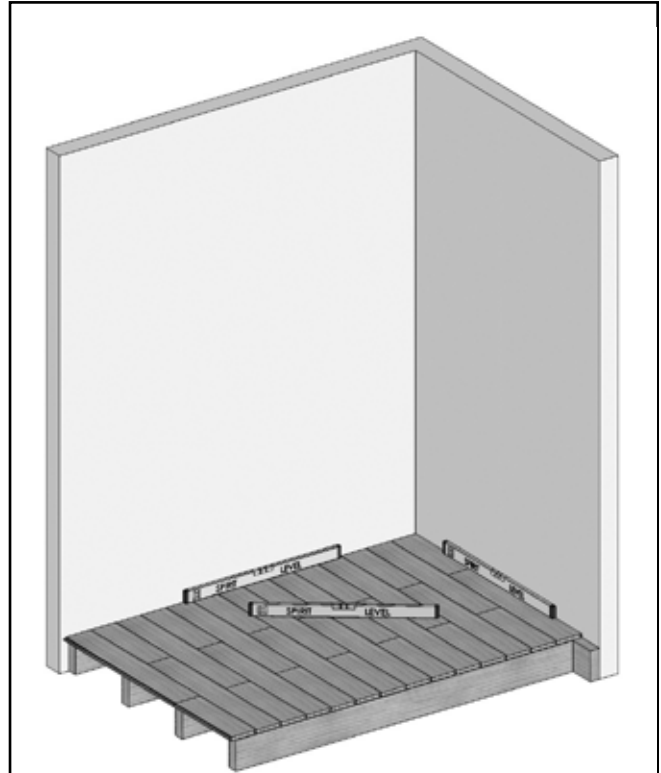
**+44 (0) 1325 328033**

To enable customer relations to provide you with an excellent level of service it is important that you quote your Product Code and Reference Number - these numbers can be found on the guarantee card.

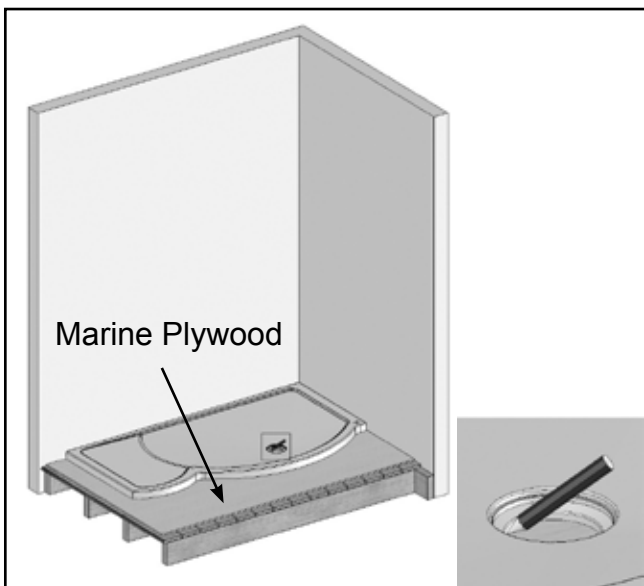
## Installation Procedure A - Direct to Floor

NOTE: The tray shown in the following images is an example only.

1. Prepare the floor on which the tray is to be fitted; ensure that there is adequate clearance for the waste assembly and outflow pipes. Caution should be taken to ensure there is adequate fall on the outflow pipe. High volume showers may require a greater fall.

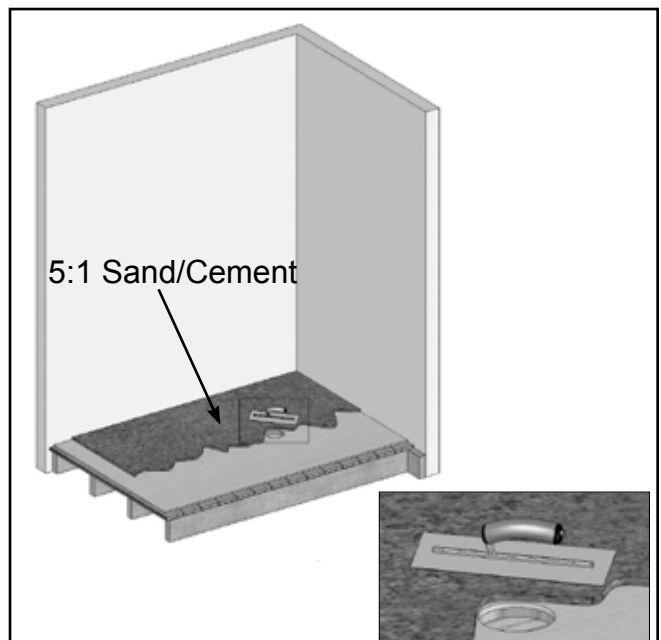


2. Ensure the floor is level (the bubble should be in the centre of the two lines on a spirit level) and free from debris.



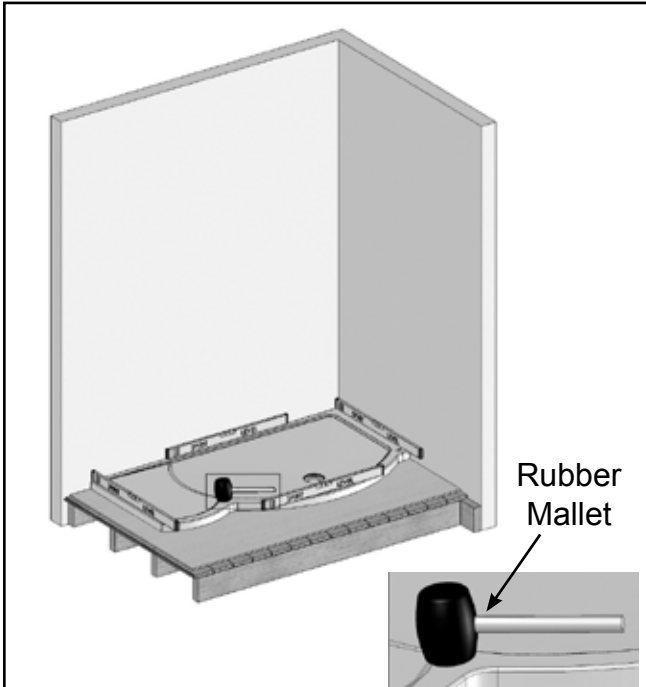
3. Prepare a rigid base of 10mm marine plywood, incorporate a suitable recess or cut out for the waste. Screw-fix the marine plywood to the floor ensuring that the finished base is level and free from debris.

- To cut the hole for the waste lay the tray down into position and draw a line around the inside circumference of the waste hole in the tray, the hole which requires to be cut must be large enough to accommodate the entire waste coupling.



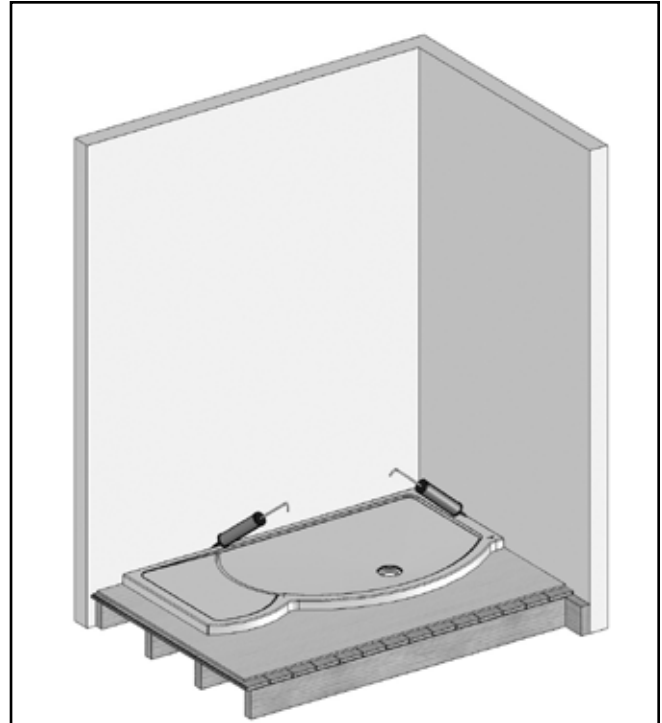
4. The tray must be bedded down on a bed of mortar of a weak 5:1 sand/cement (wet mix), cover the marine plywood with a 15mm depth of weak sand/cement mix. This flattens out any undulations between the floor and tray base.

- **Important Information:** Do not just apply a small number of "dabs" of 5:1 sand/cement mix as this will result in poor support for the tray.

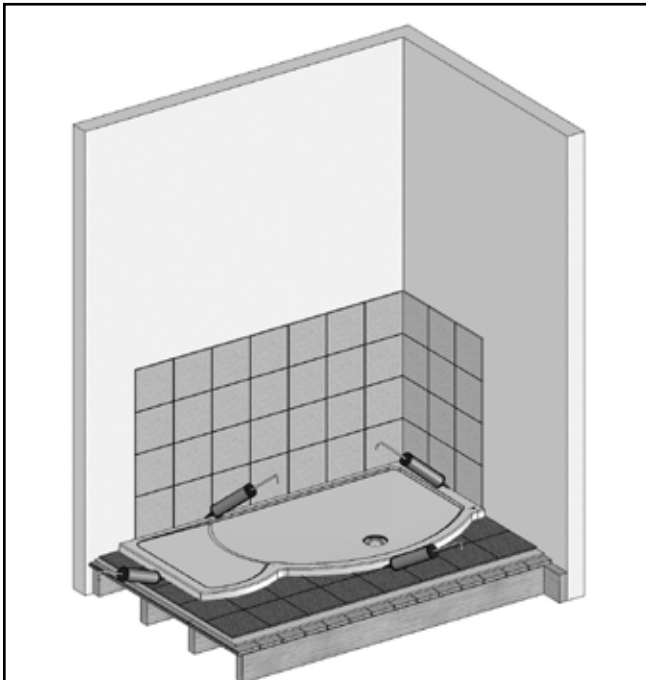


5. Fit the waste to the tray in accordance with the manufacturer's instructions, place the shower tray with the fitted waste onto the cement bed and gently tap the tray into position and then finally level the tray and allow to set.
- You must allow the mortar to set before moving onto the next stage, we recommend 24 hours.

**N.B. Please Clean the tray to remove any excess mortar**



6. When the shower tray is set connect the waste pipe and check all plumbing for leaks. Once you are completely satisfied there are no leaks seal the joints between the tray and wall with a good quality bath room sealant and allow to set.



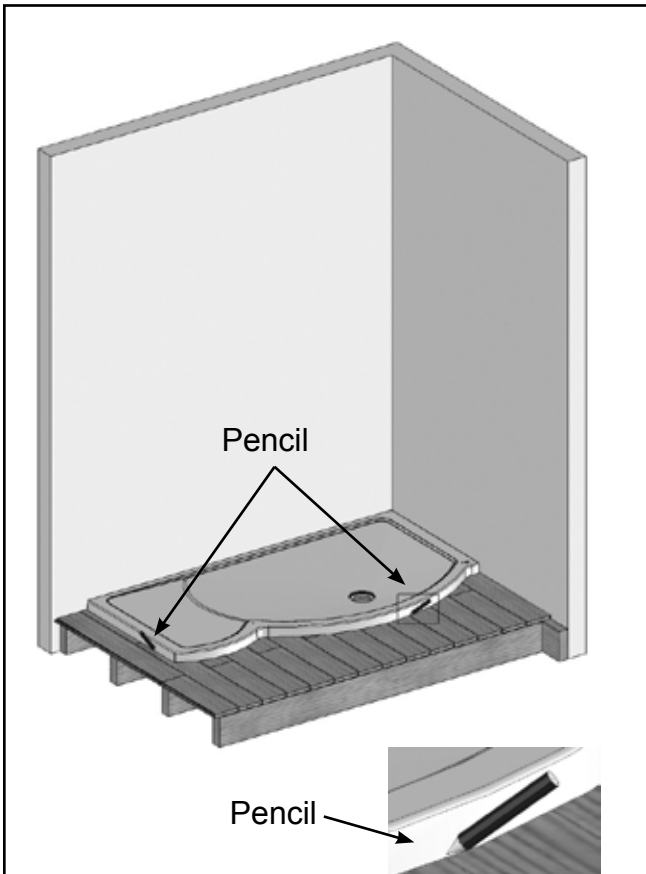
7. The tray should be tiled and grouted at this stage, seal the joints with a good quality bathroom sealant and allow to set.

**IMPORTANT: THE TRAY MUST BE OVERTILED BY A MINIMUM 10mm & A MAXIMUM 25mm.**

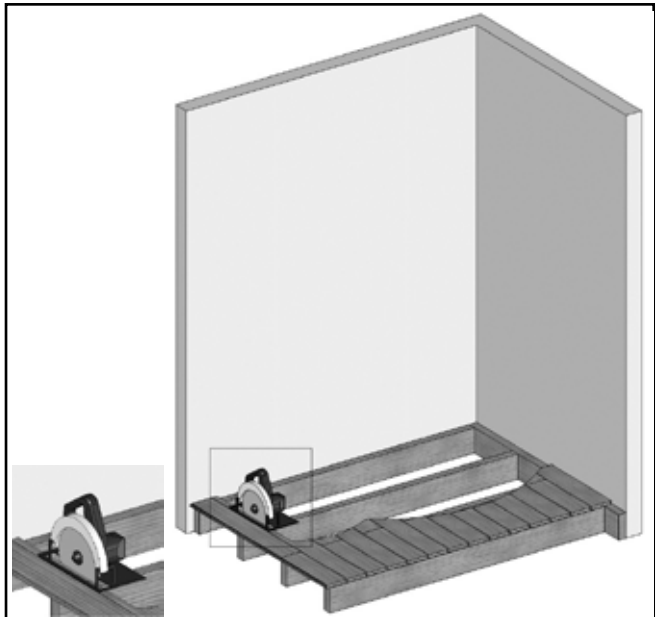
- Prior to commencing installation of the enclosure and once the silicon sealant has set, spray the shower hand set around all joints and check for leaks.

**Note:** Once all of the steps have been completed please refer to the enclosure installation instructions.

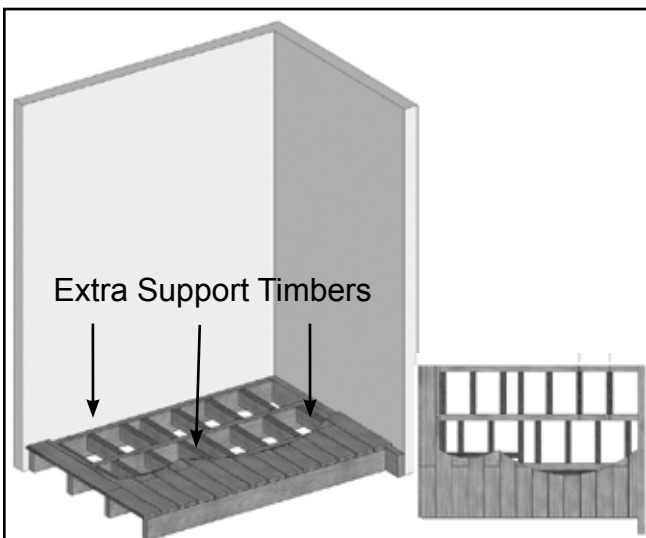
## Installation Procedure B - Sunken Floor Installation



1. Place the tray into position, using a pencil draw the outline of the tray onto the floor boards.



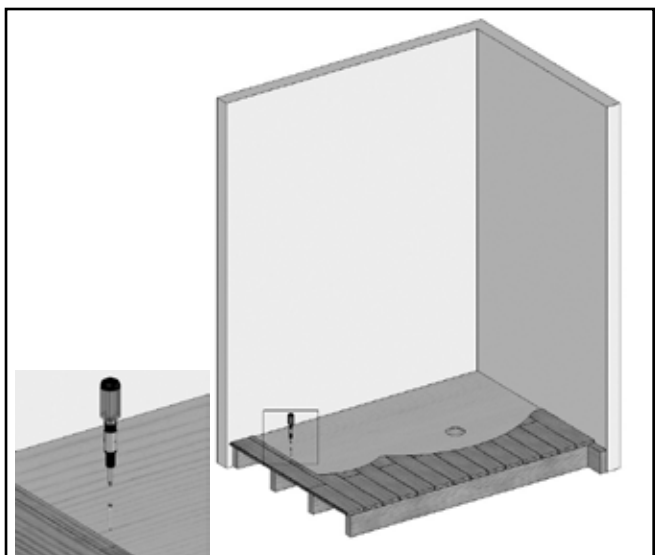
- Note: Put the floor boards which were removed and cut in procedure (b) in a safe place.**



3. Cut extra lengths of timber to fit between the floor joists approximately every 250mm, this will provide additional support. Cut slots in the supporting timbers to allow the waste pipe work to run correctly.

- Ensure the joists and timbers are level - checking both directions using a spirit level (the bubble should be in the centre of the two lines on the spirit level).

*Caution should be taken when cutting through the original Joists, as reinforcement may be required. If in doubt seek professional advice*



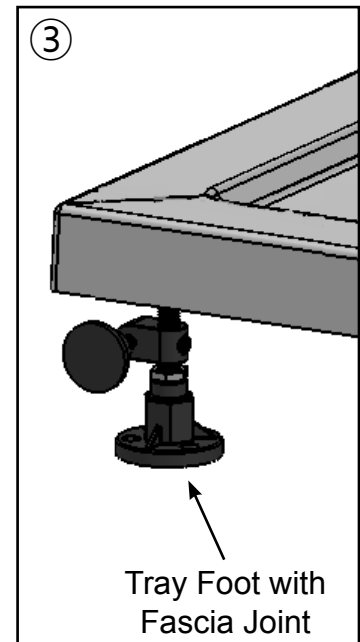
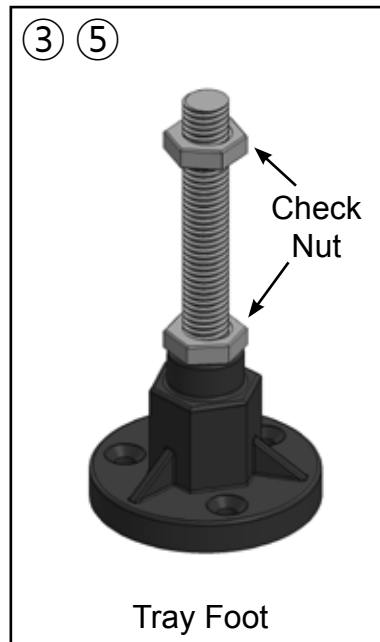
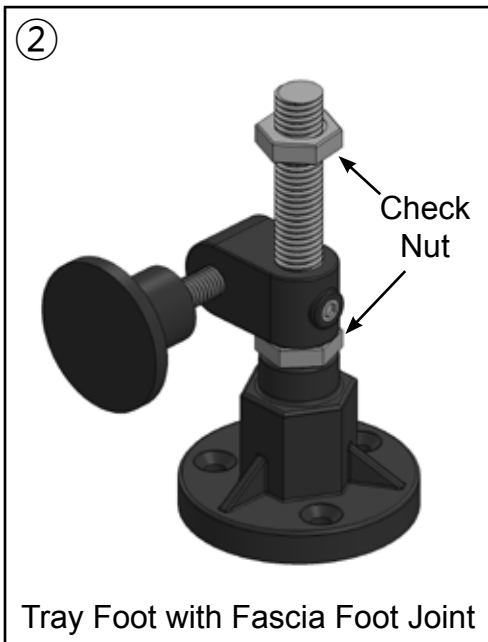
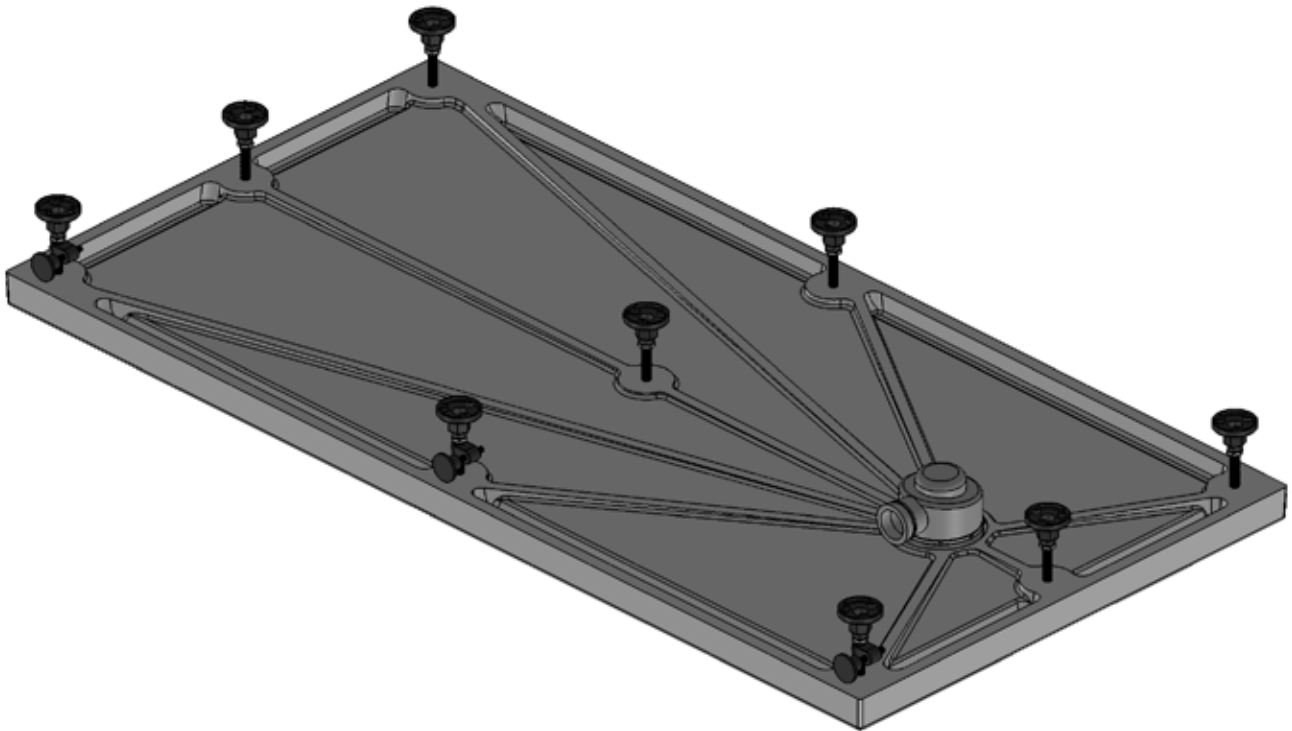
4. Prepare a rigid base of 10mm marine plywood where the tray will be positioned, incorporate a suitable recess or cut out for the waste. Screw-fix the marine plywood to the floor joists ensuring that the finished base is level and free from debris.

- To cut the hole for the waste, lay the tray down into position and draw a line around the inside circumference of the waste hole: (see Step 3 in Installation Procedure A). The hole must be large enough to accommodate the entire waste coupling.

**IMPORTANT: Now follow Steps 4-7 in Installation Procedure A to complete tray installation**

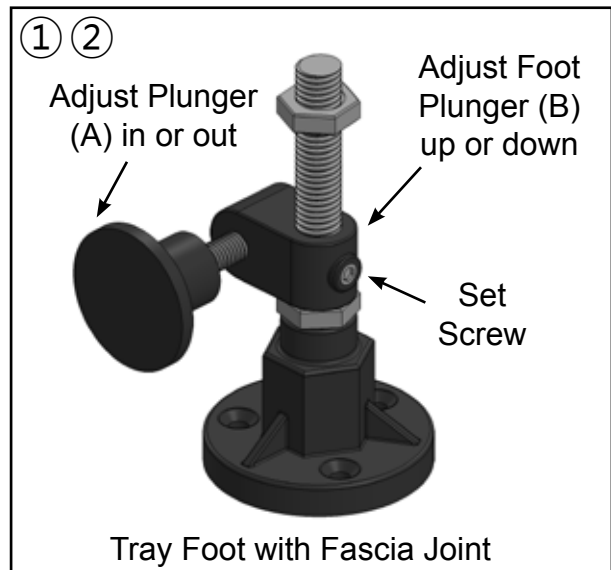
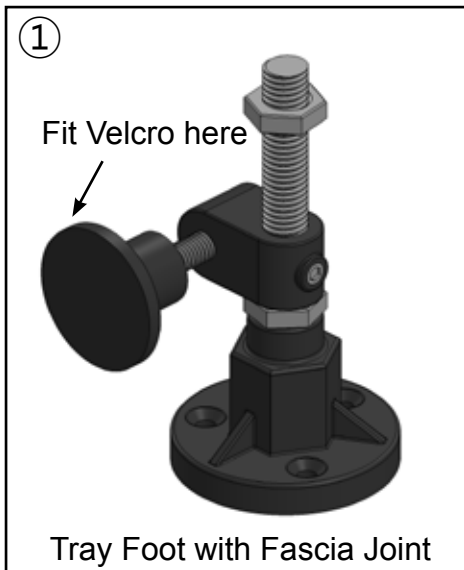
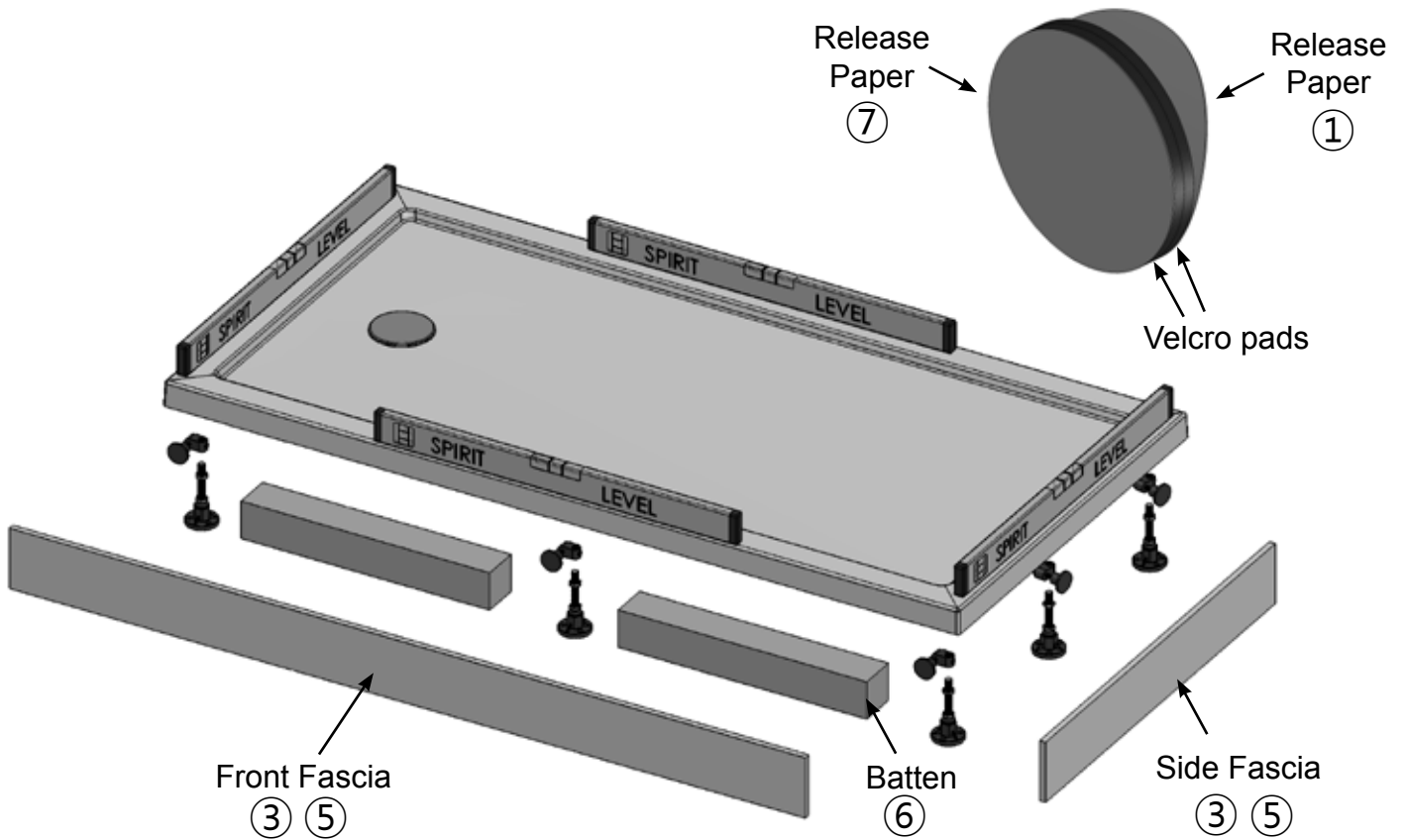
## Installation Procedure C- Foot Installation

**IMPORTANT:** If your tray is going into an Alcove then only 3 Tray Feet need Fascia to Foot Joints adding to them. If your tray is going into a Corner then you will require to fit 6 Fascia to Foot Joints (2 on the Corner Foot).



1. Carefully unpack the shower tray and lay it face down on a dust sheet or similar for protection.
2. Take the Tray Feet and fit the Fascia to Foot Joints to them.
3. Fix all the Tray Feet into the inserts on the back of the tray until they bottom out, tighten the check nut onto the tray. The feet should be set at 100mm from the back of the tray to give a total height of 150mm (tray + feet).
4. Place the tray in position and adjust the Tray Feet. Ensure the tray is completely level all around using Spirit Levels.
5. When adjusted tighten the other check nut onto the circular feet.
6. Make all the plumbing connections and screw down accessible legs.

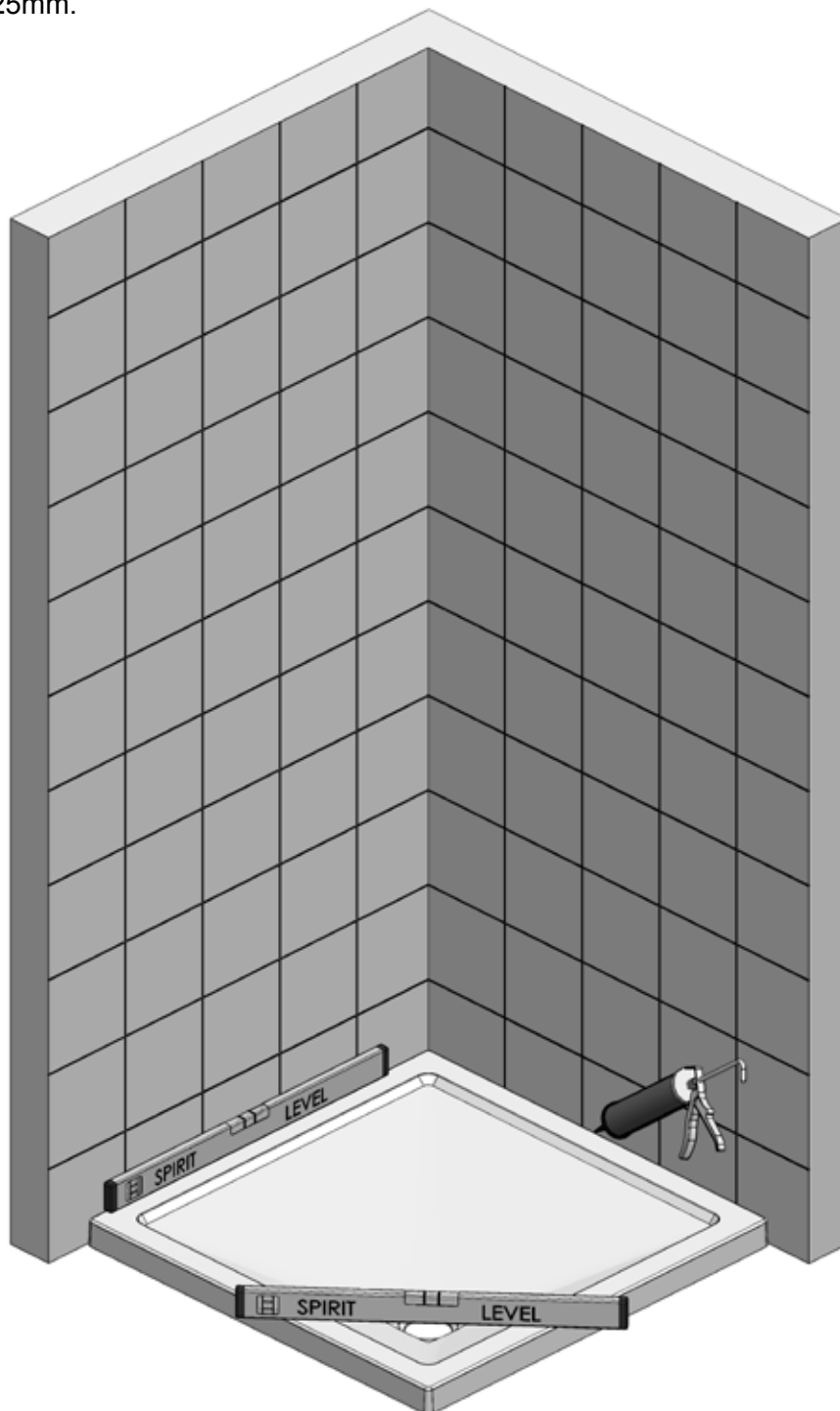
## Fascia Fitting



1. Keep the Velcro discs in pairs, remove the Release Paper from one side only then attach both to Plunger (A). Do this for all Fascia to Foot Joints.
2. Adjust Foot Plunger (B) to the desired height then tighten the Set Screw.
3. Cut the Fascias to length to suit the tray.
4. Measure the distance from the floor to the underside of the tray and carefully cut the Fascias to these dimensions.
  - **IMPORTANT: You can use a fine-tooth circular saw or jigsaw to cut the Corian fascia's, a carbide blade is recommended, using masking tape on the Corian will reduce splintering. Another good tool for cutting Corian is a heavy duty router with a straight bit and a fence, cut in several passes for the safest cleanest cut. For small cuts you may find a belt sander with a 50 grit sandpaper will work down 3mm to 9mm fairly quickly and with more accuracy than cutting. This is a particularly useful technique if you have an uneven floor that you must accommodate.**
5. Place the Fascias up to the tray, adjust the Plungers (A) in or out until the Fascias are vertical and flush with the tray.
6. A small batten (not supplied) should be fitted to support the base of the Fascia, this is to prevent the bottom of the Fascia from being pushed in.
7. When the Fascias are adjusted remove the Release Paper from the other Velcro pads. Position the Fascias up to the tray then press firmly into place onto the Velcro pads.

## Pre-Installation Checks

**IMPORTANT:** Before fitting the enclosure you must ensure the tray is tiled over by a minimum of 10mm and ***MUST NOT*** exceed 25mm.



1. Check the tray is level on all sides (the bubble on the spirit level must be in the centre of the 2 lines).
2. Stand in the tray and check that there is no adverse movement (correct if necessary).
  - **Please ensure the tray is installed as per the manufacturer's instructions.**
3. Using a Bathroom Sealant, seal the tray fully along the tiled walls prior to installing your product.
  - **Prior to fitting the enclosure spray the seal the joints with the shower head and check for leaks when the silicon has cured.**
  - **Check the plumbing for leaks.**
  - **DO NOT plasterboard over the tray.**
  - **DO NOT grout the tiles when the enclosure has been fitted, the grout may discolour the aluminium profiles.**
  - **When all of the above has been completed please refer to the products instruction manual.**



