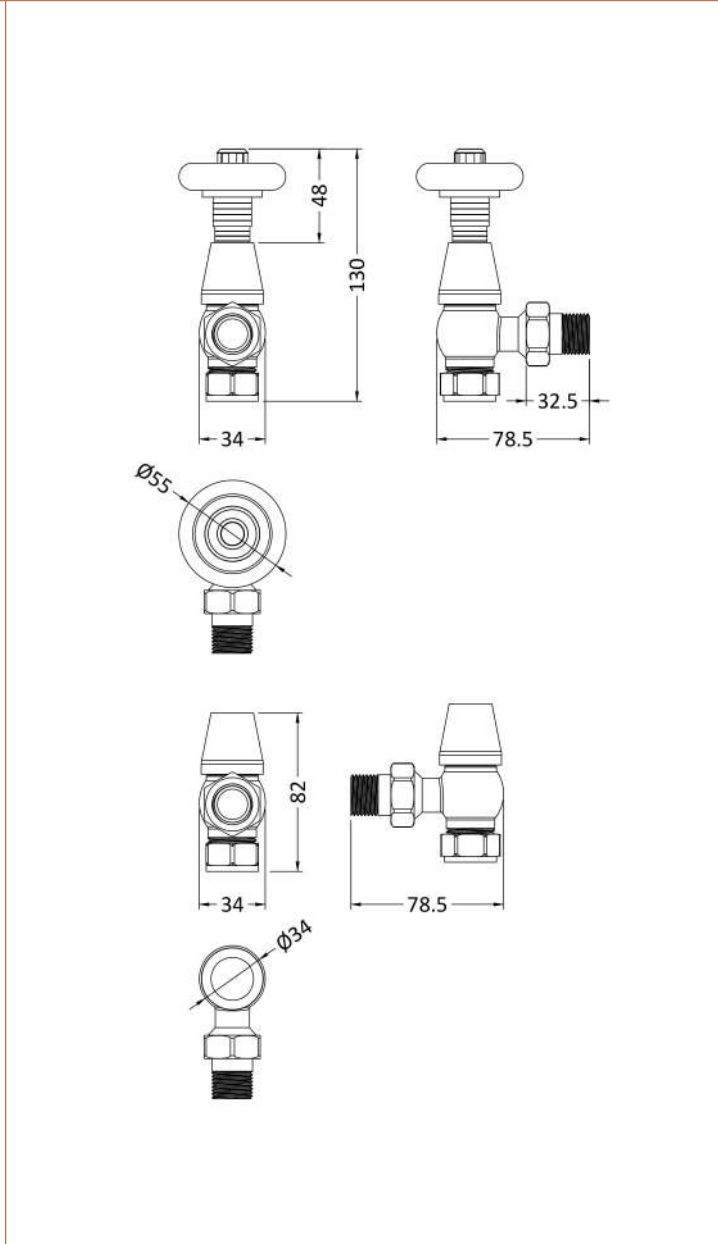


Sales Code: RV201

Description: Chelsea Angled Thermo Rad Valve & Locksh



Product Dimensions

Height (mm):	0
Width (mm):	0
Depth (mm):	0
Length (mm):	0
Nett Weight (kg):	0.83

Packaging Dimensions

Height (mm):	185
Width (mm):	145
Length (mm):	85
Gross Weight (kg):	0.83

Packaging Data

Box Colour:	White Cardboard Box
Box Qty:	0
Label Size:	0 x 0
Label Colour:	White Label
Label Qty:	0

Outer Box Dimensions (If Applicable)

Height (mm):	
Width (mm):	
Length (mm):	
Gross Weight (kg):	
Barcode:	5055275862360

Product Details

Country of Origin:	United Kingdom		
Fitting Instruction:	Yes		
Certification:	CE & UKCA: N/A	RoHS: N/A	WEEE: No
Colour/Finish:	Antique Brass		
RAL No:	N/A		
Product Material:	Brass		
Heat Element Wattage:	Not Applicable		
Heating Element Wattage Compatible:	N/A		
BTU Outputs:	30°C / N/A	50°C / N/A	60°C /
Thermal Outputs: (Watts)	30°C / N/A	50°C / N/A	60°C /
Pipe Centres - If Vertical:	N/A		
Pipe Centres - If Horizontal:	N/A		
Max Projection:	80mm		
Tube Diameter:	15mm		
Packaging Volume (L):	N/A		
Wall to Centre of Tappings:	N/A		
Floor to Centre of Tappings:	N/A		
Dual Fuel:	N/A		
IP Rating:			