

BRISTAN

TAPS & SHOWERS

Installation Instructions & User Guide

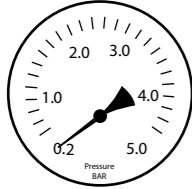
Please leave these instructions with the end user

Product Code: R 1/2 CH (D2)

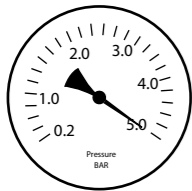
Specifications

Dynamic Water Pressure (bar)

Min: 0.2 bar

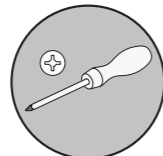
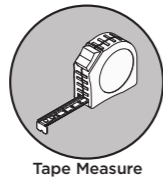


Max: 5.0 bar

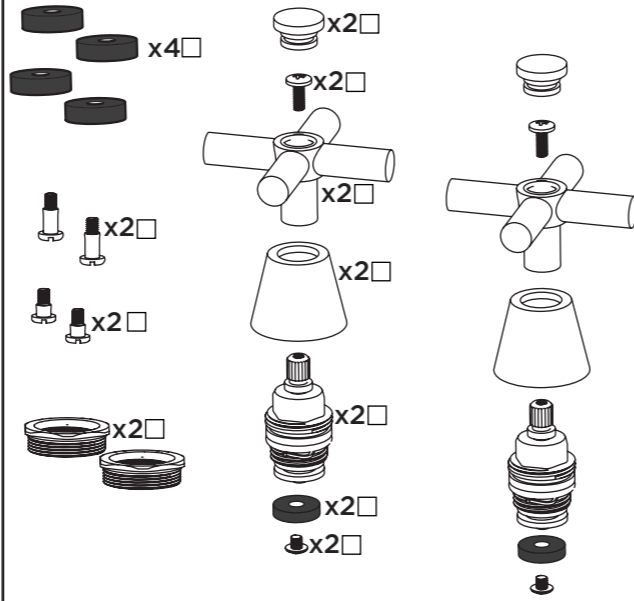


Maximum Static Pressure: 10.0 bar

Tools You'll Need



Pack Contents



Prior to Installation

All products manufactured and supplied by Bristan are safe provided they are installed, used correctly and receive regular maintenance in accordance with these instructions.

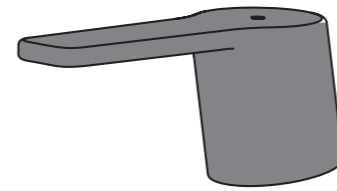
This product has been tested to the Water Regulations Advisory Scheme (WRAS) and satisfies the requirements of the Water Supply (Water Fittings) Regulations 1999 and current bylaws.

The replacement handles have a high quality finish and should be treated with care to preserve the visible surfaces.

All surface finishes will wear if not cleaned correctly, the only safe way to clean them mixer is to wipe with a soft damp cloth. Stains can be removed using washing up liquid. All bath cleaning powders and liquids will damage the surface finish even the non-scratch cleaners.

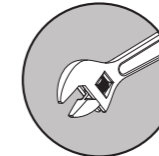
This product must not be modified in anyway as this will invalidate the guarantee.

Installation



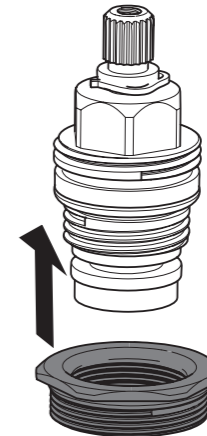
Remove the existing handles and valves.

IMPORTANT
Ensure you isolate water supply



Insert Selection

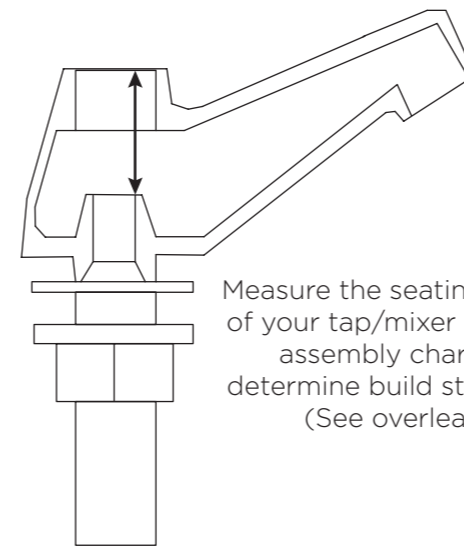
Insert the valve from the kit, if the thread fits follow the assembly chart on 1/2" 5412. See overleaf for chart.



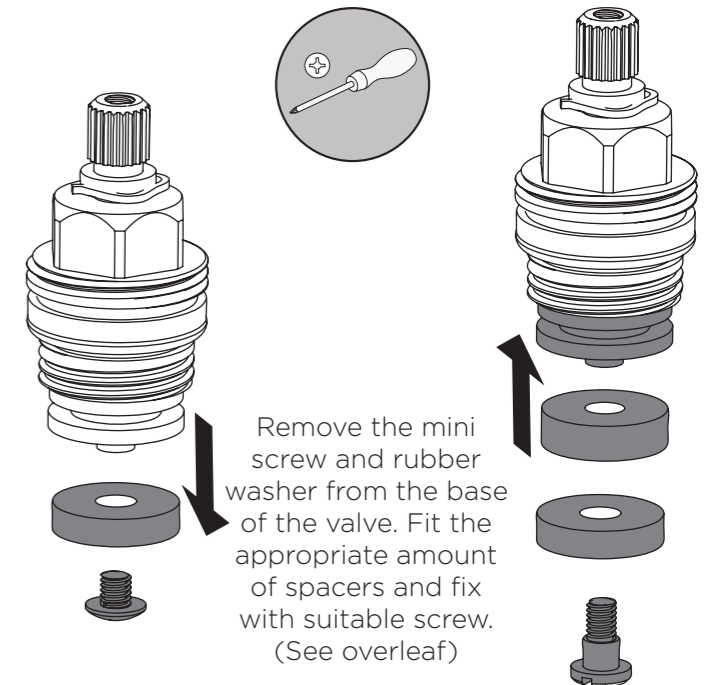
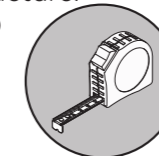
If the thread in body is larger then fit the 1/2" 1010 tap insert and follow assembly chart on 1/2" 1010 section.

IMPORTANT
Ensure the tap insert is screwed right to the top of the valve body.

Spacer/Screw Selection



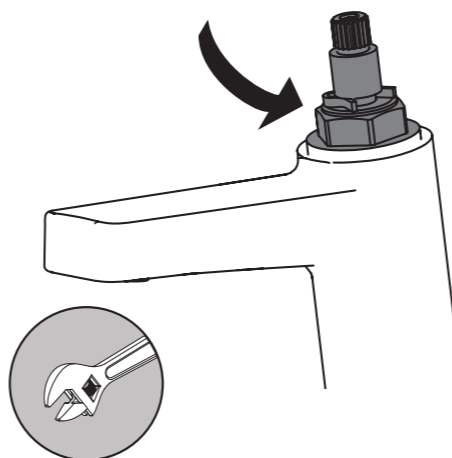
Measure the seating depth of your tap/mixer and see assembly chart to determine build structure. (See overleaf)



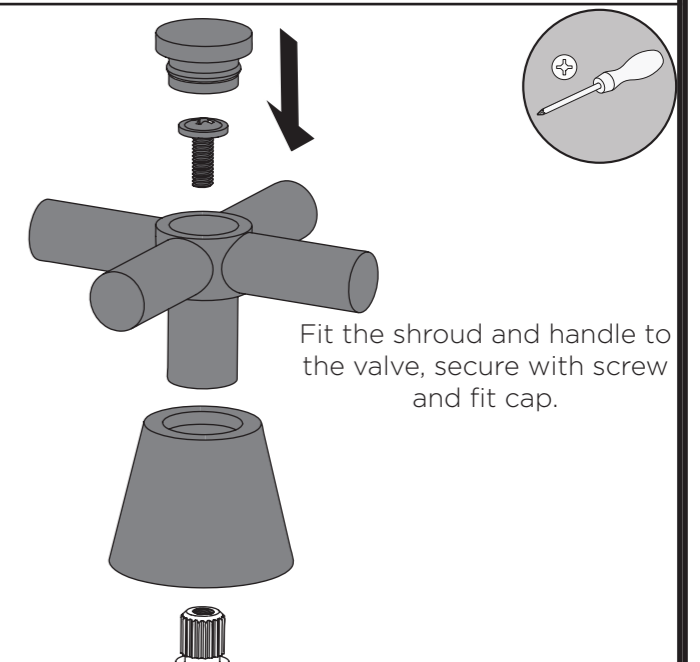
Remove the mini screw and rubber washer from the base of the valve. Fit the appropriate amount of spacers and fix with suitable screw. (See overleaf)

Installation Continued

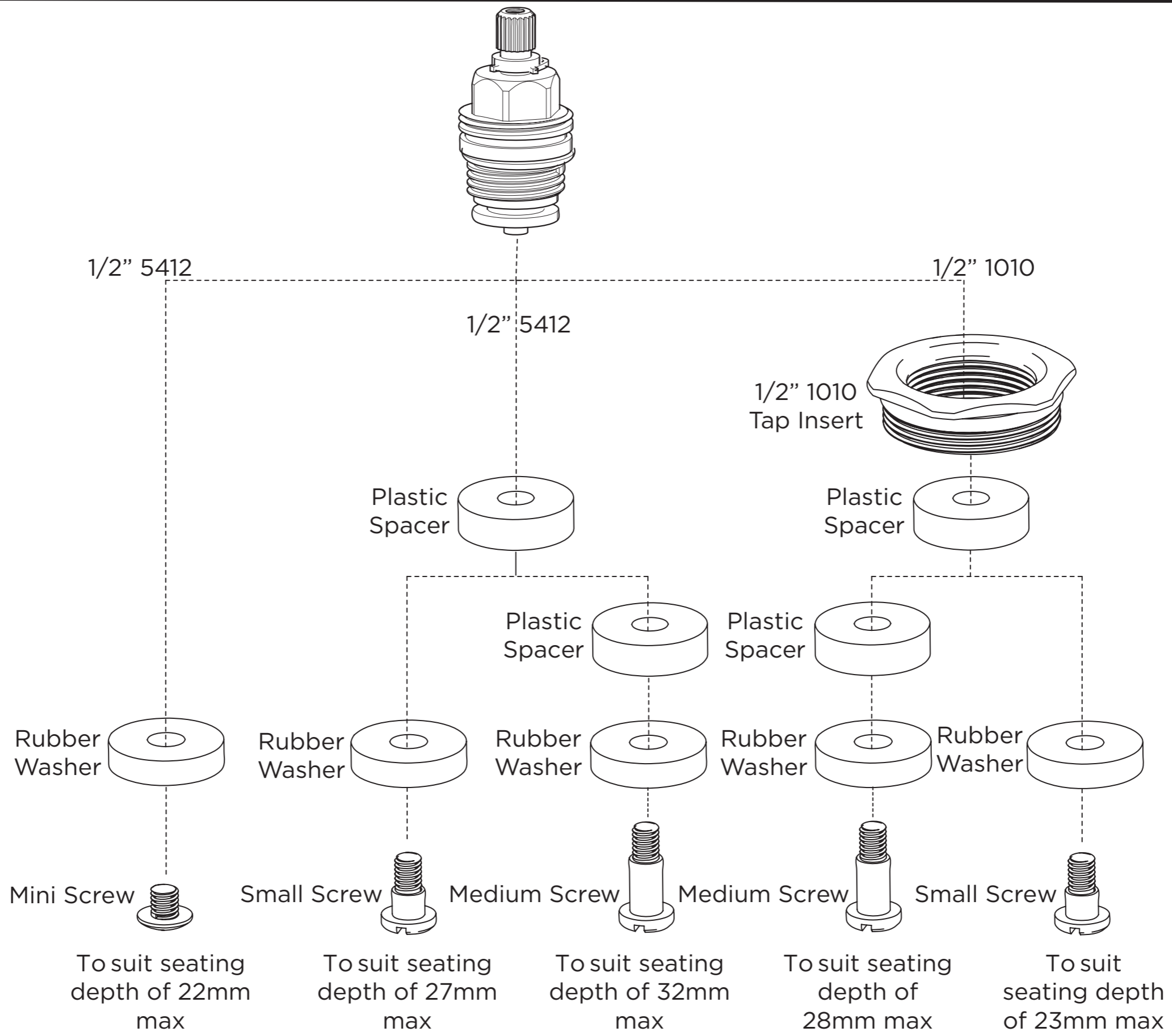
Tighten the valve into the tap body.



IMPORTANT
Do not over-tighten



Fit the shroud and handle to the valve, secure with screw and fit cap.



At Bristan, we want to make things as easy as possible for our customers. That's why we offer solid guarantees on all our products, effective from the date of purchase, to give you peace of mind.

To start your free guarantee simply scan the QR code and register your product. Alternatively visit www.bristan.com/register.

For any other queries, please call our Customer Service on 0330 026 6273 where our expert team of advisors will be able to offer you any help and advice.

For full guarantee terms and conditions visit www.bristan.com/guarantees.



We Know & We Care