

Electric Towel Rail

Installation Guide



VELINO

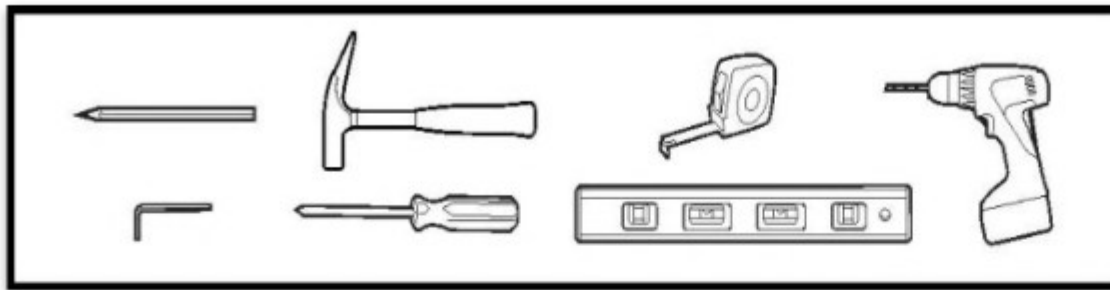
Please read this instruction carefully before installation and operation.



Warning: This device must be installed by a licensed electrician.

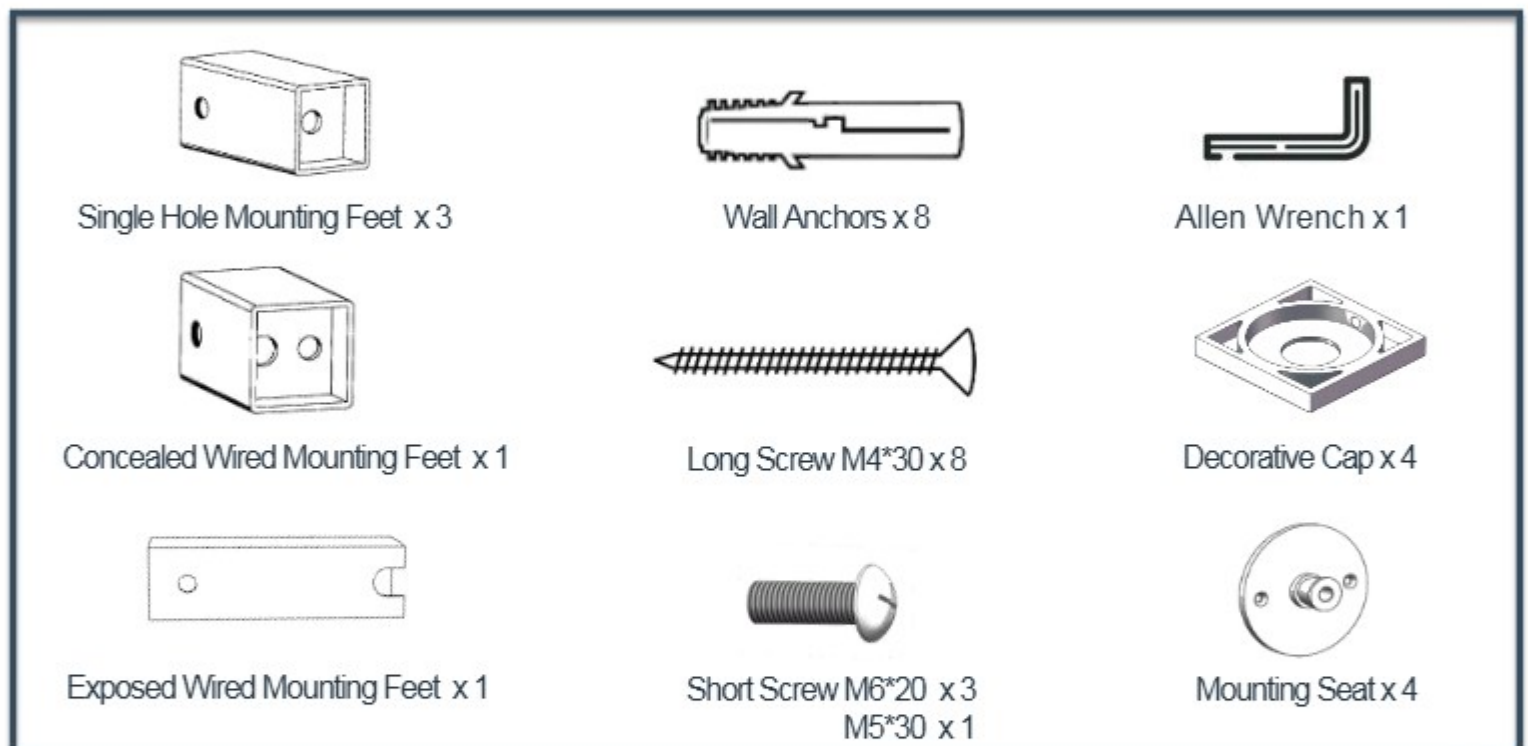
- This Towel Rail is not intended for use by persons (including children) with reduced physical, sensory or mental capabilities, or lack of experience and knowledge, unless they have been given supervision or instruction concerning use of the Towel Rail by a person responsible for their safety.
- In order to avoid a hazard, this Towel Rail must be installed so that the bottom rail is at least 600mm above the floor.
- This Towel Rail is intended to warm and dry towels and therefore is hot to the touch.
- The towel rail is to be installed so that switches and other controls cannot be touched by a person in the bath or shower.
- To avoid a hazard this towel rail must not be used to hold towels or any other articles that have been in contact with oil, petroleum based products or dry cleaning fluids.
- Use this Towel Rail only with the voltage specified on the rating label.
- Do not immerse in liquid or allow liquid to run into the interior of the Towel Rail. Indoor use only.
- Do not operate this towel rail if damaged or after the Towel Rail malfunctions or has been dropped or damaged in any manner. Return to a qualified electrical person for examination, electrical service or repair.
- Use this Towel Rail only as described in this manual. Any other use is not recommended by the manufacturer and may cause fire, electrical shock or injury.
- Do not use this Towel Rail in a window as rain may cause electric shock.

TOOLS REQUIRED



- Pencil
- Hammer
- Measuring Tape
- Hex key
- Screw driver
- Spirit level
- Electric drill

ACCESSORIES



Single Hole Mounting Feet x 3

Wall Anchors x 8

Allen Wrench x 1

Concealed Wired Mounting Feet x 1

Long Screw M4*30 x 8

Decorative Cap x 4

Exposed Wired Mounting Feet x 1

Short Screw M6*20 x 3
M5*30 x 1

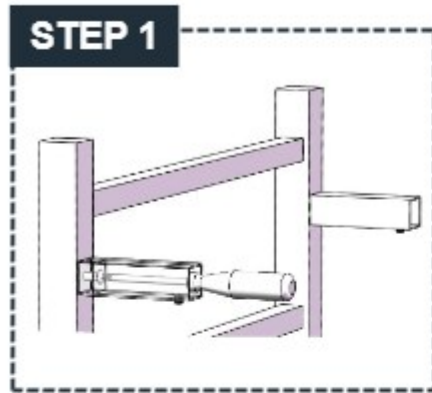
Mounting Seat x 4

TECHNICAL SPECIFICATIONS

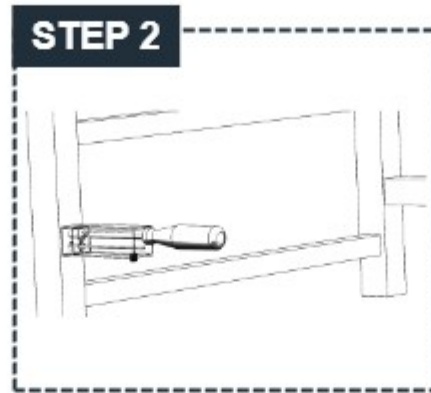
Code	Size	Color	Power	Voltage
EVLN080	800*500mm	Polished/Brushed Brass /Brushed Gun metal/Black	105W	230VAC,50HZ
EVLN120	1200*500mm	Polished/Brushed Brass /Brushed Gun metal/Black	170W	230VAC,50HZ

Please follow the below installation steps to complete the towel rail installation.

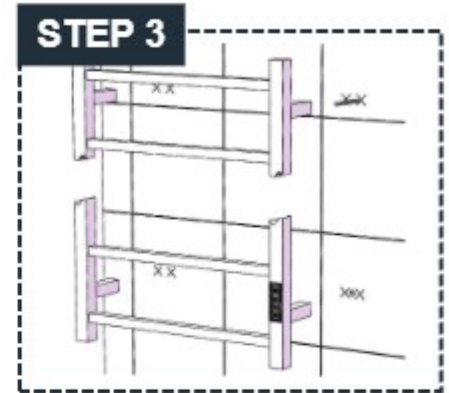
CONCEALED WIRING INSTALLATION



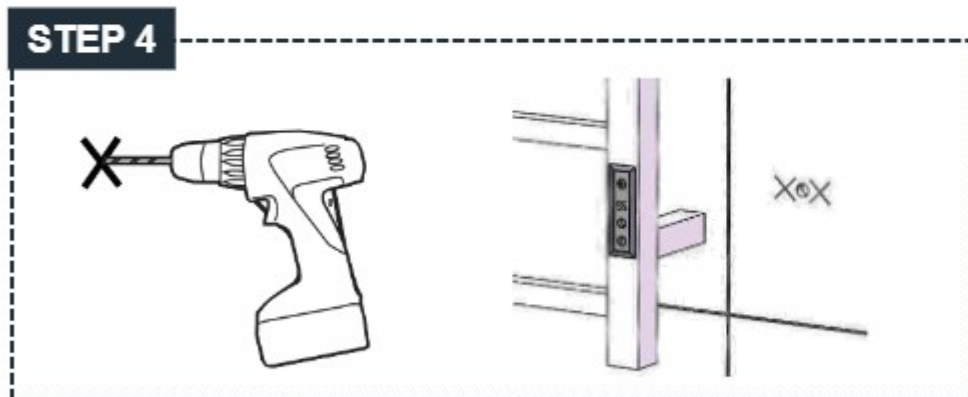
STEP 1: Fix three single-hole mounting feet to the threaded holes on the vertical tubes, then use a screwdriver to tighten the M6*20 mounting screws.



STEP 2: Thread the power cable through the concealed wired mounting feet and use the M5*30 screw to secure the mounting feet to the vertical tube of the towel rail.



STEP 3: Select the desired position, then utilize a measuring tape to determine the distance between the center points of each wall bracket tube, and mark the location with a pencil.



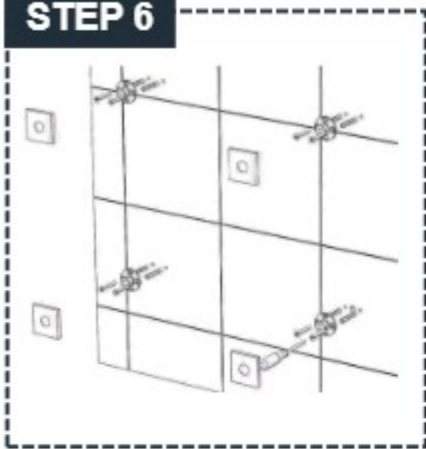
STEP 4: Make the holes with an electric driller; Be sure to drill a hole for the core cable going from the leg to the wall on the right lower mounting feet.



STEP 5: Use a hammer to knock plastic wall anchors into wall completely.

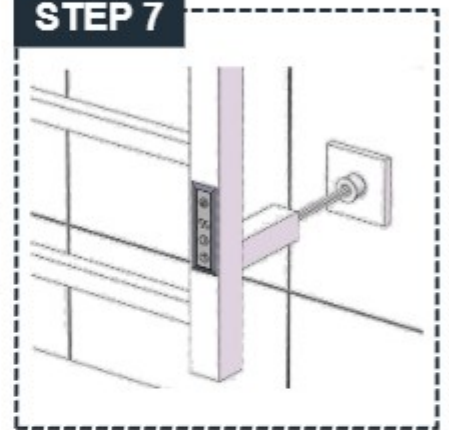
CONCEALED WIRING INSTALLATION

STEP 6



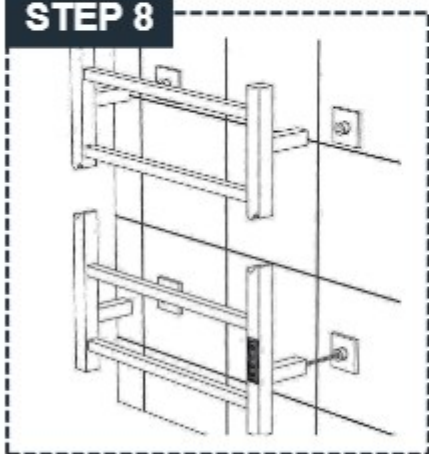
STEP 6: Insert the long screws through the mounting seats and then secure them into the plastic wall anchors with a electric drill. Place the decorative caps onto the mounting seats and tighten them.

STEP 7



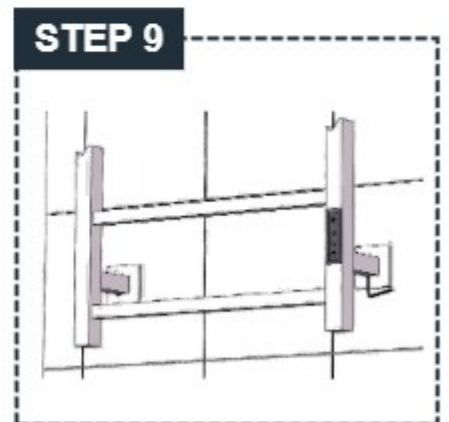
STEP 7: Connect the core wire from the leg to the power wire inside the wall.

STEP 8



STEP 8: Lie the towel rail against the mounting seats fixed on the wall.

STEP 9

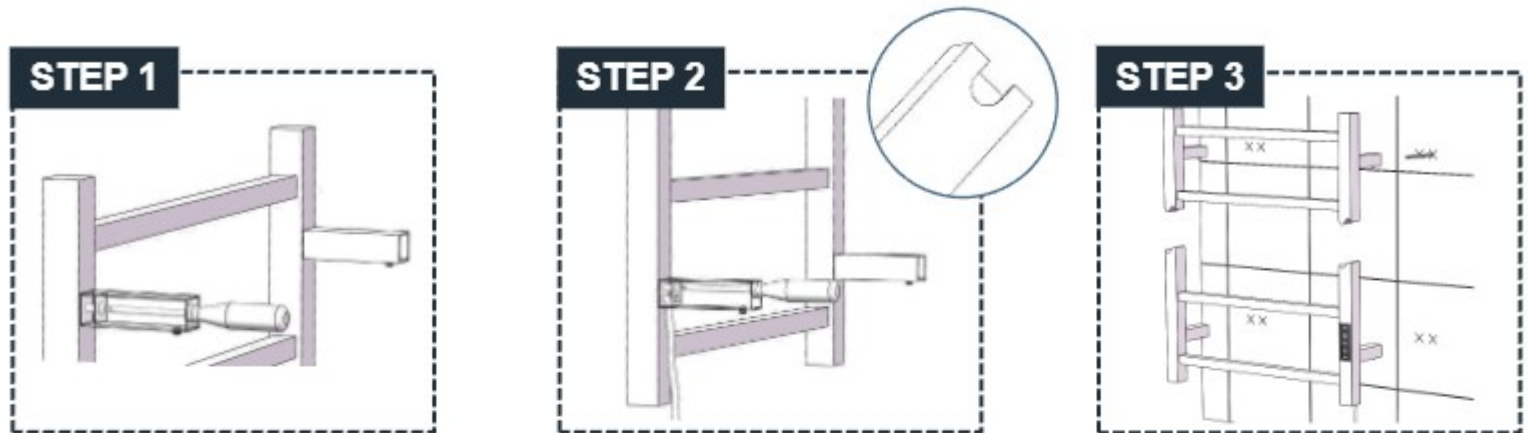


STEP 9: Use the Allen wrench to install the hex screws into the holes of all the tubes to complete the installation.



Warning: To prevent potential safety hazards, it is recommended that grounding and short circuit measurements be performed after installation of the device. This should be done by a licensed electrician.

EXPOSED WIRING INSTALLATION



STEP 1: Fix three single-hole mounting feet to the threaded holes on the vertical tubes, then use a screwdriver to tighten the M6*20 mounting screws.

STEP 2: Thread the power cable through the notch under the exposed wired mounting feet and use the M5*30 screw to secure the mounting feet to the vertical tube of the towel rail.

STEP 3: Select the desired position, then utilize a measuring tape to determine the distance between the center points of each wall bracket tube, and mark the location with a pencil.



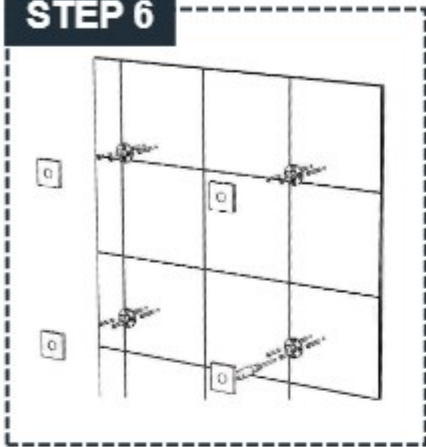
STEP 4: Make the holes with an electric driller.



STEP 5: Use a hammer to knock plastic wall anchors into wall completely.

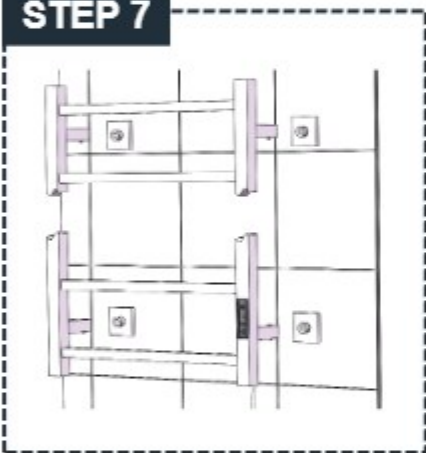
EXPOSED WIRING INSTALLATION

STEP 6



STEP 6: Insert the long screws through the mounting seats and then secure them into the plastic wall anchors with a electric drill. Place the decorative caps onto the mounting seats and tighten them.

STEP 7



STEP 7: Lie the towel rail against the mounting seats fixed on the wall.

STEP 8

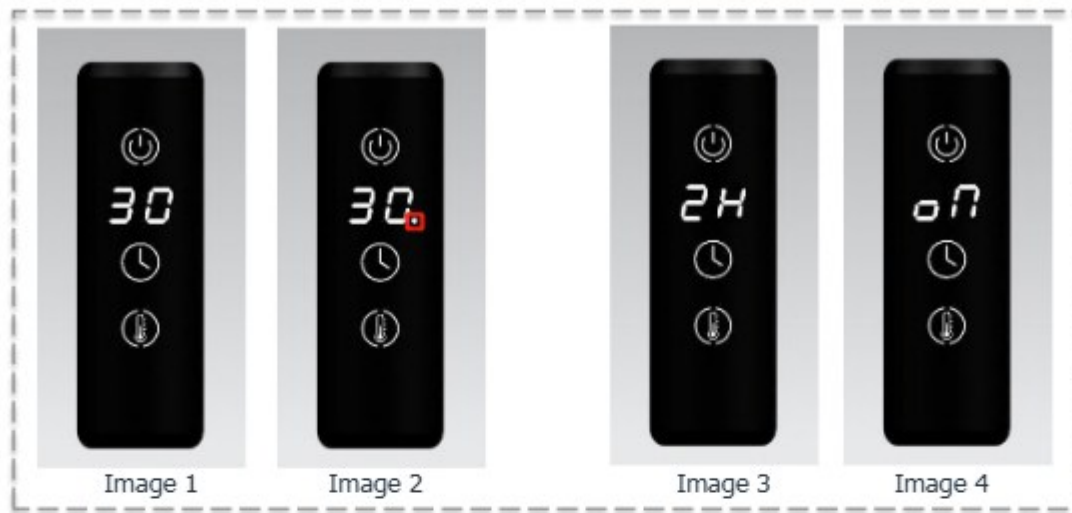


STEP 8: Use the Allen wrench to install the hex screws into the holes of all the tubes to complete the installation.





Warning: To prevent potential safety hazards, it is recommended that grounding and short circuit measurements be performed after installation of the device. This should be done by a licensed electrician.

HOW TO USE THE TIMER ON THE TOWEL RAIL?



Heating Mode



- Connect the device to power.
- Press the  button to switch on the controller.
- Use the  button to select the desired temperature within the range of 30-60°C, in 5°C increments. (refer to Image 1).

Once the temperature is set, the controller will enter a working state if there's no operation for 3 seconds, indicated by the steady temperature indicator.

During heating, a flashing dot will appear in the bottom right corner of the set temperature (Image 2). Once the unit reaches the preset temperature, the dot will disappear, and heating will pause until the temperature decreases.

If the temperature drops below a certain level, the thermostat will automatically activate to maintain a constant temperature, and the flashing dot will reappear.

Timer Mode

After selecting the desired temperature, simply press the  button to adjust the hours according to your preference. The available range spans from 1 to 8 hours, adjustable in 1-hour increments (refer to Image 3). Once it reaches the Max limit of 8 hours, pressing the  button again will display 'oN' (as shown in Image 4), indicating the device will maintain consistent operation for a full 24-hour cycle, with no restrictions on heating time.

Upon setting the desired time, the controller will enter a working state if there's no operation for 3 seconds, indicated by the steady hour indicator. During heating, a flashing dot will appear in the bottom right corner of the set hours. Once the unit reaches the preset temperature, the dot will disappear, and heating will pause until the temperature decreases. Once the predetermined time elapses, the device will shut down and automatically switch off.