

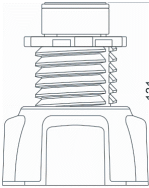
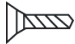



Riser Kit

Installation Instructions

Parts Supplied

Ref	Description	Illustration	Qty
A	1200/1700mm Universal Straight Panels		2
A1	Universal Curved Quad Panel*	 <small>*If your tray is a Quadrant, you will receive one panel</small>	1
B	Adjustable feet		Kit A-6 Kit B-8 Kit C-8 Kit D-5 Kit E-6
E	Screws		36
G	Panel Clips		4

Before You Start

- We always recommend that a technically competent installer undertakes the installation.
 - These installation instructions MUST be read in conjunction with all instructions supplied with your chosen shower tray.
 - Check the pack and ensure you have all of the parts listed and that this kit is compatible with your chosen shower tray.
 - **Note: If in doubt contact your supplier who will be able to help you.**
-
- When you are ready to start, make sure that you have the right tools and materials to hand with plenty of space and a clean dry area for assembly.

Tools and Materials Required (not supplied)

- Cross-Head Screw Driver
- Sharp Knife and or Mitre Saw
- Spirit Level
- Pipework and fittings as required
- Silicone Sealant and Silicone Cleaning Solvent
- Tape measure
- Marker Pen

N.B. The company reserves the right to change specification or withdraw products from this instruction without prior notice being given.

Foot positioning

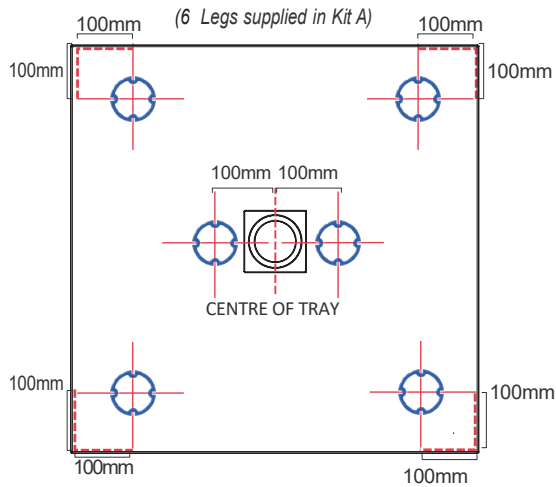
- 1 Place the shower tray in position on the floor. Draw around the waste and outer edge with a pencil or marker. Ensure there is no movement in the flooring under each leg. Add noggins between floor joists if necessary (failure to do so may result in the tray cracking).
- 2 Using your relevant 'Kit' diagram on the next 2 pages, mark out the positions of each leg on the floor.
- 3 Screw each leg to the floor.
- 4 Using a long spirit level, align each leg level with the others. Adjust the height by turning the rotating cog on the leg.
- 5 Place the tray in position on the legs, ensuring that each leg is fully supporting the base of the tray. Using a long spirit level, check that the tray is level. Adjust legs by turning the rotating cog on the leg (failure to do so may lead to the tray cracking).
- 6 Finalise all plumbing (using a professional) and fit the fascia panels, locating them into place with the floor mounted clips.

DISCLAIMER:

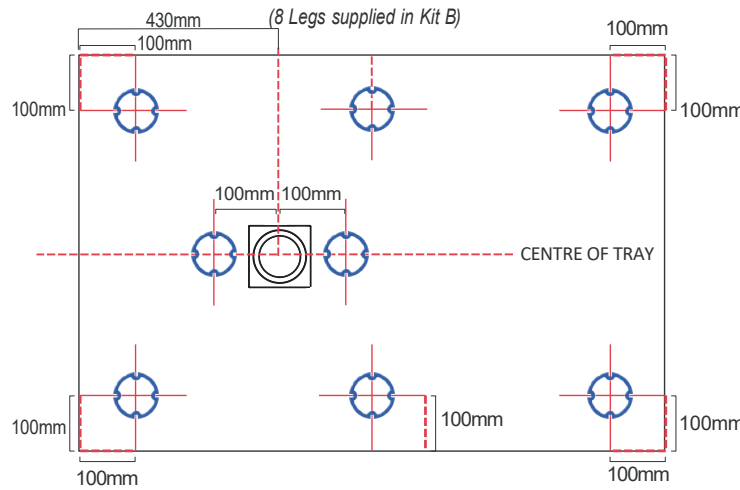
When fitting, ensure that each leg is correctly positioned as shown in the relevant diagram. Liability will not be accepted for any tray that has been incorrectly installed.

FITTING KIT ADVANCE INSTRUCTIONS - TECHNICAL DRAWINGS

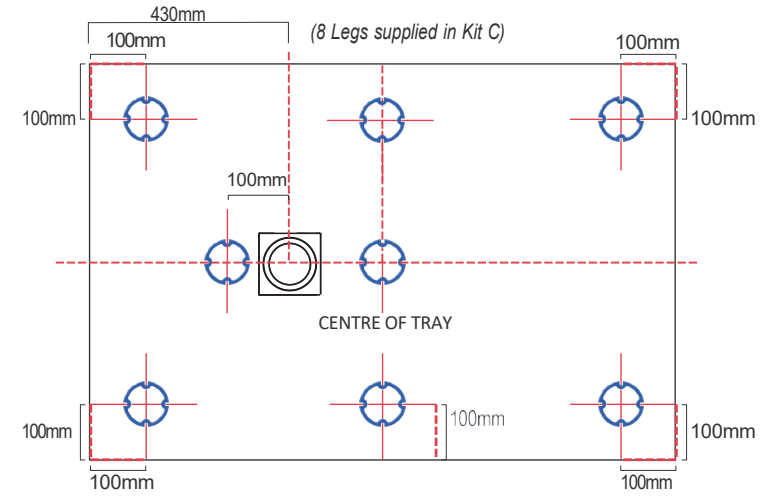
KIT A 760mm - 900mm



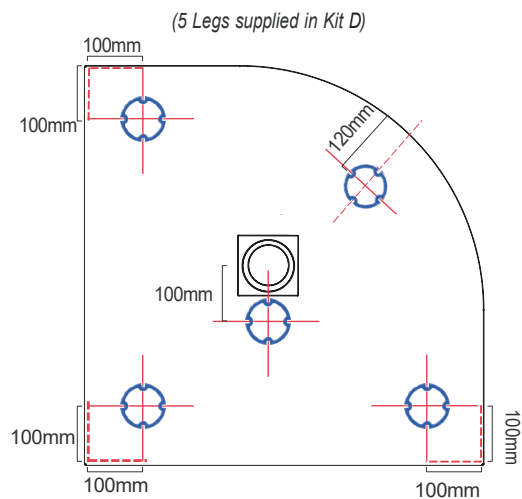
KIT B 1000mm - 1200mm



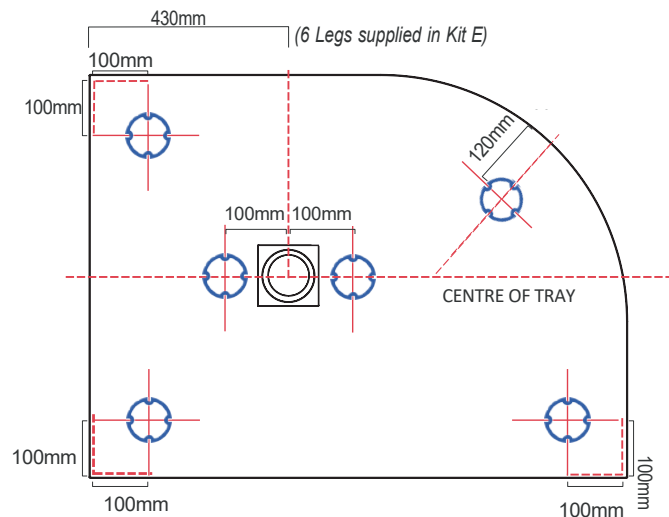
KIT C 1300mm - 1700mm



KIT D 800mm & 900mm Quad



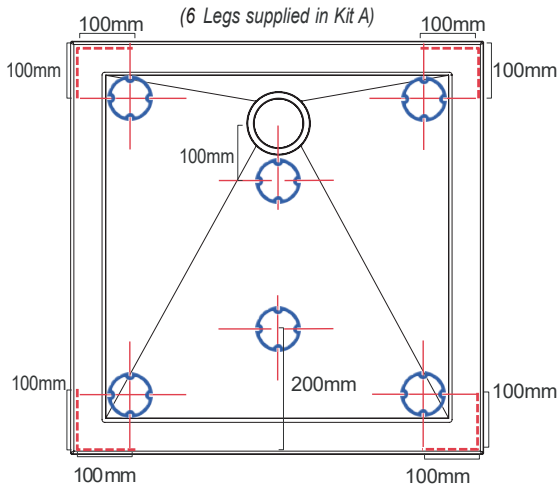
KIT E 1000 x 800mm
Up to 1200 x 900mm
Offset
Quad



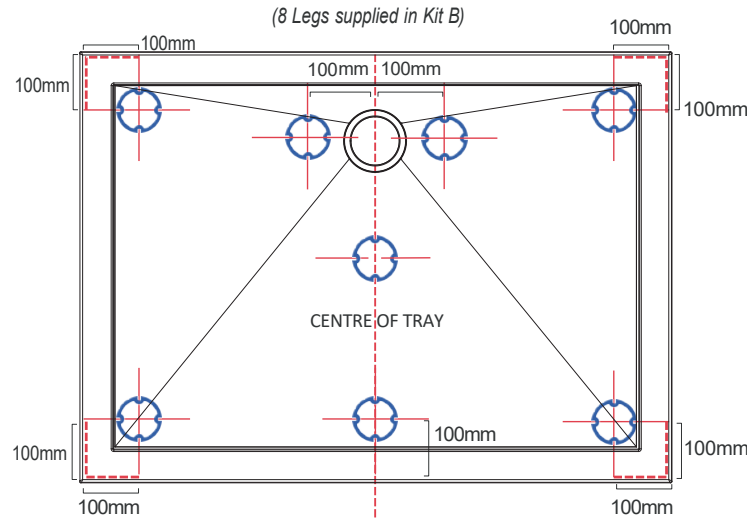
 = Essential leg positional guides
(Ensure correct positions/measurements)

FITTING KIT ADVANCE INSTRUCTIONS - TECHNICAL DRAWINGS

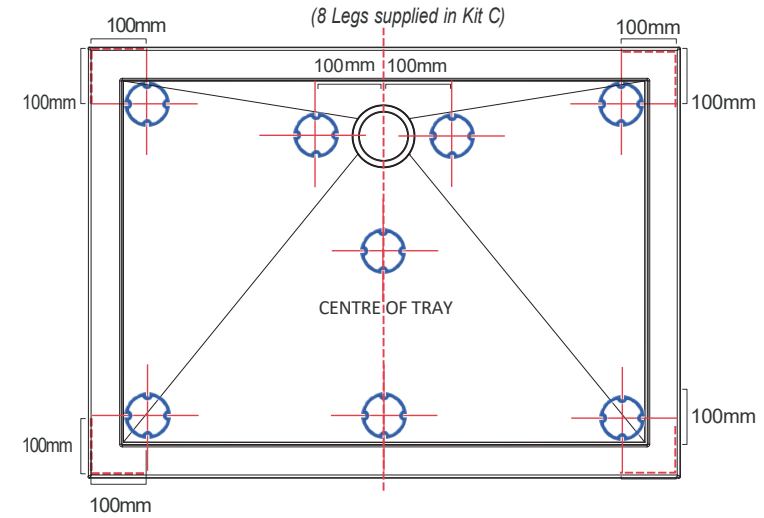
KIT A 760mm - 900mm



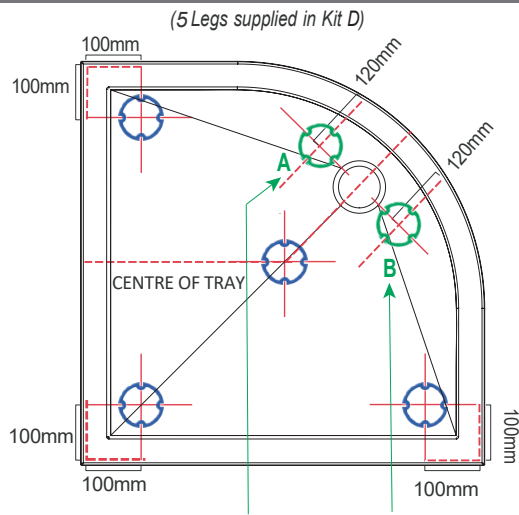
KIT B 1000mm - 1200mm



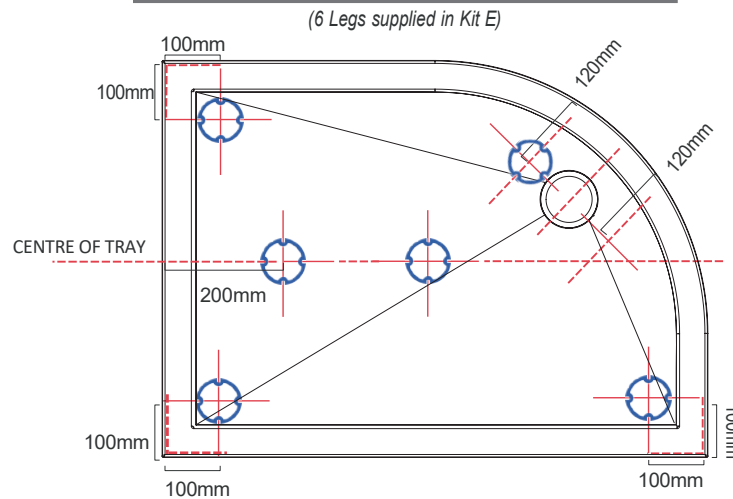
KIT C 1300mm - 1700mm



KIT D 800mm & 900mm Quad



KIT E 1000 x 800mm
Up to 1200 x 900mm
Offset Quad



= Essential leg positional guides
(Ensure correct positions/measurements)

= Optional leg positional guides - Choose A or B
(based on position of waste flow)

Optional leg Position - Place in either option A or B,