

# Corner Panel

## Instruction Manual

ESP



### IMPORTANT INFORMATION

- Toughened glass is completely safe for use in our shower enclosures and bath screens; providing our products are installed according to our guidelines.
- It is important to note that the glass must not be mounted or 'pinched' in such a way that would cause a stress point to develop in the glass. In addition, it must not be subject to any sharp impact or severe temperature fluctuation which may also cause a stress point to develop in the glass.
- Toughened glass is physically and thermally significantly stronger than standard glass. During the toughening process the stresses contained within any glass are balanced so if in the unlikely event situation any of the above occurs and the glass breaks, the glass will shatter safely into small thumbnail sized blunt fragments.

### PRE-INSTALLATION CHECKS

1. Check you have the correct product. Please look at the labels on the side of the product packaging.
2. Check all the product components are in the box and the fixing kits.
3. Unpack your product and handle it with care.
4. Please check the product for defects or damage, once the installation has commenced we cannot accept responsibility for any defects or damage.
5. Please take time to read these instructions prior to installing your product.
6. Before you commence any drilling check there are no hidden electrical cables and/or water pipes.
7. No attempt should be made to re-work the toughened safety glass.
8. The installation of the product should be performed by two persons.
9. It is strongly recommended that the walls the product is going to be installed on are vertical.
10. It is strongly recommended the product is fitted on a tiled surface or similar waterproof surface.
11. It is strongly recommended the walls are tiled and grouted before the product is installed.
12. If the walls and/or the tray are not level you will not achieve maximum adjustment of the product.
13. Pictures used are for illustration purposes only, product designs may alter slightly as a result of continuing product development.
14. We do not stipulate where the European Standard Kite Mark should be positioned on the glass when being factory assembled.
15. Please note that some natural misting may occur when you remove this product from its packaging, due to the addition of the glass protection pre-coating. If this does occur this can easily be removed with a soft, dry cloth.

#### Component Check List: Supplied

Description	Quantity
Wall Profile	1
Panel	1
Bracing Assembly (1000, 1200 and 1400 only)	1

#### Equipment Check List: Not Supplied

Description
Screwdriver
Sealant Gun
Bathroom Sealant
Spirit Level
Electric / Battery Drill
6mm Masonry Drill Bit
Tape Measure
Pencil
Hacksaw
Wall Fixings (if going into plasterboard etc.)

#### Fixing Kit Components

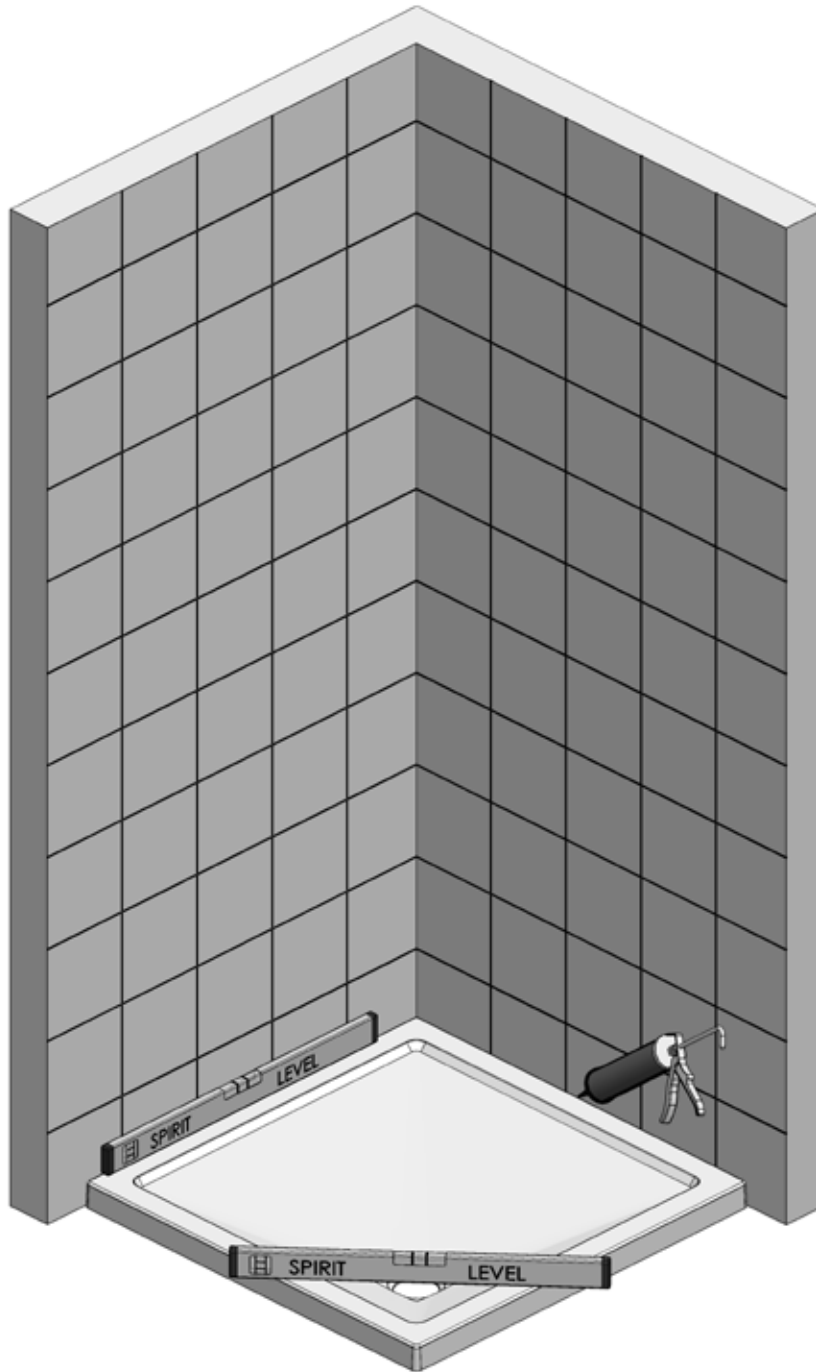
Description	Quantity
Wall Plugs	4
40mm Screws	4
9mm Screws	3
Screw Bases	3
Coloured Cover Caps	3
2.5mm Drill Bit	1
Top Cap (Left Hand)	1
Top Cap (Right Hand)	1
Branding Badge (if applicable)	1

### CONSUMER GUARANTEE

Please make sure the purchaser/end user completes and returns the guarantee card which is enclosed with this product. Failure to validate the Guarantee will mean only the 1 Year Statutory Guarantee will apply.

## Step 1 - Preperation

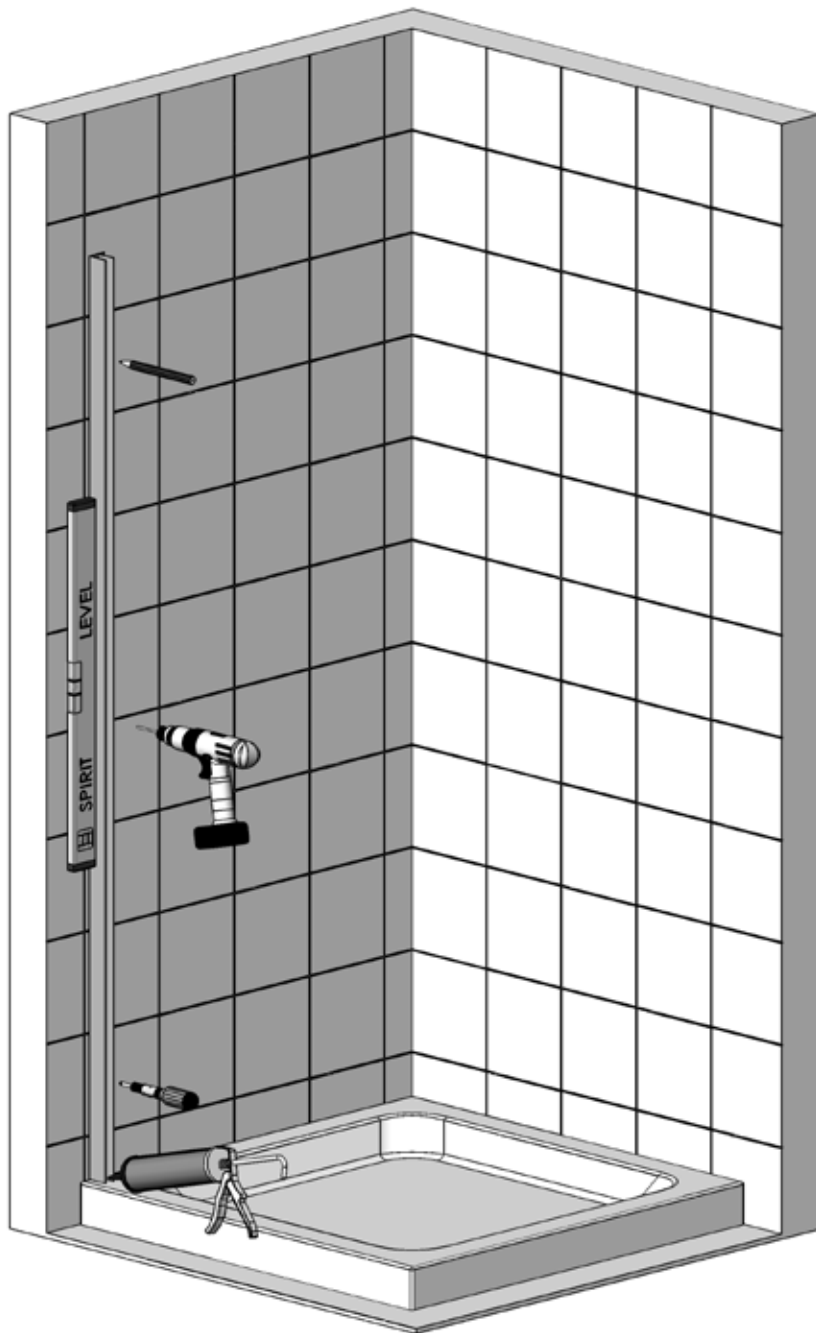
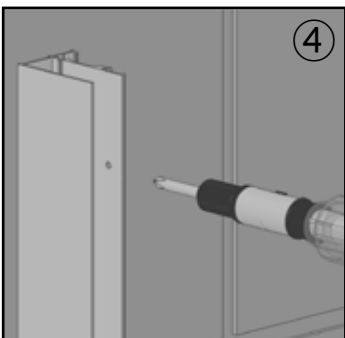
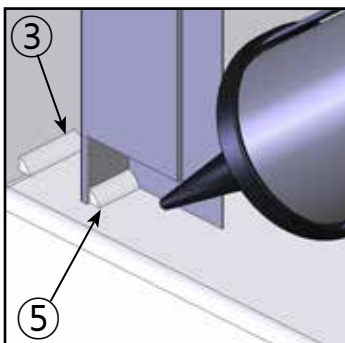
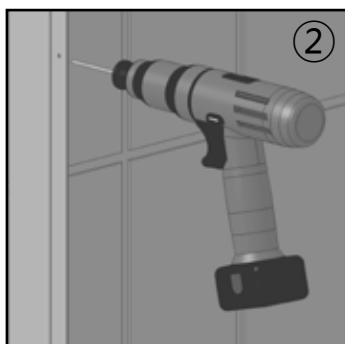
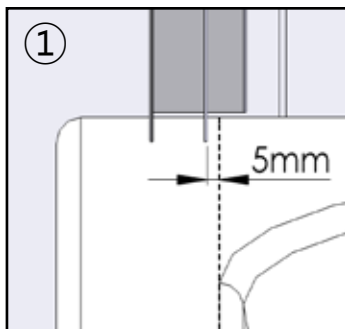
NOTE: Checking the tray (Not applicable if fitting to a Wet Room Floor), however the Wet Room must be complete prior to installation of your panel.



1. Ensure the Tray is completely level on all sides using a Spirit Level.
  - **The bubble should be in the centre of the 2 lines on the Spirit Level.**
2. Check that there is no movement in the Tray by standing in it.
3. Fill the tray with water to check all plumbing for leaks.
  - **Note: Please ensure that the Tray is installed as per Manufacturers' Instructions.**
4. The tray should be fully sealed along the tiled walls prior to installation with a Bathroom Sealant (not supplied).
5. The walls should be tiled and grouted prior to installing the enclosure.
  - **Do not grout the tiles after fitting the enclosure because the grout may discolour the aluminium profiles.**
6. Prior to commencing installation of the Panel and once the sealant has set, spray the shower handset around all joints to check for leaks.
  - **Allow 24 hours for the Bathroom Sealant to fully cure.**

## Step 2 - Fitting the Wall Profile

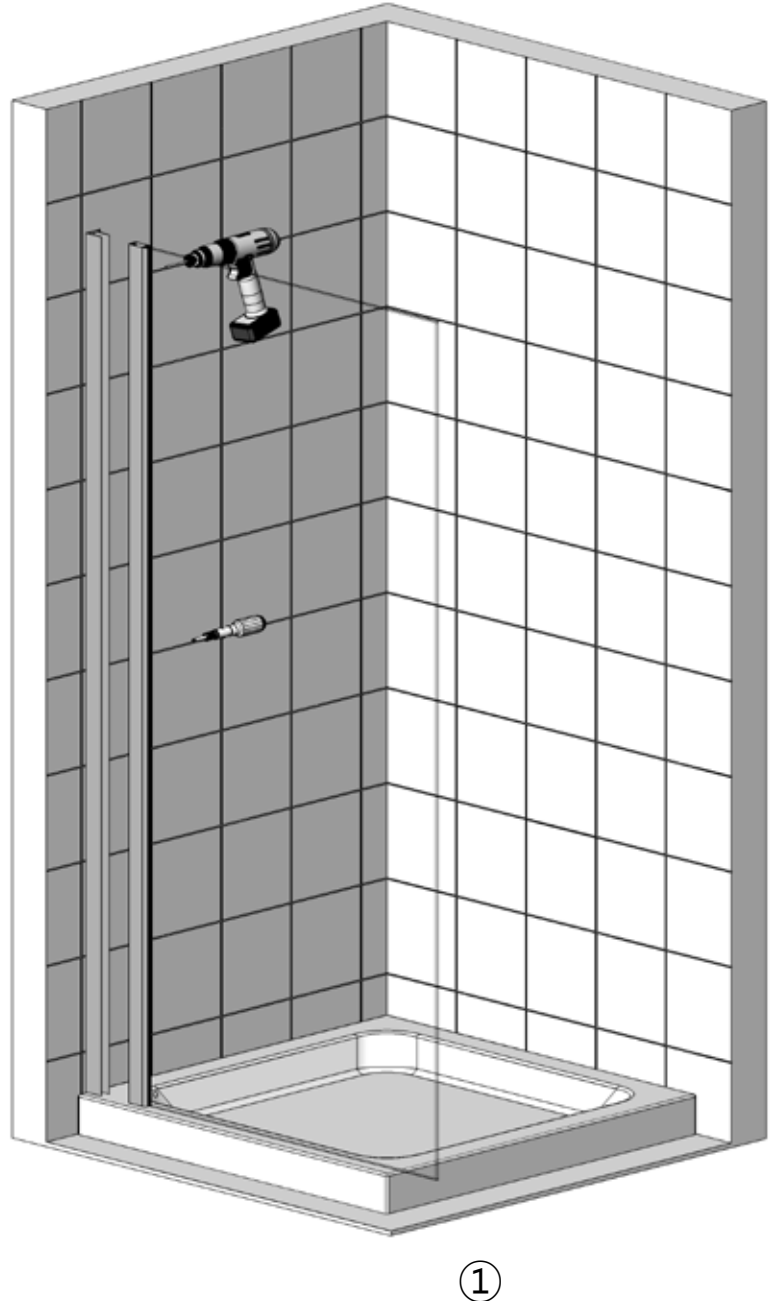
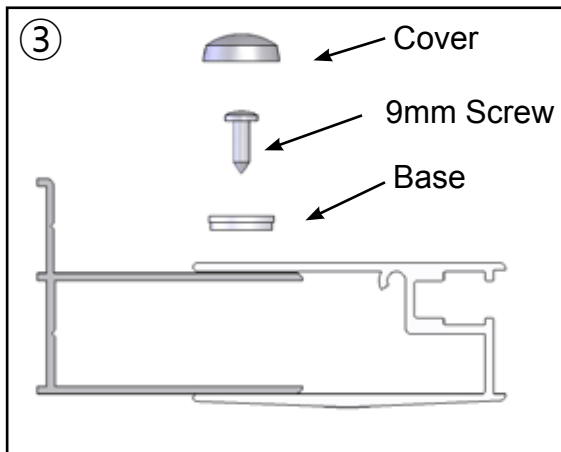
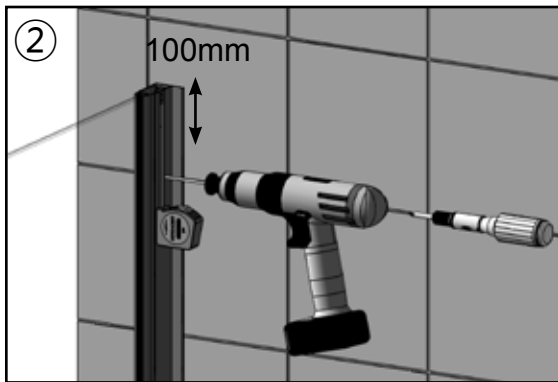
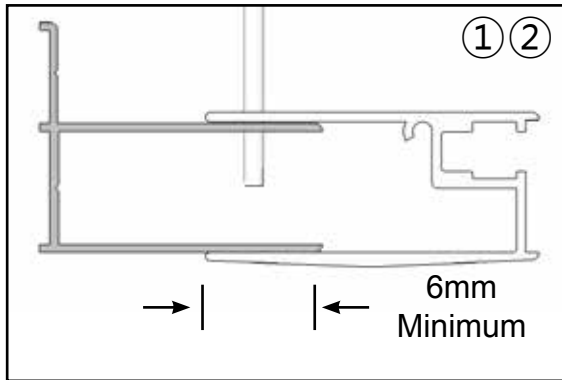
**IMPORTANT:** Whether you are fitting onto a tray or in a wetroom situation the maximum distance the Corner Panel can be fitted away from the Wall is 1060mm.



1. Drill three 4.5mm holes into the U-Channel on the wall profile, approximately 100mm from each end and the last one positioned in the centre. Place the Wall Profile in the required location. With a pencil, mark through the slots onto the tiled wall for the screw positions.
  - **The Wall Profile must be completely vertical (the bubble must be in the centre of the 2 lines on the level).**
  - **If being fitted on to the top of a tray the Wall Profile must be placed 5mm in from the inside of the tray.**
2. Drill the holes using a 6mm Masonry drill bit (not supplied). Push the Wall Plugs (supplied) into the holes.
3. Remove any debris and apply a bead of sealant the width of the Wall Profile at the bottom where it meets the tiled wall.
4. Screw fix the Wall Profile to the wall using the 40mm screws (supplied) keeping it vertical at all times.
  - **The Wall Profile must be completely vertical (the bubble must be in the centre of the 2 lines on the level).**
5. Apply a bead of sealant to the inside of the Wall Profile at the bottom where it meets the wetroom floor / tray top.
  - **IMPORTANT: Failure to carry out Stages 3 and 5 can result in serious water damage and is not covered under the terms of the guarantee.**

## Step 3 - Fitting the Corner Panel

NOTE: Remove the black transit caps from the ends of the Corner Panel before proceeding.



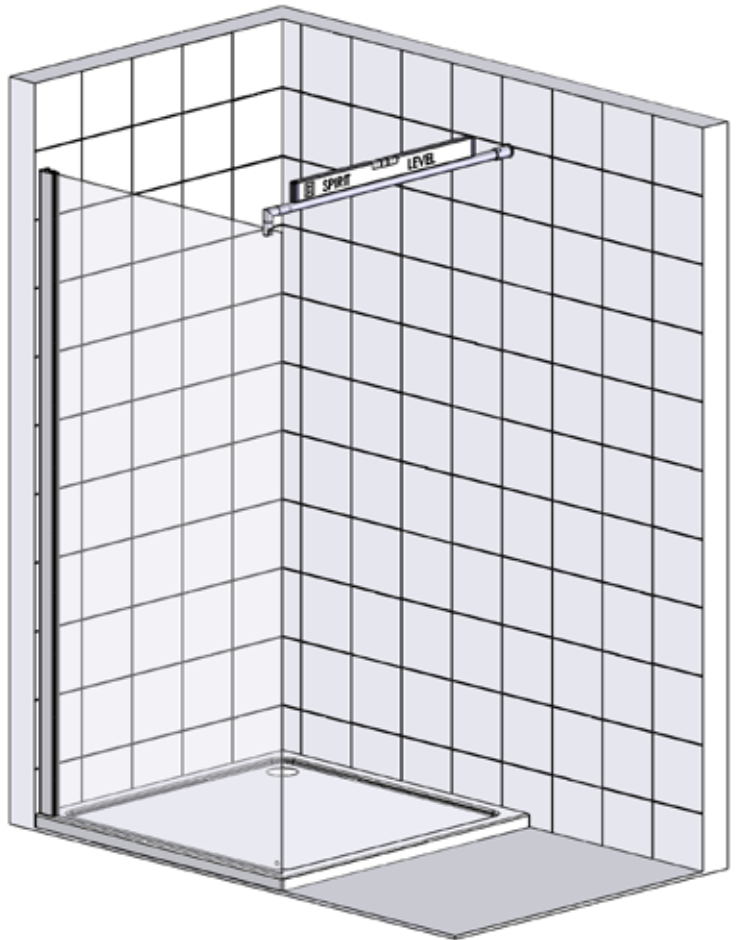
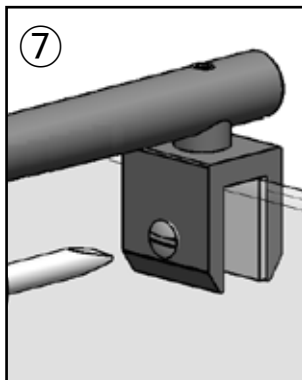
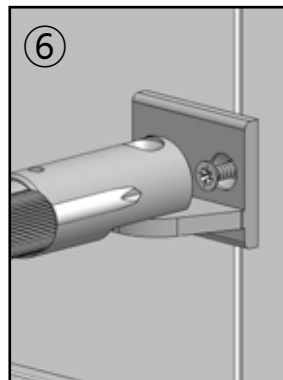
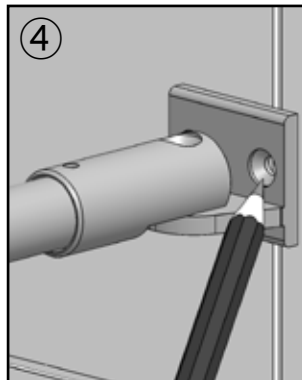
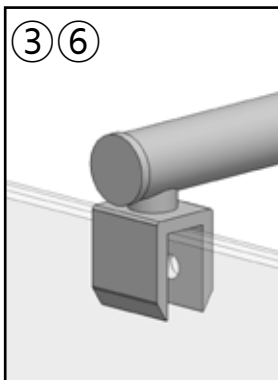
1. Offer the Panel into location onto the tray / floor and into the Wall Profile. A minimum of 6mm must be left between the Panel and Wall Profile for drilling and fixing.
  - **Make sure the Glass Panel is sitting in contact with the tray / floor along the full length of the glass.**
2. With the 2.5mm drill bit (supplied) drill a hole through the Wall Profile approximately 100mm from the top and bottom and one in the centre.

**NOTE: You may need help to lift the Panel into position and to hold it in place during drilling and fixing.**
3. Fit the Cover Cap Bases to the 9mm screws and screw fix the Panel to the Wall Profile, push fit the screw Cover Caps.

**NOTE: The Brace Bar Assembly is provided with the 1000,1200 and 1400 Corner Panel sizes only. If you have purchased either the 600,800 and 900 Corner Panel then disregard Step 4 and go straight to Step 5.**

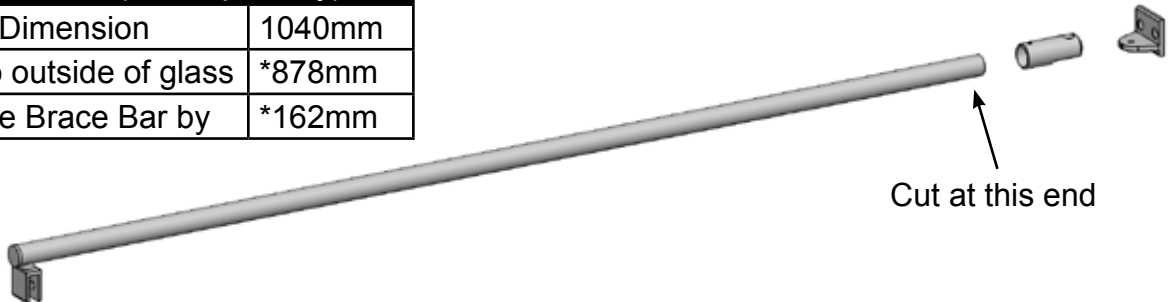
## Step 4 - Fitting Brace Assembly

NOTE: The Straight Section of the Brace Bar assembly may need shortening, if so use a hacksaw or similar. It is IMPORTANT that it is shortened at the Wall Cup end - be sure to remove all burrs and sharp edges.



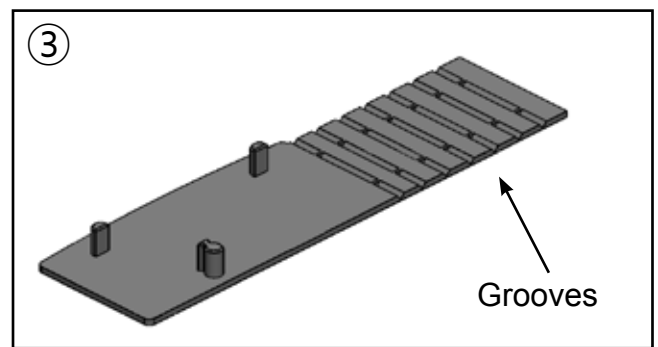
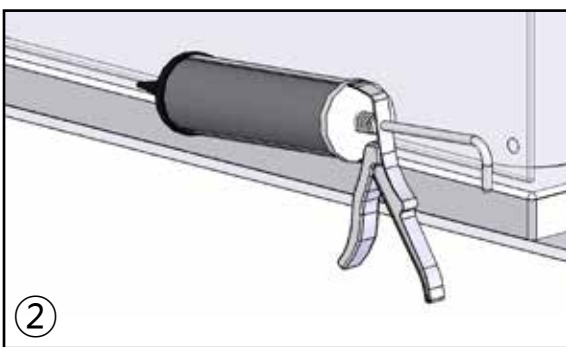
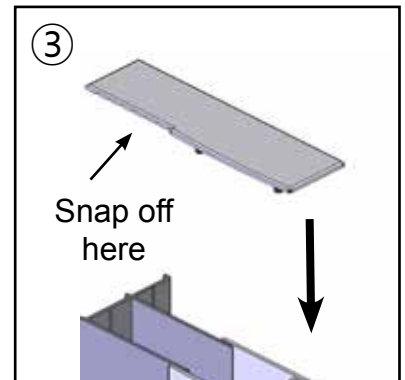
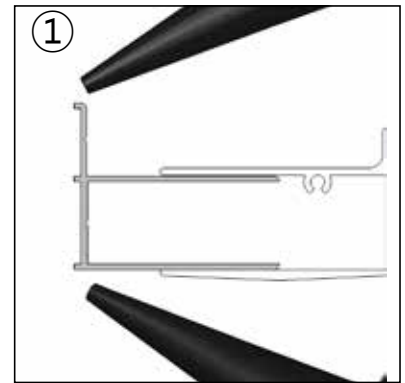
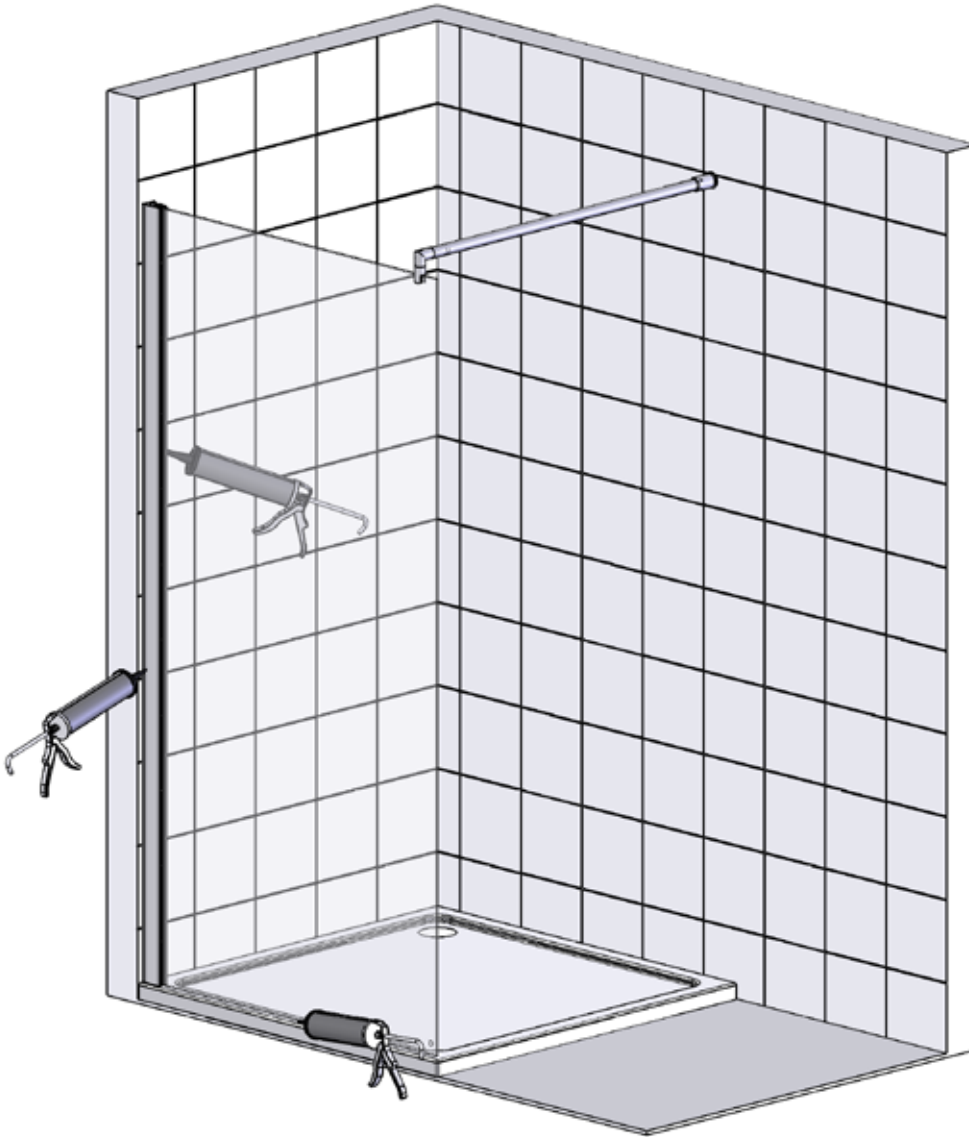
### Brace Bar (\*Example only)

Given Dimension	1040mm
Wall to outside of glass	*878mm
Reduce Brace Bar by	*162mm



1. Measure the distance from the back wall to the outside face of the Panel Glass.
2. Deduct that measurement from 1040mm, shorten the Brace Bar by the new amount (see \*Example above).
3. Place the Bracing Assembly over the glass and up to the back wall (place the bracing close to the door for the best stability). Use a Spirit level to keep it level.
4. With a pencil mark the wall through the screw holes in the Wall Bracket.
5. Remove the Bracing and drill the holes using a 6mm Masonry Drill (not supplied) and fit the Wall Plugs.
6. Replace the Bracing Assembly on to the Panel Glass and secure the Wall Bracket to the Back Wall.
7. Place the plastic spacer between the Glass and Glass Bracket at the front and tighten the Set Screw.
8. Tighten all screws.
  - There is 10mm of adjustment in the Brace Bar assembly to allow for correct adjustment.
  - The Brace Bar must be level, use a Spirit Level and ensure the bubble is in the middle of the two lines.
  - The panel must be vertically level, use a Spirit Level and adjust the bracing to achieve this.

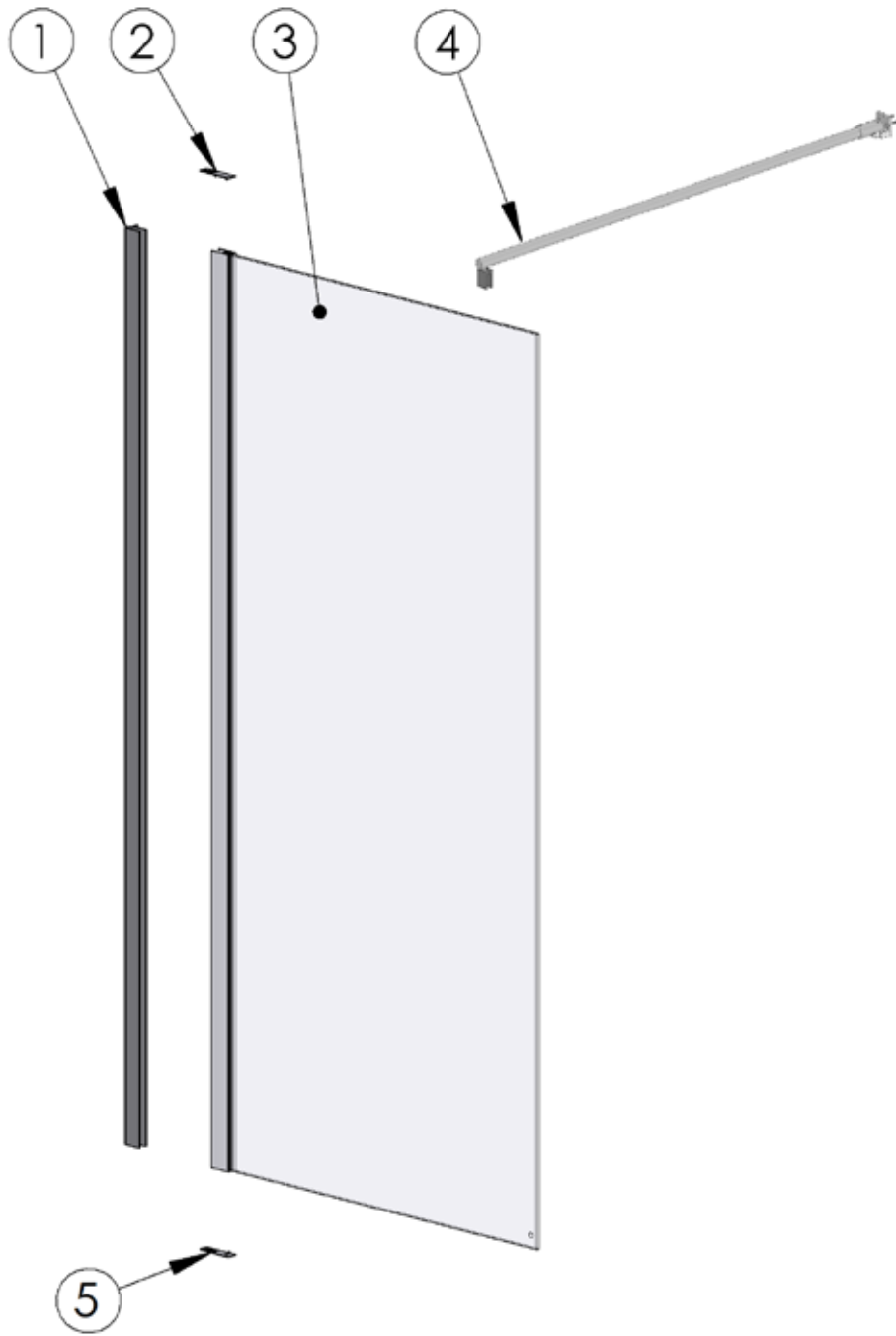
## Step 5 - Sealing



1. Using a good quality sealant, seal vertically both sides of the Wall Profile where it meets the tiled wall.
2. Seal the base of the Corner Panel fully on the outside only where it meets the tray / wetroom floor.
3. The Top Caps are handed and have grooves that can be shortened by snapping off at certain points. Fit the Top Cap that meets your requirement and discard the other.
  - **Adding a small amount of silicon between the faces will help keep them in place.**
4. Place the Branding Badge (if applicable) onto a prominent piece of aluminium at the top.
  - **IMPORTANT: Failure to follow Stages 1 and 2 may result in serious water damage and will not be covered under the terms of the guarantee.**
  - **Do not seal along the base of the Corner Panel on the inside, failure to comply may result in the Corner Panel leaking.**
  - **Please allow 24 hours for the sealant to fully cure before using the enclosure.**

## Spare Parts

If you need to replace any damaged parts please see illustration below for parts list then call Customer Relations on 01325 328033



Please Note: The part highlighted  is only included with the 1000,1200 and 1400 sizes only.

Part No.	Description	Q'ty	Part No.	Description	Q'ty	Part No.	Description	Q'ty
1	Wall Profile	1	11			21		
2	Top Cap (Left Hand)	1	12			22		
3	Corner Panel	1	13			23		
4	Bracing Assembly	1	14			24		
5	Top Cap (Right Hand)	1	15			25		
6			16					
7			17					
8			18					
9			19					
10			20					

## TROUBLE SHOOTING GUIDE

Problem	Solution
<b>Leaking</b>	<ol style="list-style-type: none"><li>1. Check the Wall Profile has been sealed both vertically inside and outside.</li><li>2. Check the tray is sealed along the tiled walls prior to installation.</li><li>3. Check the Corner Panel is sealed horizontally on the outside only.</li></ol> <p><b>Important: This enclosure should be water tested conforming to BS EN 14428</b></p>
<b>Enclosure Alignment on the Tray or Floor</b>	<ol style="list-style-type: none"><li>1. Check the tray has been installed as per the manufacturer's instructions.</li><li>2. Check the Wall Profile has been fitted vertically.</li><li>3. Check the Bracing has been fitted correctly and is fully tightened.</li></ol>

### Some important information to help you Maintain your product.

The following information is all you need to keep your product looking new.

Clean your product using a mild detergent diluted in water and then polished off using a soft cloth. If you live in a hard water area, periodically clean your product using a 50/50 solution of white vinegar and water. The solution should be left on the enclosure for approximately 5 minutes then rinsed off using warm water. This method of cleaning should remove lime scale residue.

### Simple Maintenance

Our products are generally maintenance free, however it may be necessary to lubricate wheel assemblies and other moving parts from time to time.

It is strongly recommended that a quality silicone spray is used.

### A list of Don't's:

1. Don't use acidic based products which are unsuitable for cleaning enamel surfaces.
2. Don't use abrasive cleaners or cleaners using bleach or solvents, these products will adversely affect the finish of the aluminium profiles.
3. Don't use scouring pads, powder or any sharp instruments when cleaning the enclosure.

Should you experience any problems during installation please refer to the Trouble Shooting Guide or contact Customer Relations on:

**+44 (0) 1325 328033**

To enable customer relations to provide you with an excellent level of service it is important that you quote your product Code and Reference Number - these can be found on the Guarantee card.