

Technical Data Sheet

ROPER RHODES®

Storm Basin Mixer - T221002

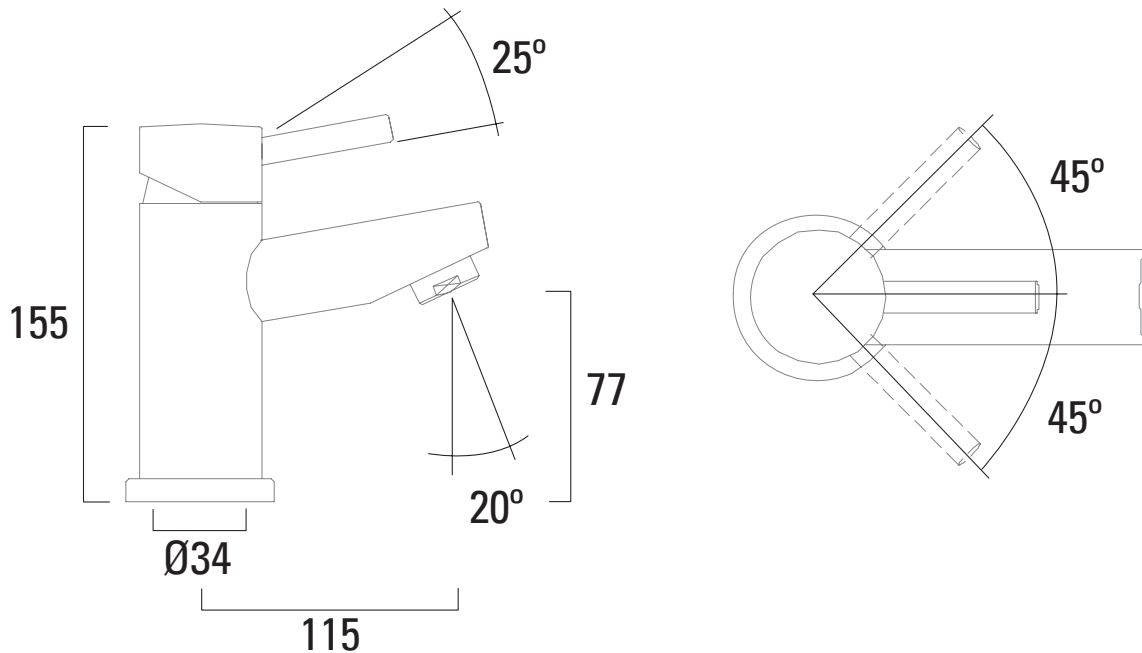
No.	Description	Code	Fixings Included
1	Storm Basin Mixer	T221002	YES



Min Pressure:	0.1bar
0.1bar	6.89 litres / min
0.2bar	9 litres / min
0.3bar	10.9 litres / min
0.4bar	12.4 litres / min
0.5bar	13.8 litres / min
1bar	19.7 litres / min

Dimensions - T221002

Diagrams not to scale. All dimensions in mm (tolerance of +/-5mm)



*Dimensions are subject to change, customers are advised to measure actual product before commencing installation.

FAQs

What is the size of the tap tail connection? The tap tails have a standard 1/2" BSP fixing.

What bore is the tap tail? The tails have a 10mm internal bore.

What length are the tap tails? The tails are 300mm in length.

Does the tap come fitted with an aerator? Yes, the aerator comes pre-installed but can be replaced.

Technical Data Sheet

ROPER RHODES®

Storm Mini Basin Mixer - T226002

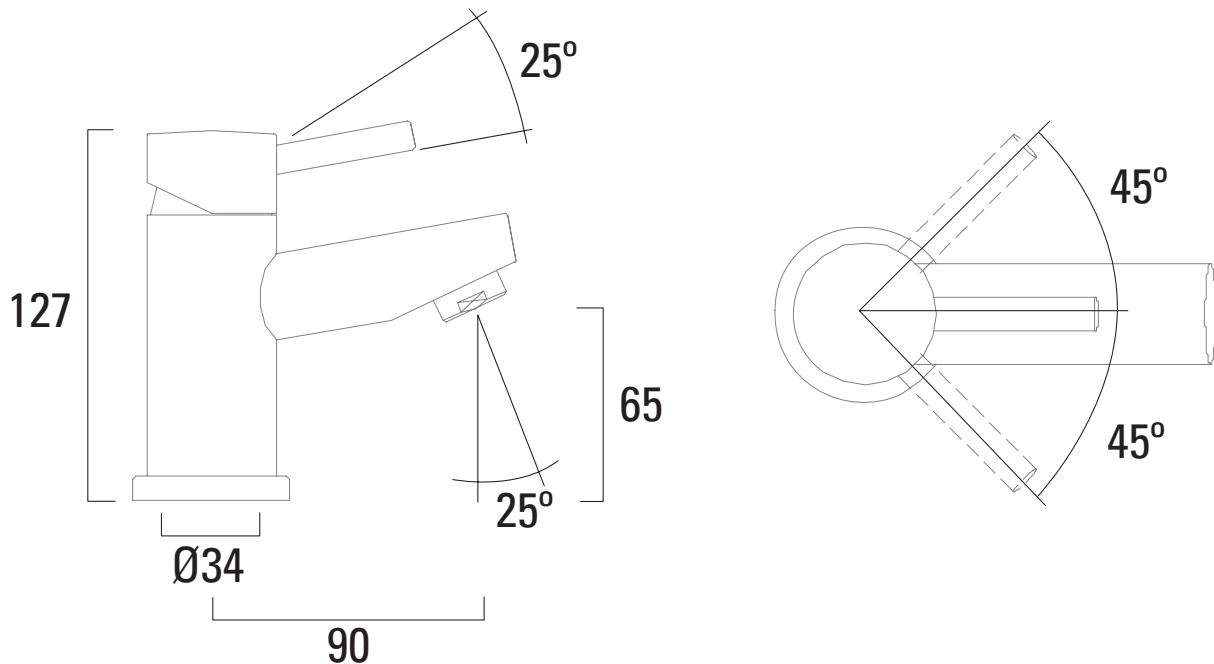
No.	Description	Code	Fixings Included
1	Storm Mini Basin Mixer	T226002	YES



Min Pressure:	0.1bar
0.1bar	6.24 litres/ min
0.2bar	7.5 litres / min
0.3bar	9 litres / min
0.4bar	9.9 litres / min
0.5bar	11 litres / min
1bar	15.7 litres / min

Dimensions - T226002

Diagrams not to scale. All dimensions in mm (tolerance of +/-5mm)



*Dimensions are subject to change, customers are advised to measure actual product before commencing installation.

FAQs

What is the size of the tap tail connection? The tap tails have a standard 1/2" BSP fixing.

What bore is the tap tail? The tails have a 10mm internal bore.

What length are the tap tails? The tails are 300mm in length.

Does the tap come fitted with an aerator? Yes, the aerator comes pre-installed but can be replaced.

Technical Data Sheet

ROPER RHODES®

Storm Bath Filler - T223202

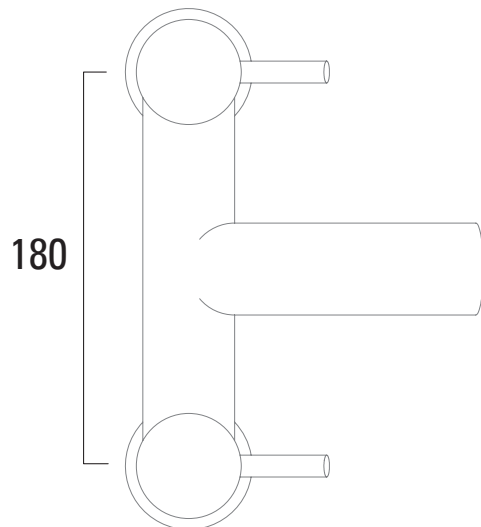
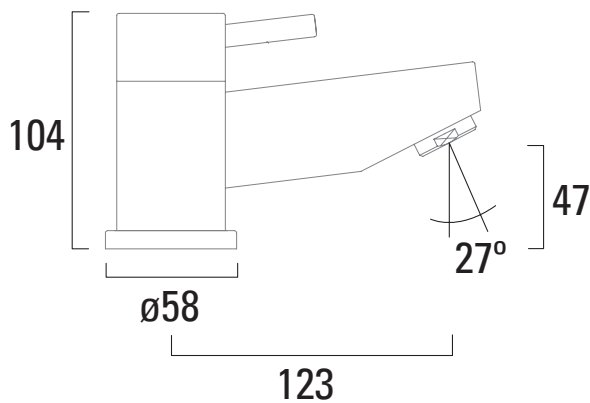
No.	Description	Code	Fixings Included
1	Storm Bath Filler	T223202	YES



Min Pressure:	0.2bar
0.2bar	11.8 litres / min
0.3bar	14.7 litres / min
0.4bar	15.8 litres / min
0.5bar	17.6 litres / min
1bar	22.4 litres / min
2bar	31.2 litres / min

Dimensions - T223202

Diagrams not to scale. All dimensions in mm (tolerance of +/-5mm)



*Dimensions are subject to change, customers are advised to measure actual product before commencing installation.

FAQs

Does the tap come fitted with an aerator? Yes, the aerator comes pre-installed but can be replaced.

What size plumbing fittings are needed for the threaded legs? This product will work with standard 3/4" plumbing fittings.

Technical Data Sheet

ROPER RHODES®

Storm Bath Shower Mixer - T224002

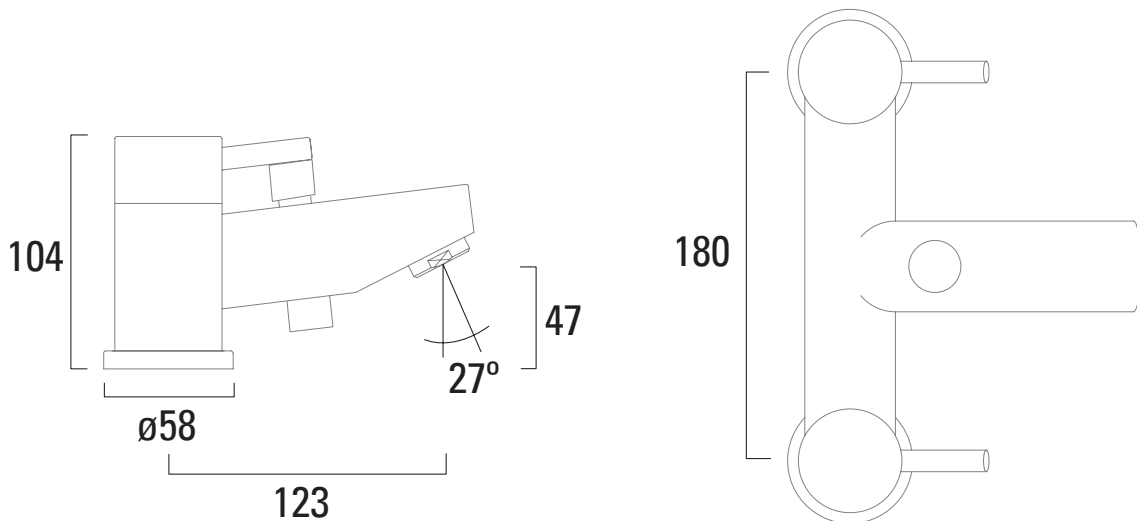
No.	Description	Code	Fixings Included
1	Storm Bath Shower Mixer	T224202	YES



Min Pressure:	0.2bar
0.2bar	11 litres / min
0.3bar	12.6 litres / min
0.4bar	13.7 litres / min
0.5bar	14 litres / min
1bar	15.9 litres / min
2bar	23 litres / min

Dimensions - T224202

Diagrams not to scale. All dimensions in mm (tolerance of +/-5mm)



*Dimensions are subject to change, customers are advised to measure actual product before commencing installation.

FAQs

Does the tap come fitted with an aerator? Yes, the aerator comes pre-installed but can be replaced.

What size plumbing fittings are needed for the threaded legs? This product will work with standard 3/4" plumbing fittings.

What size are the connections for the shower hose? The threaded connections on the shower hose are a standard 1/2" BSP connection.

Technical Data Sheet

ROPER RHODES®

Storm Tall Basin Mixer - T225002

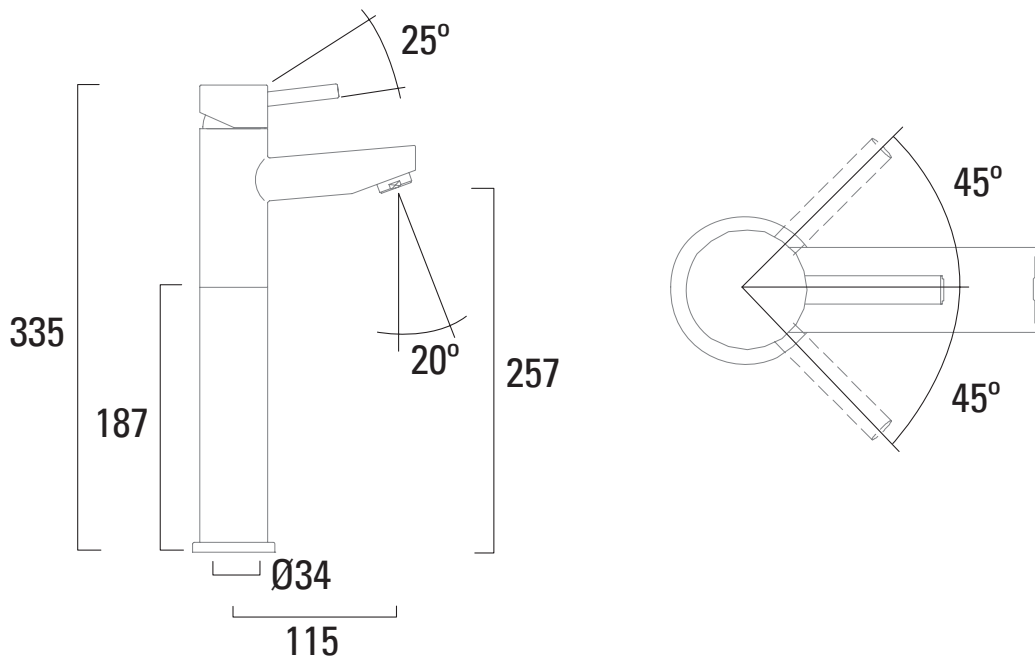
No.	Description	Code	Fixings Included
1	Storm Tall Basin Mixer	T225002	YES



Min Pressure:	0.1bar
0.1bar	6.89 litres / min
0.2bar	9 litres / min
0.3bar	10.9 litres / min
0.4bar	12.4 litres / min
0.5bar	litres / min
1bar	litres / min

Dimensions - T225002

Diagrams not to scale. All dimensions in mm (tolerance of +/-5mm)



*Dimensions are subject to change, customers are advised to measure actual product before commencing installation.

FAQs

What is the size of the tap tail connection? The tap tails have a standard 1/2" BSP fixing.

What bore is the tap tail? The tails have a 10mm internal bore.

What length are the tap tails? The tails are 300mm in length.

Does the tap come fitted with an aerator? Yes, the aerator comes pre-installed but can be replaced.

Technical Data Sheet

ROPER RHODES®

Storm Bidet Basin Mixer - T222002

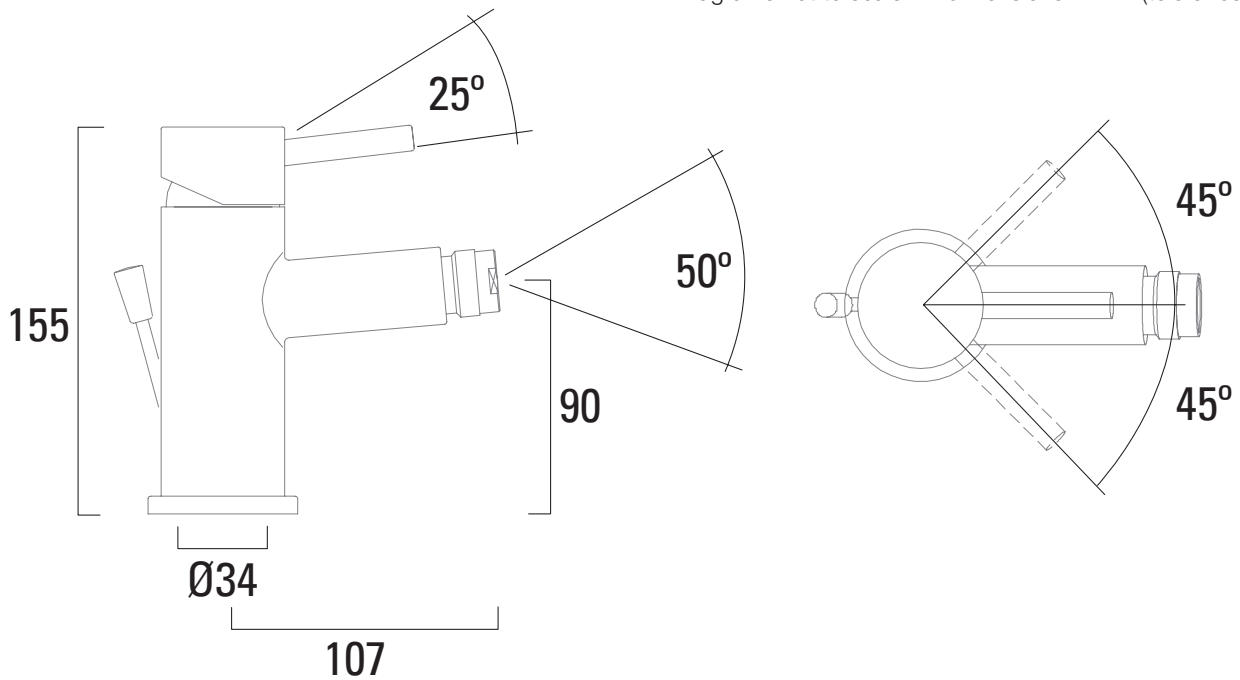
No.	Description	Code	Fixings Included
1	Storm Bidet Basin Mixer	T222002	YES



Min Pressure:	0.2bar
0.2bar	6.8 litres / min
0.3bar	7.5 litres / min
0.4bar	8.1 litres / min
0.5bar	9.7 litres / min
1bar	11.5 litres / min
2bar	18 litres / min

Dimensions - T222002

Diagrams not to scale. All dimensions in mm (tolerance of +/-5mm)



*Dimensions are subject to change, customers are advised to measure actual product before commencing installation.

FAQs

What is the size of the tap tail connection? The tap tails have a standard 1/2" BSP fixing.

What bore is the tap tail? The tails have a 10mm internal bore.

What length are the tap tails? The tails are 300mm in length.

Does the tap come fitted with an aerator? Yes, the aerator comes pre-installed but can be replaced.

Technical Data Sheet

ROPER RHODES®

Storm Side Action Basin Mixer - T221602

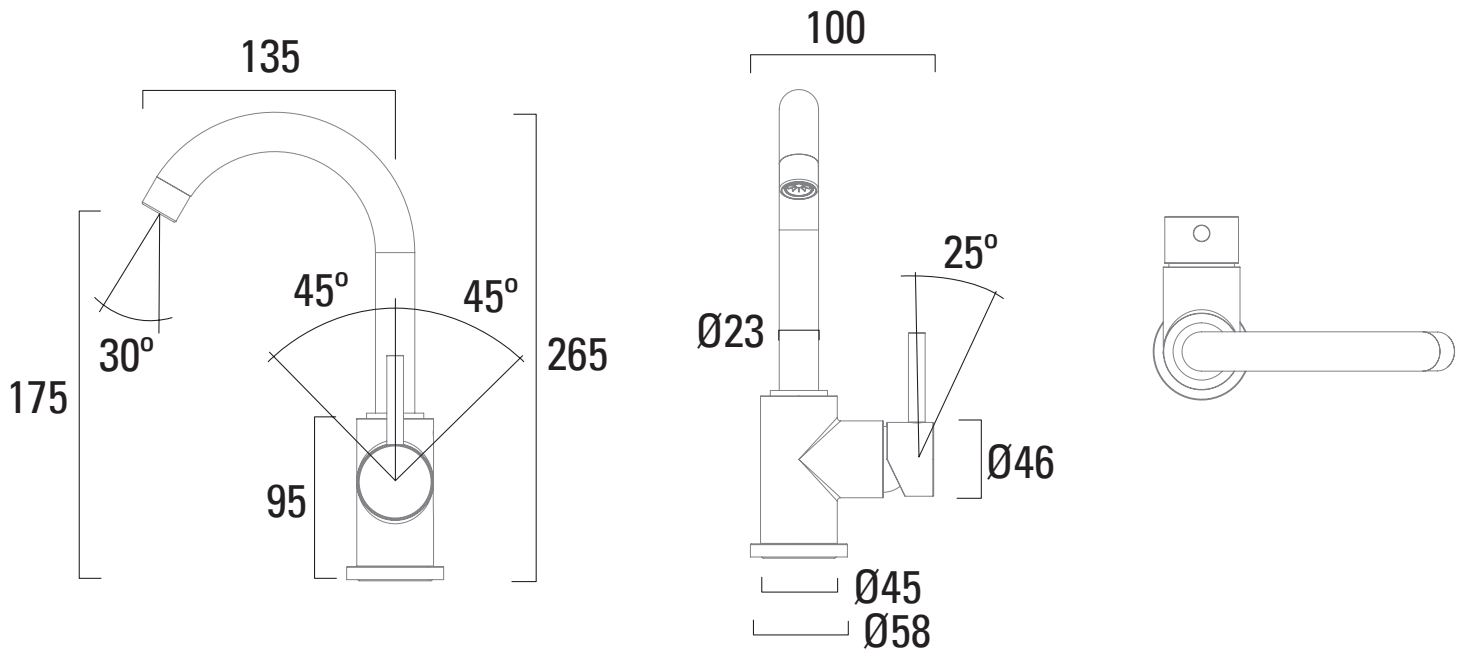
No.	Description	Code	Fixings Included
1	Storm Side Action Basin Mixer	T221602	YES



Min Pressure:	0.1bar
0.1bar	6.8 litres / min
0.2bar	7.4 litres / min
0.3bar	9 litres / min
0.4bar	10.5 litres / min
0.5bar	12.6 litres / min
1bar	14.9 litres / min

Dimensions - T221602

Diagrams not to scale. All dimensions in mm (tolerance of +/-5mm)



*Dimensions are subject to change, customers are advised to measure actual product before commencing installation.

FAQs

What is the size of the tap tail connection? The tap tails have a standard 1/2" BSP fixing.

What bore is the tap tail? The tails have a 10mm internal bore.

What length are the tap tails? The tails are 300mm in length.

Does the tap come fitted with an aerator? Yes, the aerator comes pre-installed but can be replaced.

Technical Data Sheet

ROPER RHODES®

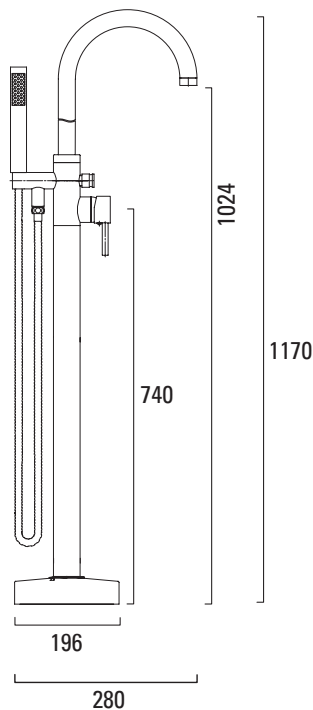
Storm Free Standing Bath Shower Mixer - T221902

No.	Description	Code	Fixings Included
1	Storm Free Standing Bath Shower Mixer	T221902	YES



Min Pressure:	1bar
1bar	14.2 litres / min
2bar	16 litres / min

Dimensions - T221902



Diagrams not to scale. All dimensions in mm (tolerance of +/-5mm)

FAQ	Answer
Overall tap height	1065mm
Overall tap width	180mm
Height of spout exit	1025mm
Spout projection from body centre	228mm
Handle projection from body centre	60mm
Handle center height	730mm
Footprint size/Base Plate Diameter	200mm
Does spout rotate	Yes
Tap tails protrusion below base plate	165mm

*Dimensions are subject to change, customers are advised to measure actual product before commencing installation.

FAQs

What is the size of the tap tail connection? The tap tails have a standard 1/2" BSP fixing.

What bore is the tap tail? The tails have a 10mm internal bore.

What length are the tap tails? The tails are 300mm in length.

Does the tap come fitted with an aerator? Yes, the aerator comes pre-installed but can be replaced.

Technical Data Sheet

ROPER RHODES®

Storm Basin Taps - T227002

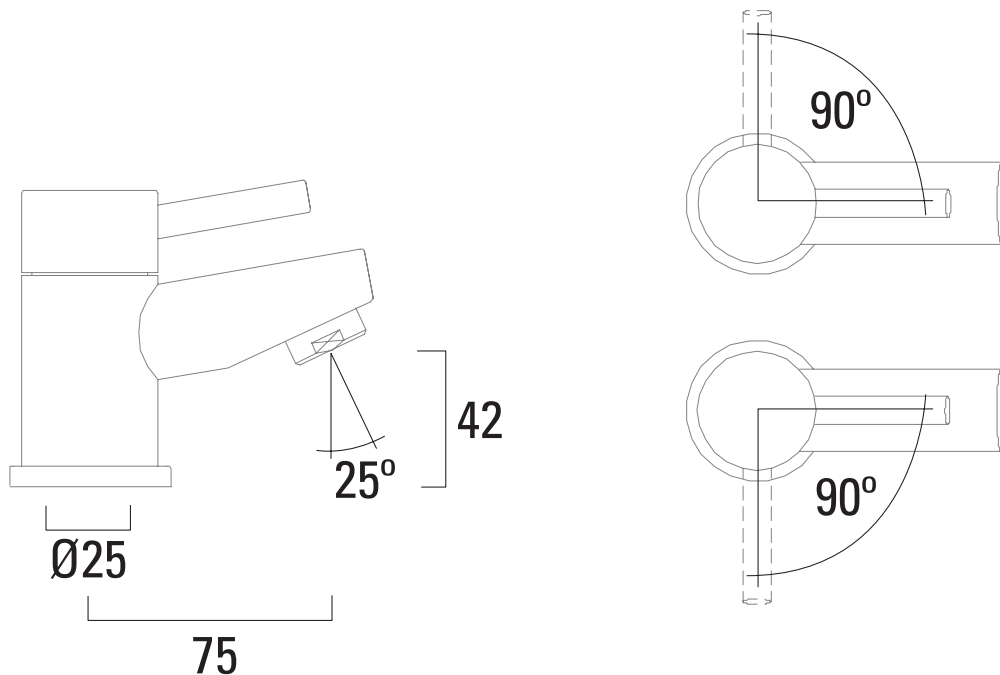
No.	Description	Code	Fixings Included
1	Storm Basin Taps (Pair)	T227002	YES



Min Pressure:	0.1bar
0.1bar	5.1 litres / min
0.2bar	6.8 litres / min
0.3bar	7.5 litres / min
0.4bar	8.1 litres / min
0.5bar	9.7 litres / min
1bar	11.5 litres / min

Dimensions - T227002

Diagrams not to scale. All dimensions in mm (tolerance of +/-5mm)



*Dimensions are subject to change, customers are advised to measure actual product before commencing installation.

FAQs

What is the size of the tap tail connection? The tap tails have a standard 1/2" BSP fixing.

What bore is the tap tail? The tails have a 10mm internal bore.

What length are the tap tails? The tails are 300mm in length.

Does the tap come fitted with an aerator? Yes, the aerator comes pre-installed but can be replaced.