

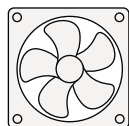
FURNITURE AFTERCARE INSTRUCTIONS

As with all wooden furniture, this product should be treated with care.

We recommend...



Wipe away any water splashes or condensation after use. Excessive exposure to water will deteriorate the furniture.



All bathrooms should be well ventilated with a suitable extractor fan.



Clean with a soft damp cloth only.



For removal of lime scale deposits use a suitable proprietary cleaner. If necessary test on an inconspicuous area first.

Please DO NOT...



Do not scrub or scour



Do not use abrasive cleaning agents

Replacement Components

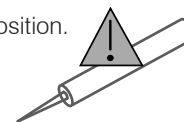
Should you require any replacement components for this product please contact Roper Rhodes using the contact details below.

SAFETY NOTICE

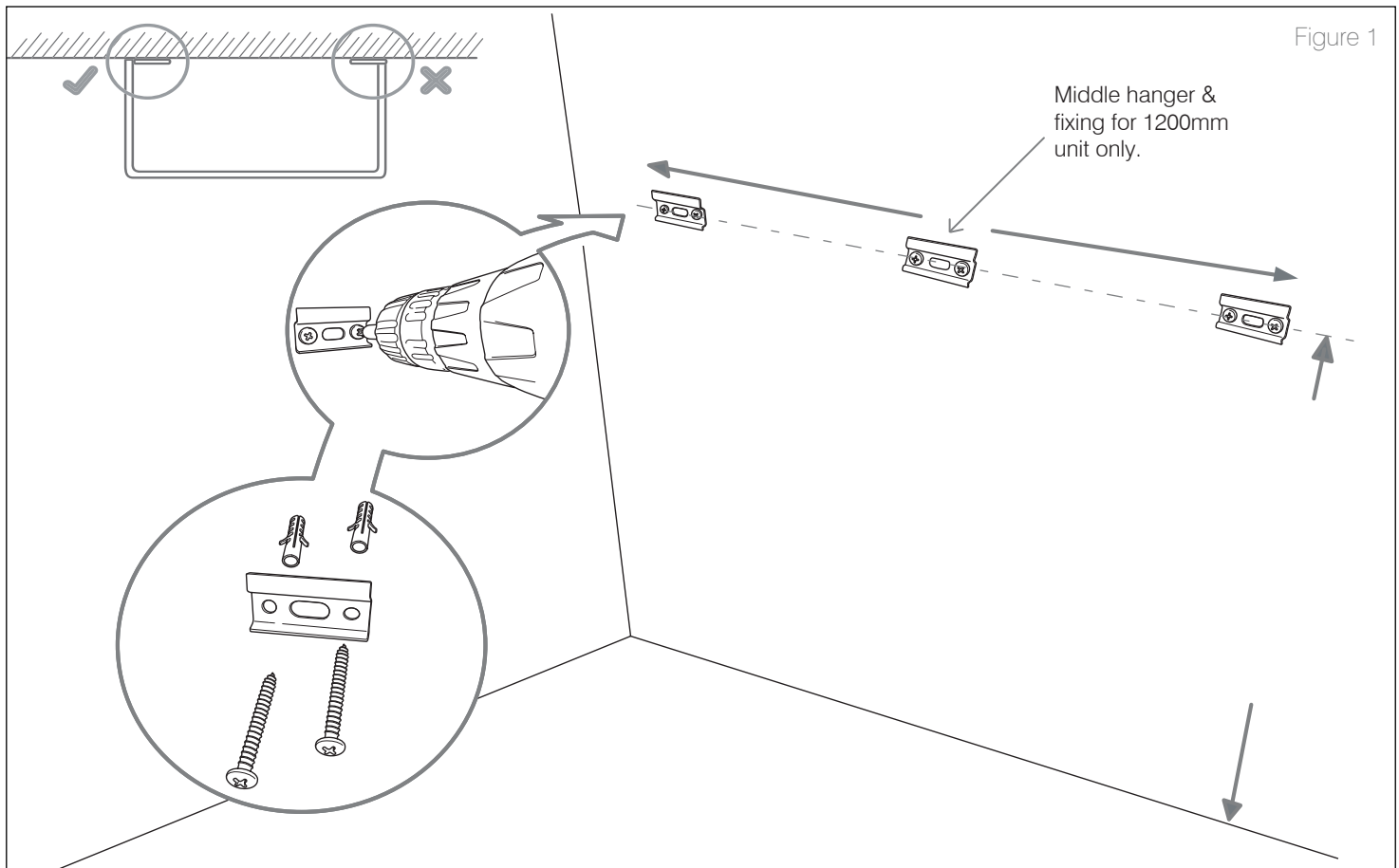
The unit and basin should be fully secured to a suitably reinforced wall to ensure stability. The wall plugs supplied are only suitable for solid stone/brick walls. For plasterboard walls use specialist wall plugs along with supplementary wall strengthening as units can be very heavy. Seek advice from a specialist about the suitability of fixings to be used.

Wear suitable eye protection when drilling. Take care when using power tools near water - the use of a residual current device (RCD) is recommended. Beware of hidden pipes or cables. Take care when drilling tiled surfaces as the drill might slip. Use a piece of masking tape to prevent the drill from wandering.

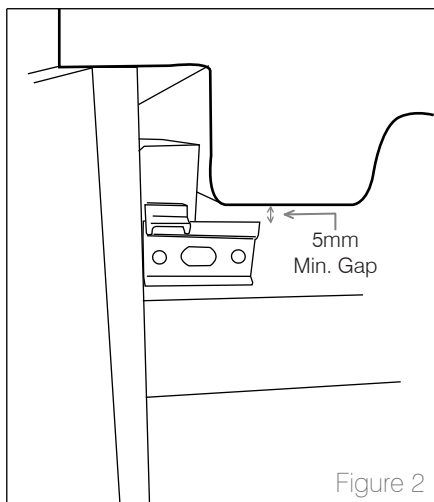
Ensure to follow these instructions to the end, acknowledging final instruction of silencing basin in position.



WALLMOUNTING THE UNITS

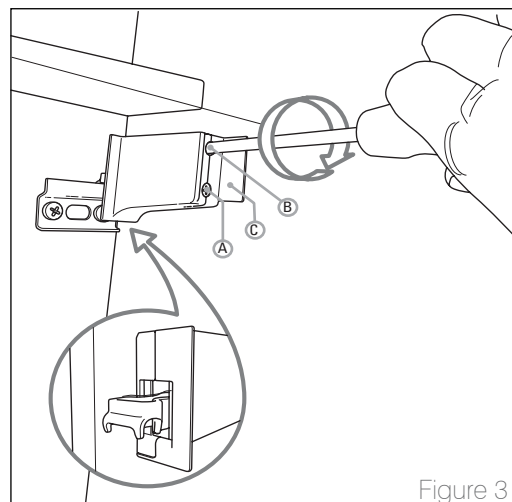


Mark the location of each of the wall mounting plates ensuring that they are positioned inside the sidewalls of the vanity unit. For each mounting plate drill two holes in the marked positions using a 8mm drill bit to a depth of 55mm.



NOTE:

When using furniture in conjunction with System ceramic basins; metal wall hanging brackets need to be set below back flange of basin. Ensure a minimum of 5mm clearance from top of bracket to bottom face of flange. The wall hangers vertical adjustment should be used to seat well on the brackets. See diagram above.



Locate the hangers onto the wall mounting plates. Wall hangers not only tighten the unit against the wall (Screw A) but also offer up/down adjustment to fine-tune the fixing position (Screw B). Finally fold over flap C to conceal the adjustment screws on the wall hanger.

REMOVING DRAWER / RE-ATTACHING DRAWER

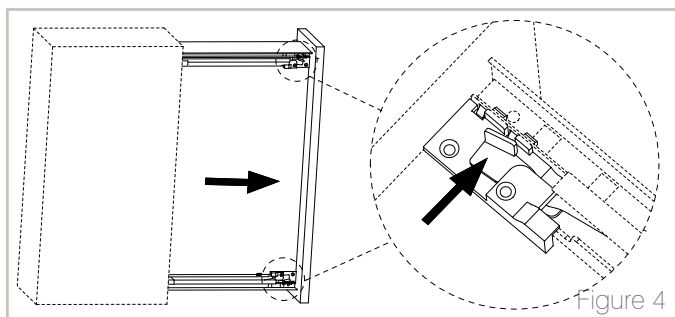


Figure 4

To remove the drawer - press and hold in the levers on both sides of the drawer and slide the drawer from the runners.

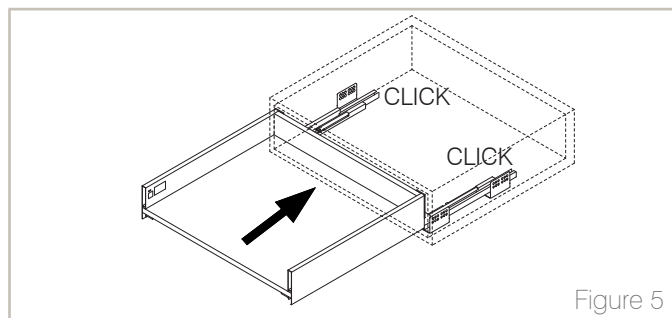


Figure 5

When replacing the drawer - ensure that the runners fully engage at the back of the drawer and an audible click is heard

DRAWER FRONT ADJUSTMENT / DRAWER FASCIA REMOVAL

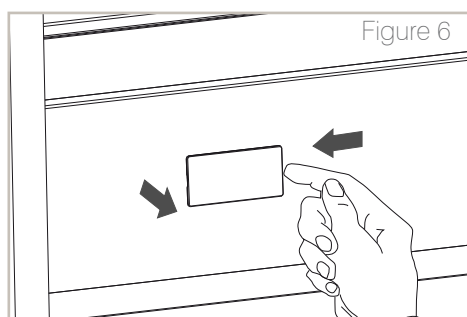


Figure 6

Remove the cover caps from the insides of the drawer on both sides to show the adjustment panels

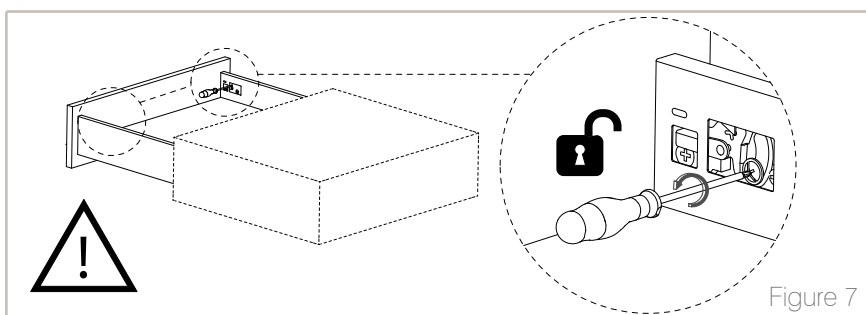


Figure 7

BEFORE ANY ADJUSTMENTS, LOCKING SCREWS ON BOTH RUNNERS SHOULD BE UNSCREWED. FAILURE TO DO SO COULD DAMAGE THE RUNNERS

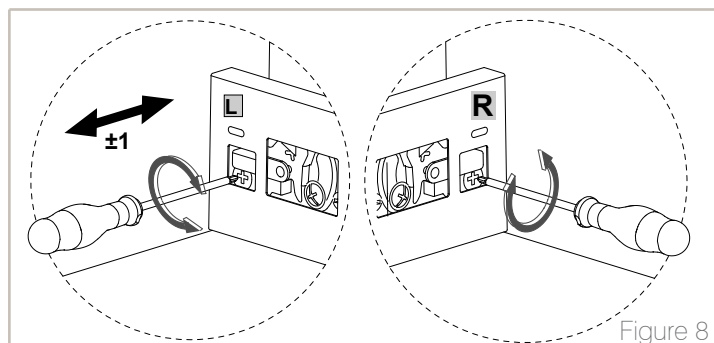


Figure 8

Horizontal adjustment. Turn the screws shown until they become stiff - turning past this point will move the drawer fascia left / right

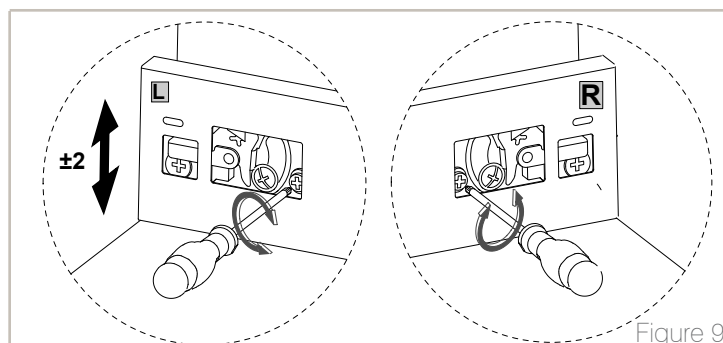


Figure 9

Vertical adjustment. Turn the screws shown to raise / lower the drawer front. This can be done on the left and right hand runners.

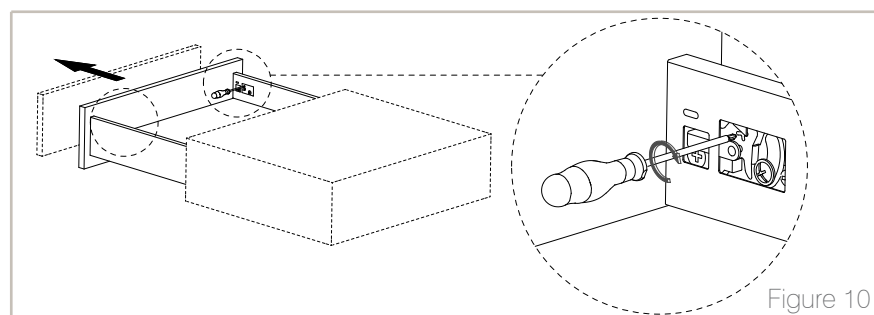


Figure 10

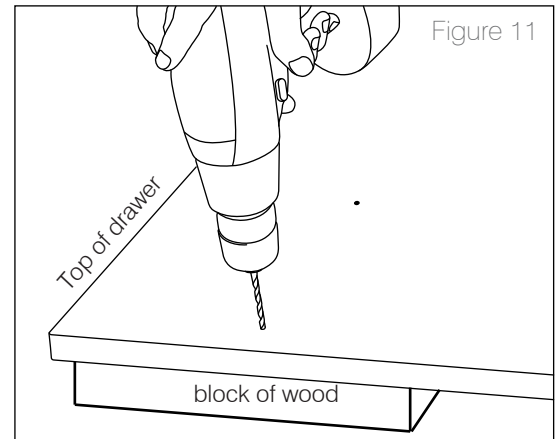
Fascia removal.

- Insert screwdriver into release mechanism (moving the shield out of the way) and twist the mechanism on both sides to release the drawer front.
- To reattach - simply push drawer fascia back into place (it will click and lock in place).

ONCE ALL ADJUSTMENTS MADE - RE-TIGHTEN LOCKING SCREWS AND REPLACE COVER CAPS

INSTALLING HANDLES

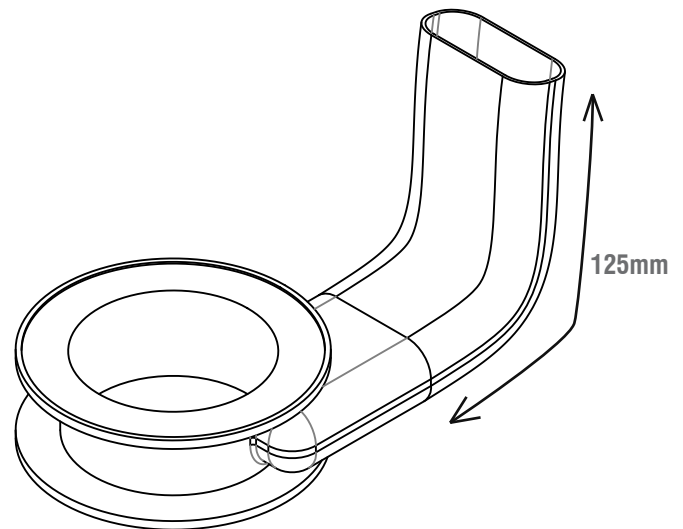
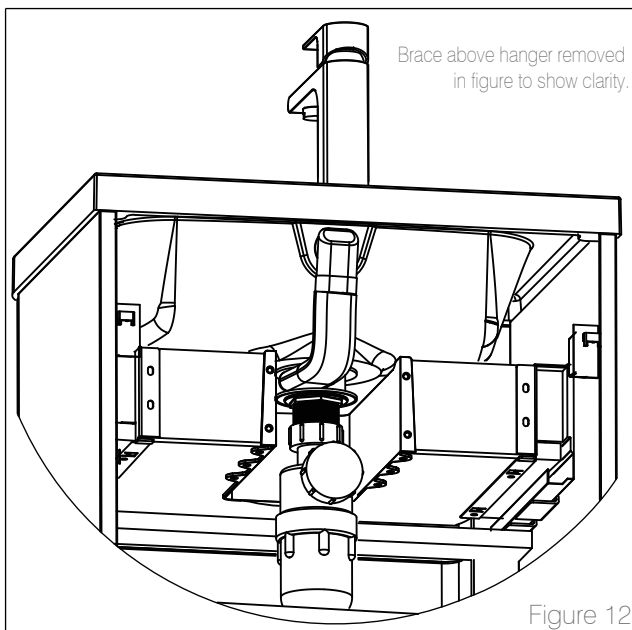
- Remove the drawer as per instructions.
- Included in the box is a template for fixing the handles at our recommended heights.
- Tape this in place in the centre of the front of the drawer front and mark the locations of the relevant handle holes.
- Clamp a piece of wood on the back of the drawer (being careful not to damage the front) and drill through carefully from the front. See figure 10.
- Screw handles into place.
- For drawer top handles - simply hold in place centrally on the top of the drawers and then screw in from behind using small screws provided.
- Re-install drawers ensuring that the drawer box clicks back into place.



INSTALLING OVERFLOW WASTE KIT - For isocast basins only

Kit included with basin

- Follow instructions on overflow waste kit packaging.
- The overflow pipe will need to be cut (as shown on the packaging) to 125mm in length. This is to avoid clashing with drawer componentry on top drawer. See Figure 11
- Ensure pipe has a watertight fit both on overflow cap, and waste inlet.



BASIN/WORKTOP INSTALLATION

- Apply a bead of silicone to the basin / worktop on 2 sides to fix to and protect the side panels as per figure 12.
- Typically the basin also has a silicone bead along the back edges where it meets the wall (not shown)
- The basin should be held in place while the silicone cures.

