

Sliding Door

ASSEMBLY GUIDE

IMPORTANT

- 1.. The cubicle can be constructed either way up, for left or right hand opening.
- 2.. These instructions and list of parts assume that installation is done against solid or tiled walls. Hollow or "Stud - partition" walls will require alternative fixings. Please consult a hardware supplier for the correct type. It may also be necessary to consult your tiling supplier about the correct method for drilling your tiles.
- 3.. Please check this product for damage prior to starting the installation. No claims can be made after the products have been fitted, or after fitting has commenced.
- 4.. This is a 2 person installation.
- 5.. Please note the minimum and maximum adjustment for this product are based on perfectly plumb walls.

Tools Required *Please note hand tools NOT supplied.*



Drill



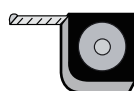
7mm Masonry Drill
3.2mm HSS Drill



Spirit Level



Pencil



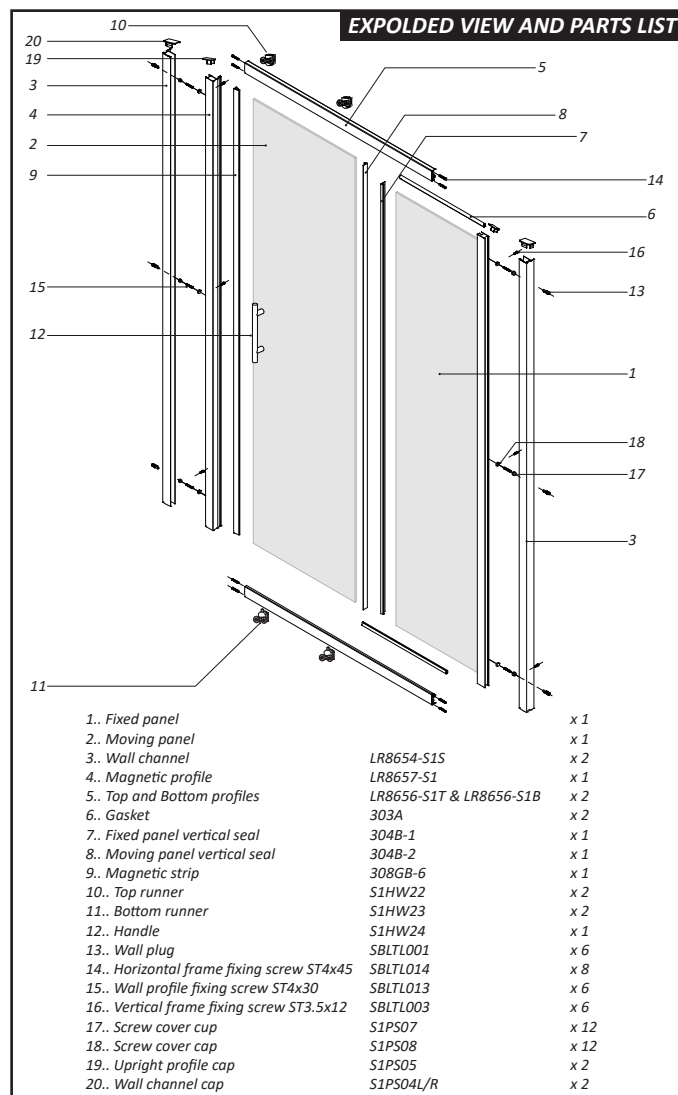
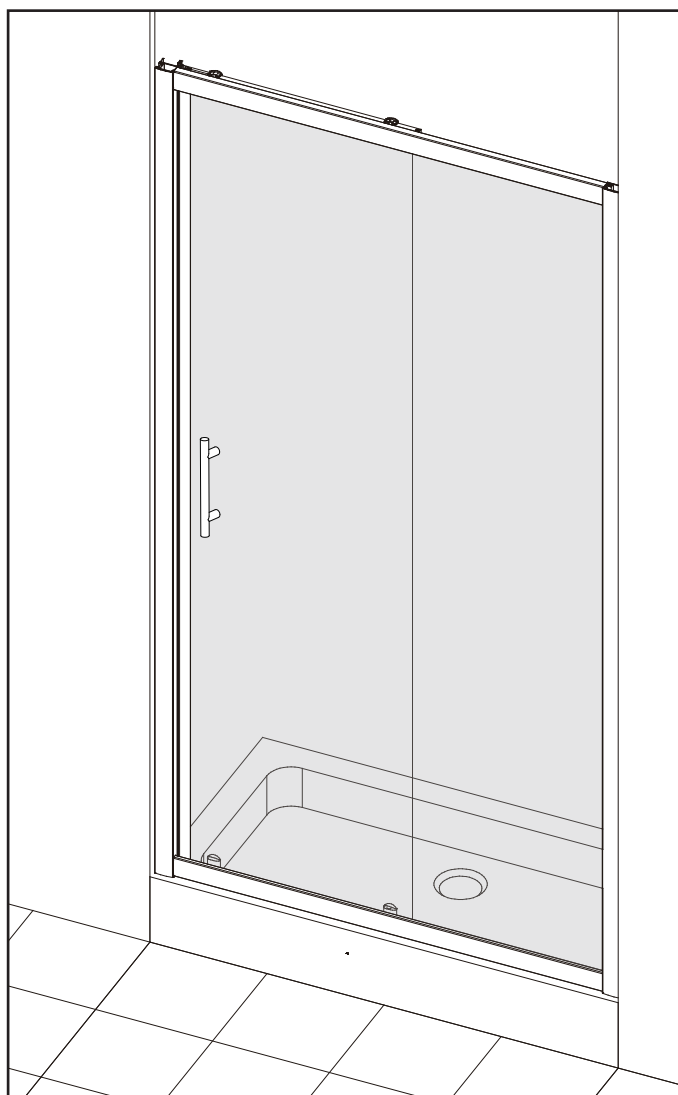
Tape Measure



PH2 TYPE
Screwdriver



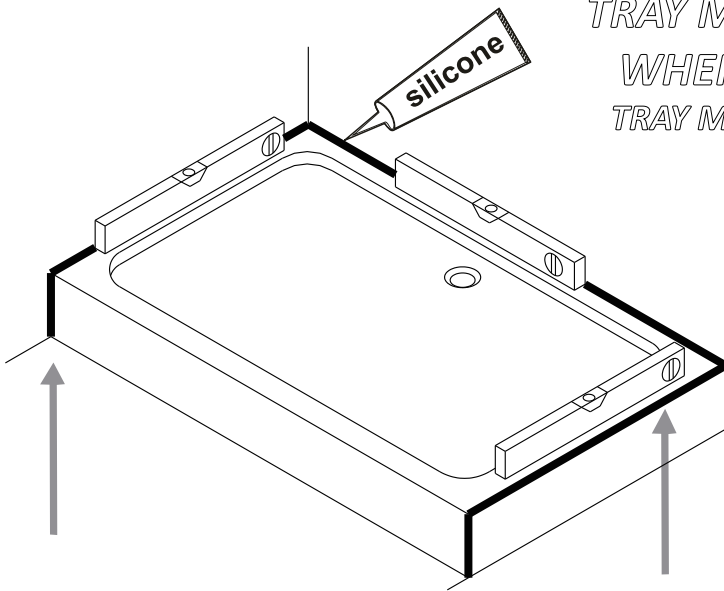
Sealant Gun



EXPLODED VIEW AND PARTS LIST

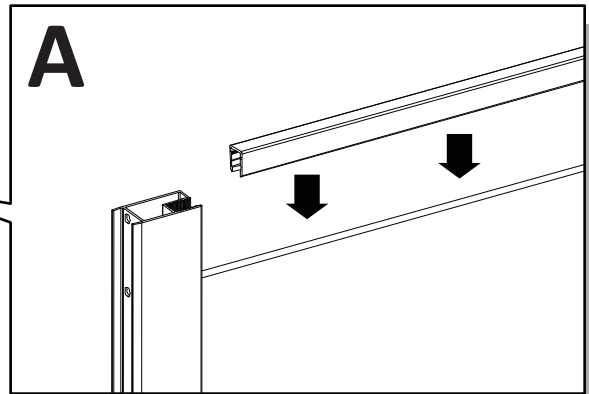
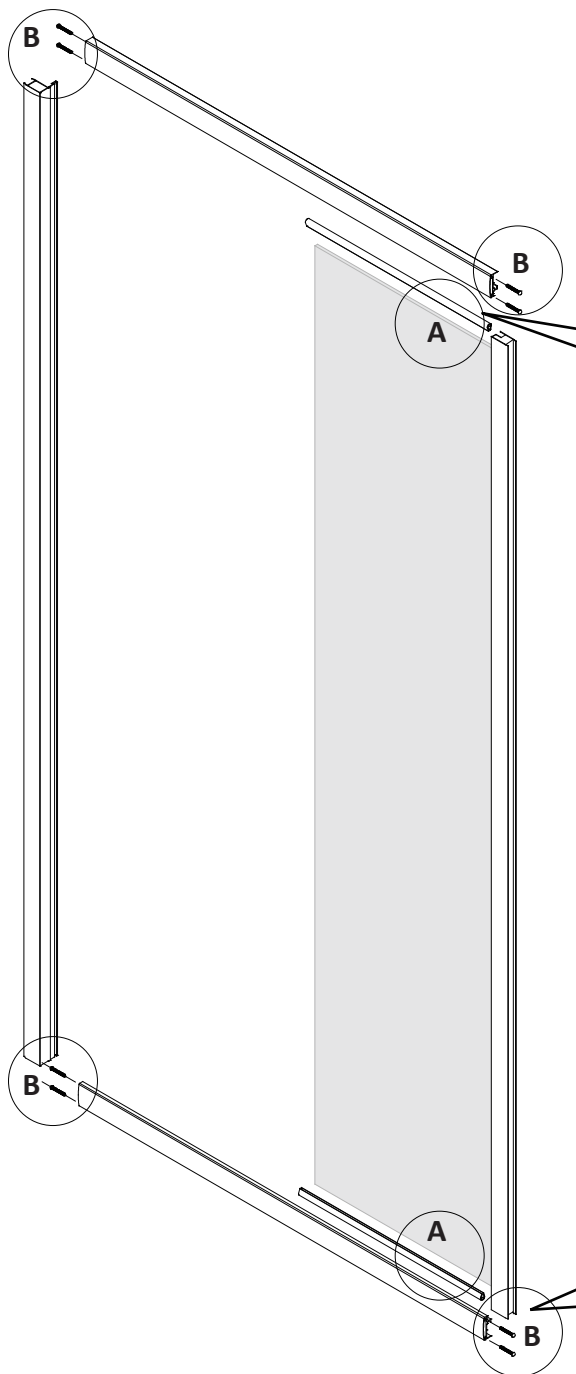
- | | | |
|-------------------------------------------|-------------------------|------|
| 1.. Fixed panel | | x 1 |
| 2.. Moving panel | | x 1 |
| 3.. Wall channel | LR8654-S1S | x 2 |
| 4.. Magnetic profile | LR8657-S1 | x 1 |
| 5.. Top and Bottom profiles | LR8656-S1T & LR8656-S1B | x 2 |
| 6.. Gasket | 303A | x 2 |
| 7.. Fixed panel vertical seal | 304B-1 | x 1 |
| 8.. Moving panel vertical seal | 304B-2 | x 1 |
| 9.. Magnetic strip | 308GB-6 | x 1 |
| 10.. Top runner | S1HW22 | x 2 |
| 11.. Bottom runner | S1HW23 | x 2 |
| 12.. Handle | S1HW24 | x 1 |
| 13.. Wall plug | SBLTL001 | x 6 |
| 14.. Horizontal frame fixing screw ST4x45 | SBLTL014 | x 8 |
| 15.. Wall profile fixing screw ST4x30 | SBLTL013 | x 6 |
| 16.. Vertical frame fixing screw ST3.5x12 | SBLTL003 | x 6 |
| 17.. Screw cover cap | S1PS07 | x 12 |
| 18.. Screw cover cap | S1PS08 | x 12 |
| 19.. Upright profile cap | S1PS05 | x 2 |
| 20.. Wall channel cap | S1PS04L/R | x 2 |

*TRAY MUST BE SEALED FULLY AROUND
WHERE THE TRAY MEETS THE WALL
TRAY MUST BE 100% LEVEL IN ALL DIRECTIONS*



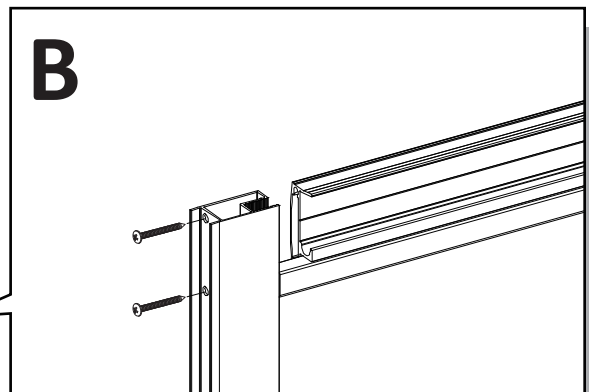
**TRAY MUST BE 100% LEVEL IN ALL DIRECTIONS
TRAY MUST BE SEALED FULLY AROUND WHERE
THE TRAY MEETS THE WALL**

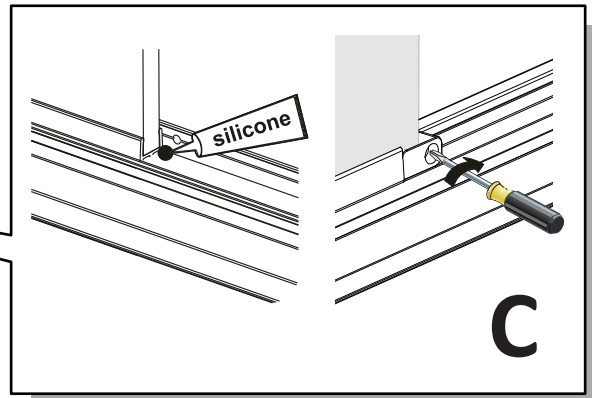
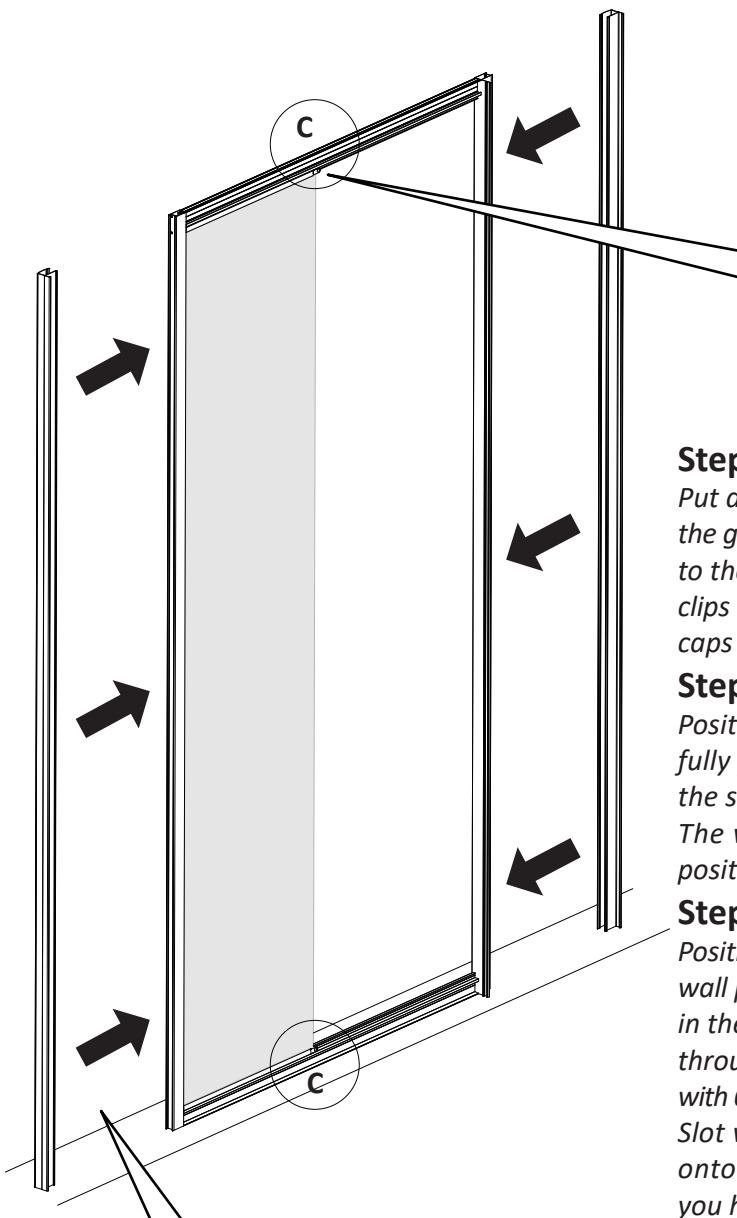
Ensure the shower tray is level in all directions and is properly sealed to the wall. The wall must be tiled down to the top edge of the tray. Do not angle out bottom tile.



Step A
*Insert the gasket **303A** on the top and bottom of the fixed panel.*

Step B
*Fixed the top and bottom profile **LR8656-S1T & LR8656-S1B** with fixed panel and magnetic profile **LR8657S1** Using screws **SBLTL014**.*





Step C

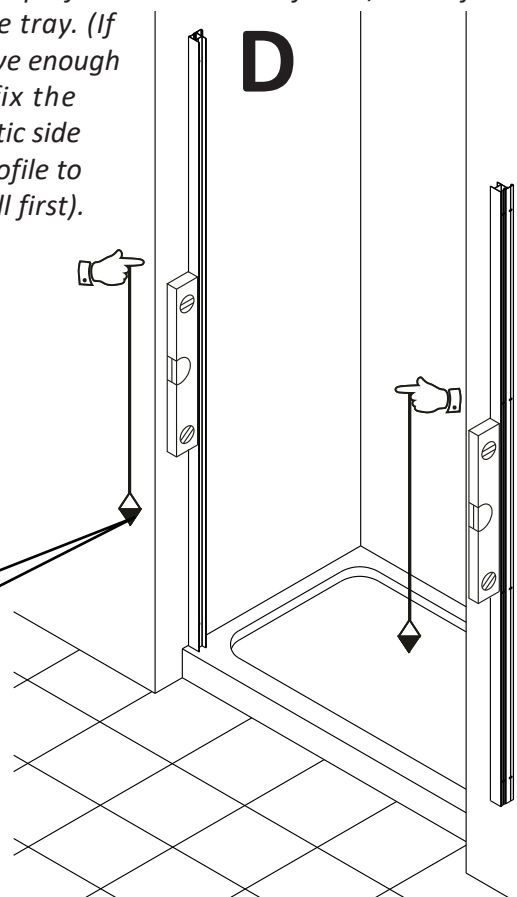
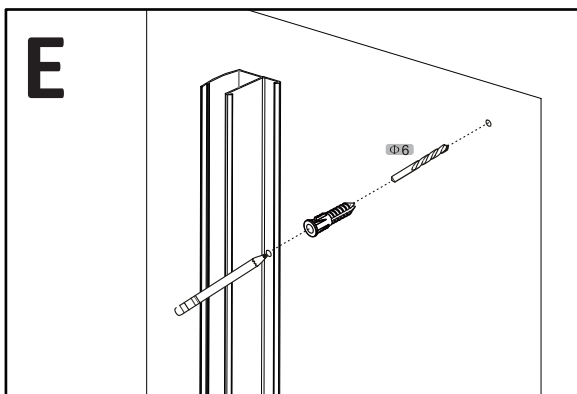
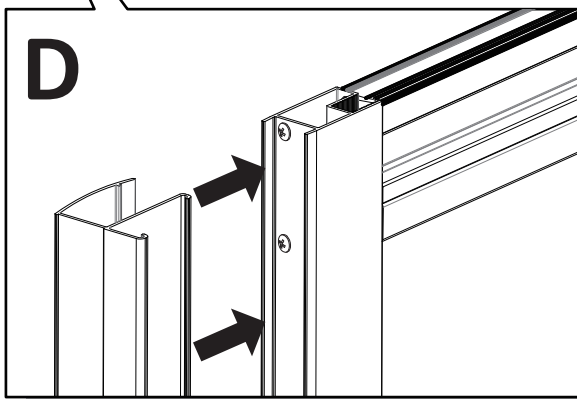
Put a small amount of silicone in the corner between the glass and the profile where the glass clips are fixed to the top and bottom profile. Then tighten the glass clips with screws as Fig.C shown, and put the glass clip caps on.

Step D

Position the assembled door frame (with wall profile fully pushed into frame) onto the tray and decide on the step in from the edge of the tray to wall profiles. The wall profiles can be adjusted until the door is positioned correctly on the tray.

Step E

Position the wall profiles back on the tray ensuring the wall profiles are plumb, mark the position of the holes in the wall. Do this by marking the wall with a pencil through the pre-drilled holes in the wall channel. Drill with 6mm masonry drill bit and insert wall plug **SBLTL001**. Slot wall profiles into the door frame, then lift door onto the tray. (If you have enough room fix the magnetic side wall profile to the wall first).



Step F

Fix the wall channel with screw cover cup **S1PS07** and screws **SBLTL013** to wall.

Step G

Install the top and bottom roller **S1HW22/S1HW23** to the top and bottom holes of the moving panel. See G.1 and G.3. Slot rollers into the top profile and then clip in the bottom rollers as shown in G.4, G.5 and G.6.

Step H

Drill 3 equally spaced holes with 3mm drill bit through the wall profile and frame. Fix the frame to the wall profile with screw cover cup **S1PS07** and screws **SBLTL003**. Then put the screw cover cap **S1PS08** on.

Step I

Attach the magnetic strip **308GB-6** to the front of the moving panels. Adjust the magnetic strip to ensure there is no gaps when the door is closed.

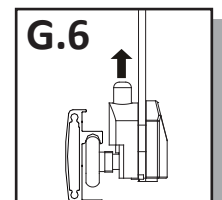
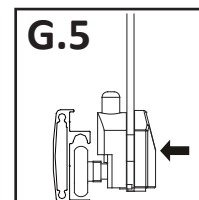
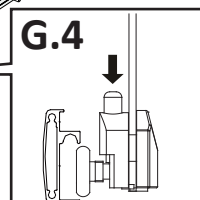
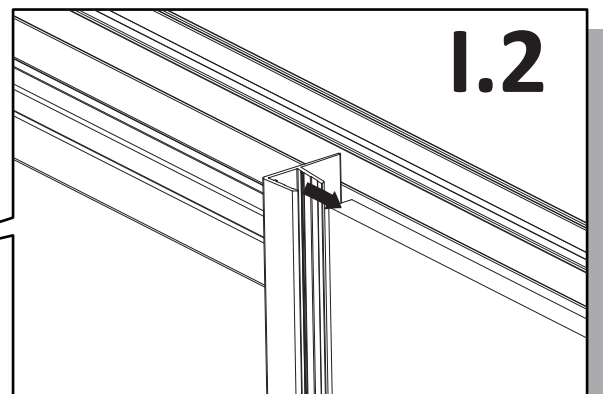
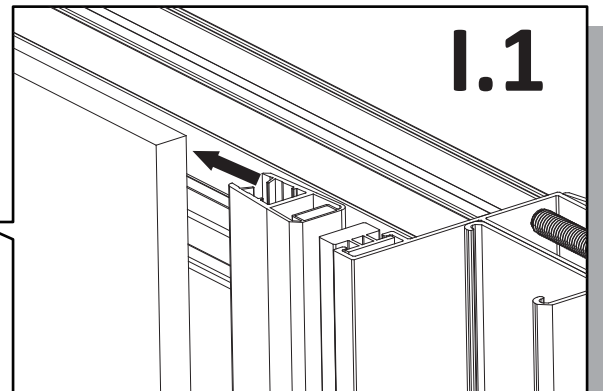
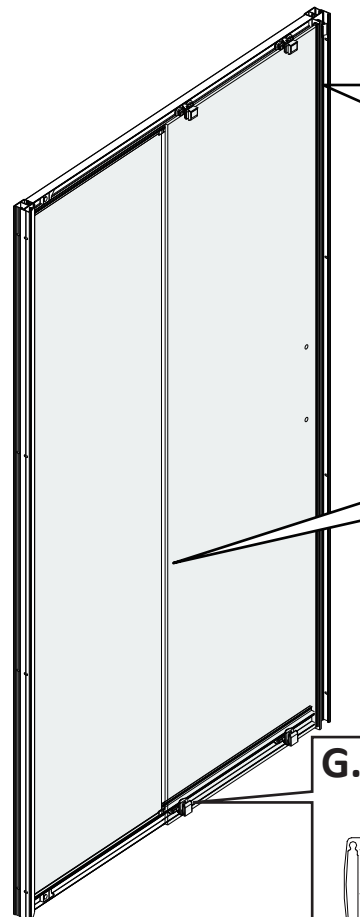
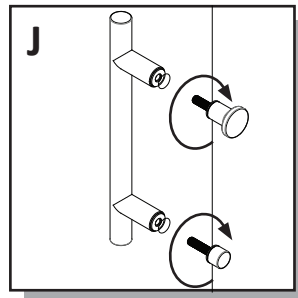
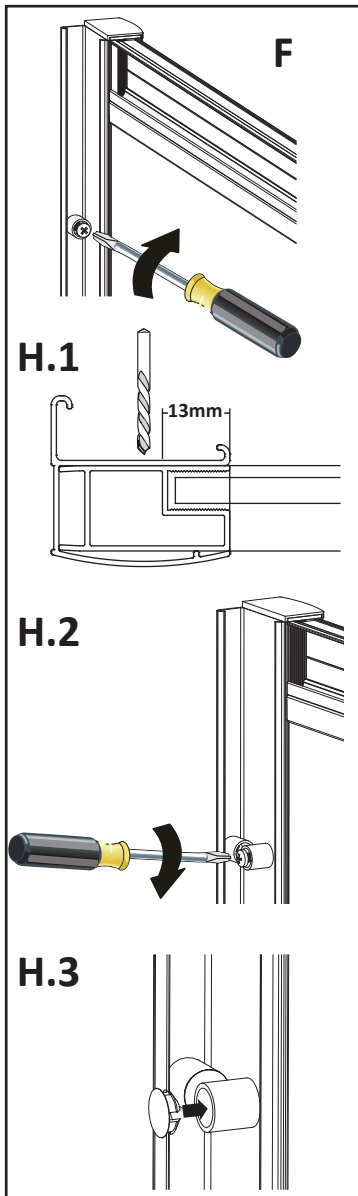
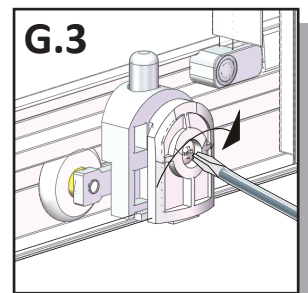
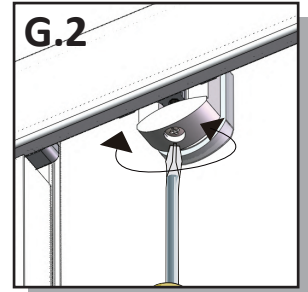
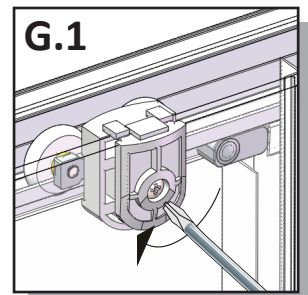
Attach the Fixed panel vertical seal **304B-1** to the fixed panel.

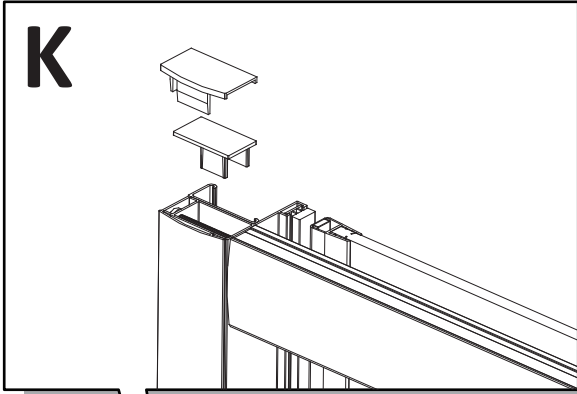
Attach the Moving panel vertical seal **304-2** to the end of moving panel.

Step J

Assemble the handle **S1WH24** onto moving panel.

Note: To ensure the correct rolling action and the door closes on the profile evenly, adjust the roller by adjusting the screw clockwise or anticlockwise as shown in G.2



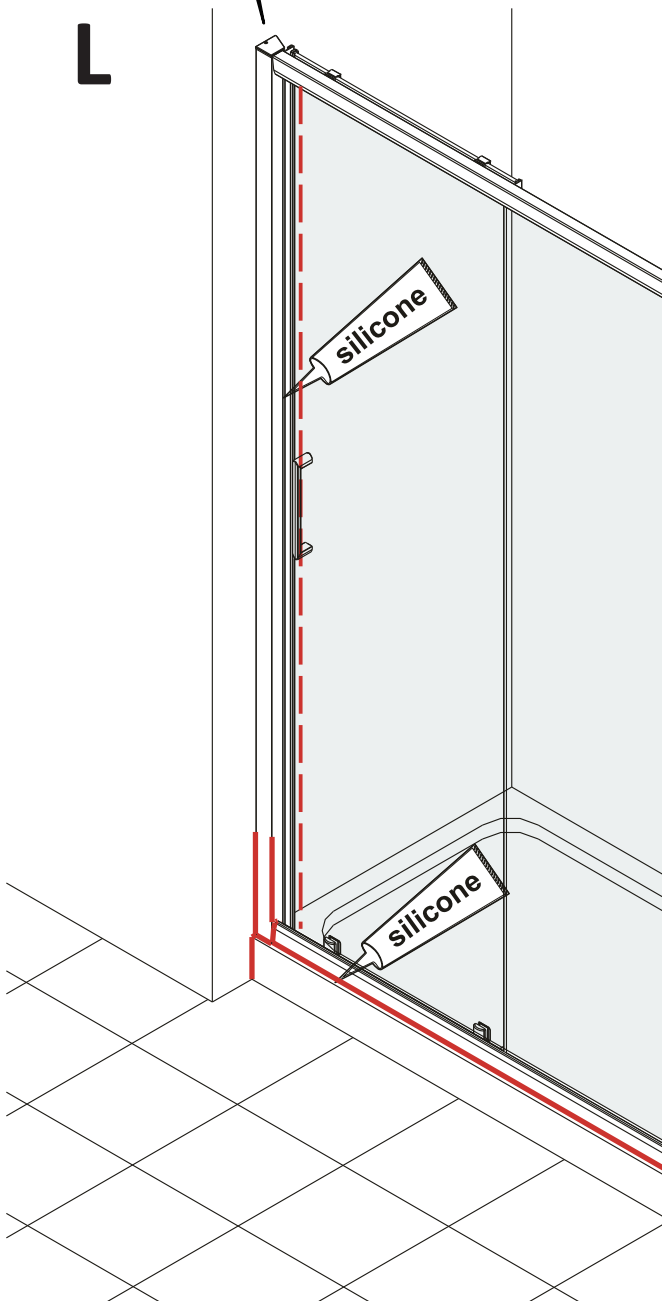


24 HRS



DO NOT USE THE ENCLOSURE FOR 24 HOURS AFTER SEALING

L



Step K

Put the upright profile cap S1PS05 and wall channel cap S1PS04L/R on.

Step L

Applying Silicone Sealant

When applying silicone sealant follow the red line shown in the diagram on the outside only.

IMPORTANT: Do not apply sealant on inside of the tray where the door meets the tray horizontally.

Sealing Outside

Seal horizontally between the tray and the bottom profile. Also seal vertically around 30mm between the wall channel and wall and also between the wall channel and the vertical profile.