

PRODUCT DATA SHEET

S8 Wetroom Panel 600x2000mm

Product Code: S8-WET600CHR



SCUDO
BEAUTIFUL BATHROOMS

0330 124 7290

sales@scudo.co.uk - www.scudo.co.uk

Scudo is the trading name of Harrison Bathrooms Ltd. Whilst we endeavour to ensure that the product information is accurate we accept no liability for any information given. All images are for illustration purposes only. Product images and specification are subject to change. Measurement are in millimetres and are nominal.

Product Measurements

Product Weight:	23kg
Product Width:	600mm
Product Height:	2000mm
Product Depth:	8mm
Product Length:	N/A

Product Transportation

Barcode:	5060766124049
Country of Origin:	China
Comodity Code:	7610909095

Primary Packed Measurements

Packaged Weight:	25kg
Packaged Length:	2080mm
Packaged Width:	680mm
Packaged Height:	63mm

Packaging Weight

Card:	2.9kg
Paper:	N/A
Wood:	N/A
Plastic:	N/A

General Information

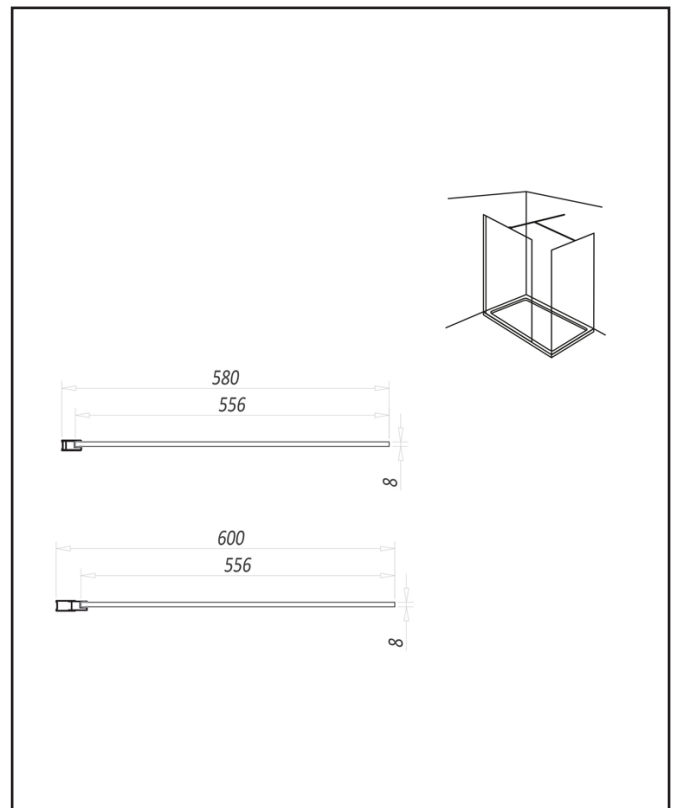
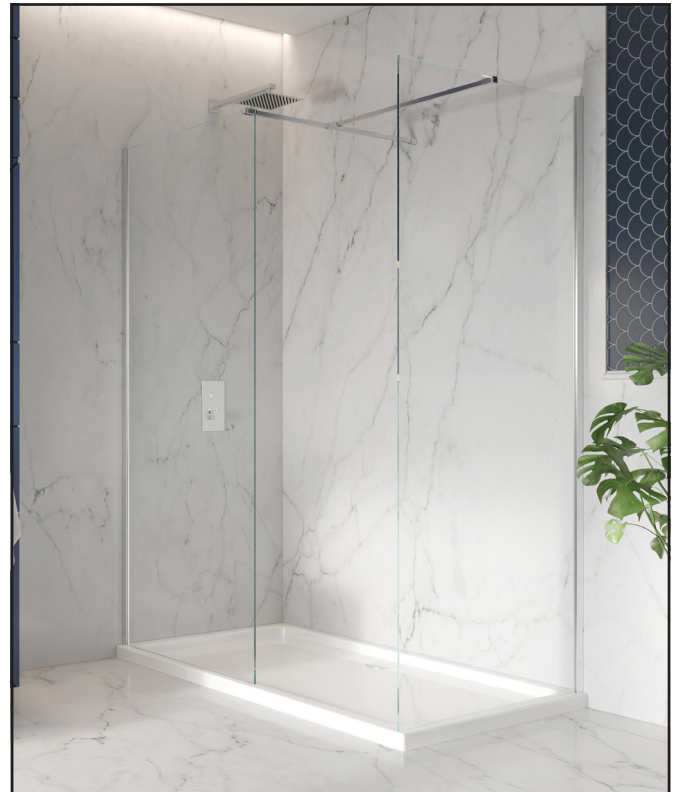
Construction Material:	Aluminium / Glass
Installation Type:	Wall Mounted
Colour / Finish:	Chrome / Clear Glass

Enclosure Attributes

Adjustment:	570-590mm
Aqua-Shield:	Yes
Hinge Type:	Wet Wall
Door Type:	N/A
Frame Type:	Frameless
Glass Type:	Clear
Radius:	N/A
Entry Width:	N/A
Door In Swing:	N/A
Door Out Swing:	N/A
Enclosure Shape:	Straight
Glass Thickness:	8mm
Profile Finish/Colour:	Chrome
Profile Material:	Aluminium

Compliance DOP

HBDOC021 / HBDOC022



Dimensions

(measurements in mm)



LIFETIME GUARANTEE

We are confident in our products and we want our customer to be, we proudly give a lifetime guarantee on our taps and showers, further details can be found on our website