

# MERLYN 8 | series

## Curved Shower wall

### IMPORTANT

Thank you for choosing Merlyn. Please familiarise yourself with the fitting instructions before commencing fitting.

1. Check that you have the tools required.
2. Check that the installation site is compatible with size of door supplied
3. Check all the enclosure components.
4. Check that the installation kit is complete

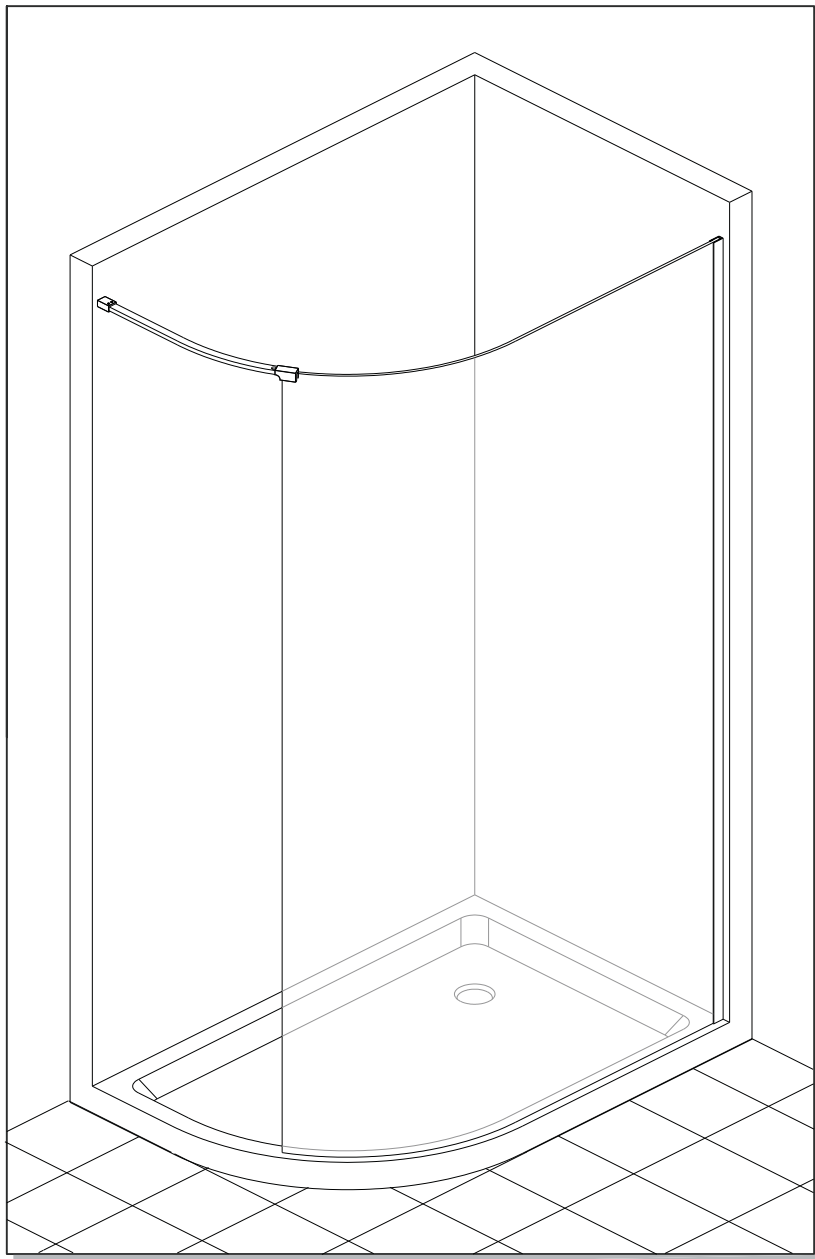
**DO NOT attempt** to install the product unless you can tick ALL 4 boxes as satisfactory.

The wall plugs supplied with the installation kit are for use in solid walls. Hollow or 'stud-partition' walls will require alternative fixings. Please consult a hard ware supplier for the correct type.

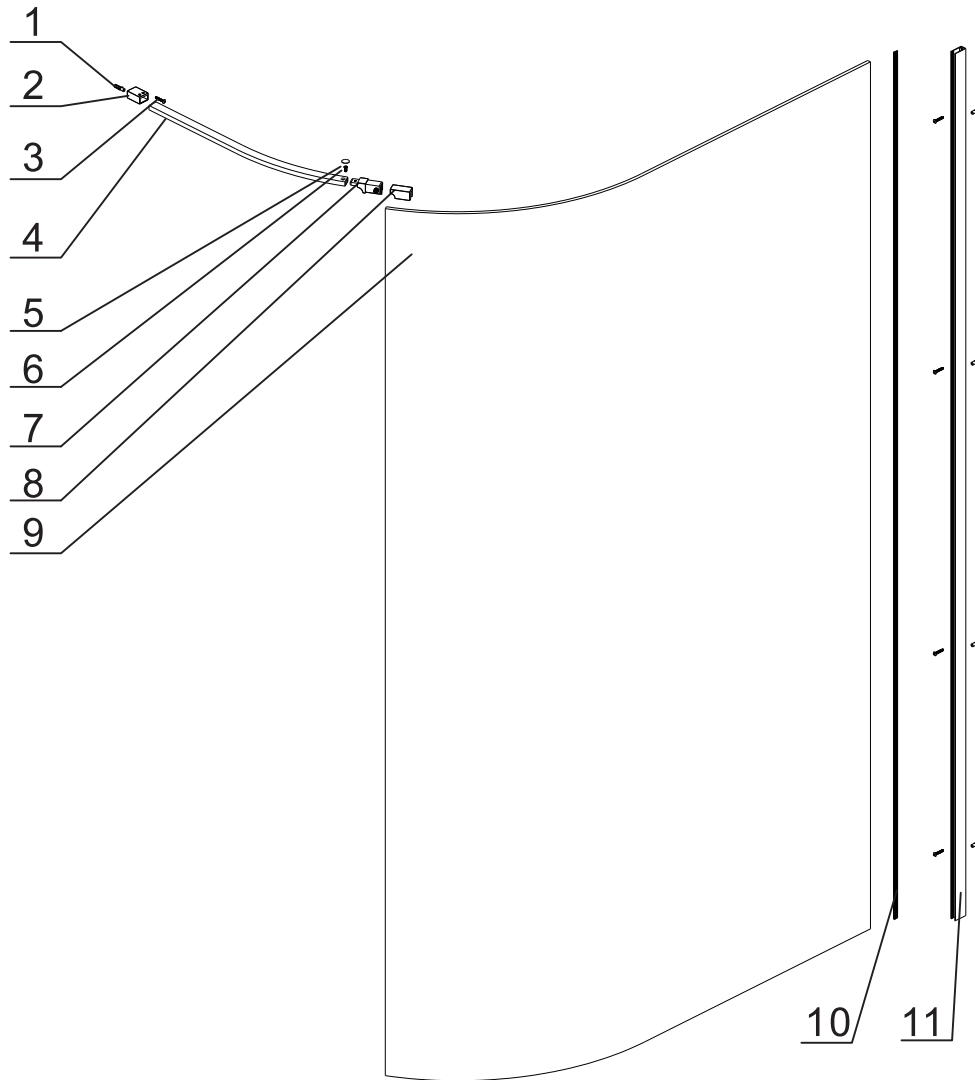
It may also be necessary to consult your tiling supplier about the correct method for drilling your tiles.

**USE SAFETY EYEWEAR WHEN DRILLING**

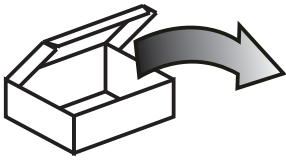
Any parts missing or damaged must be reported to your supplier within 5 days of purchase. Inspect shower enclosure before fitting as no claims will be acceptable after product has been installed.



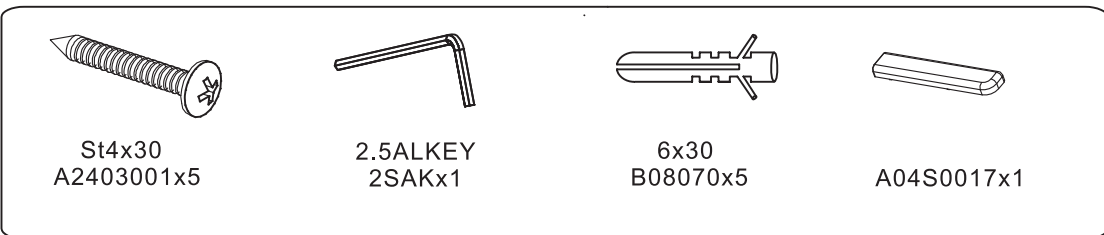
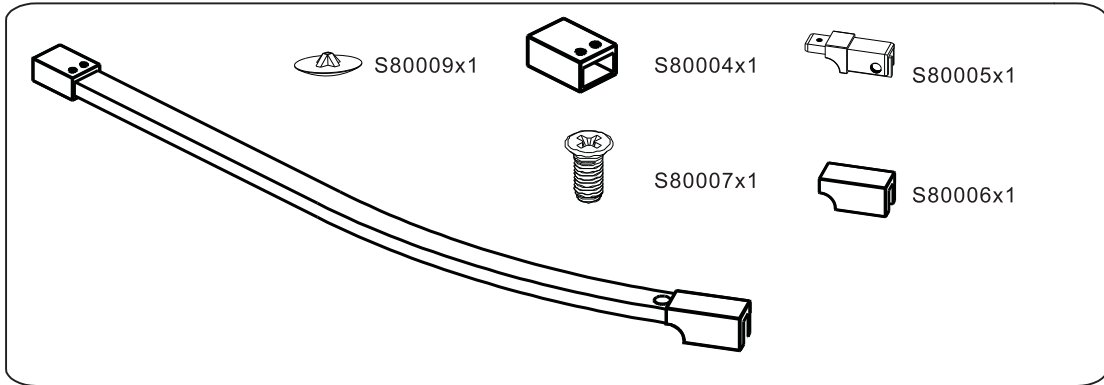
# MERLYN 8 | series



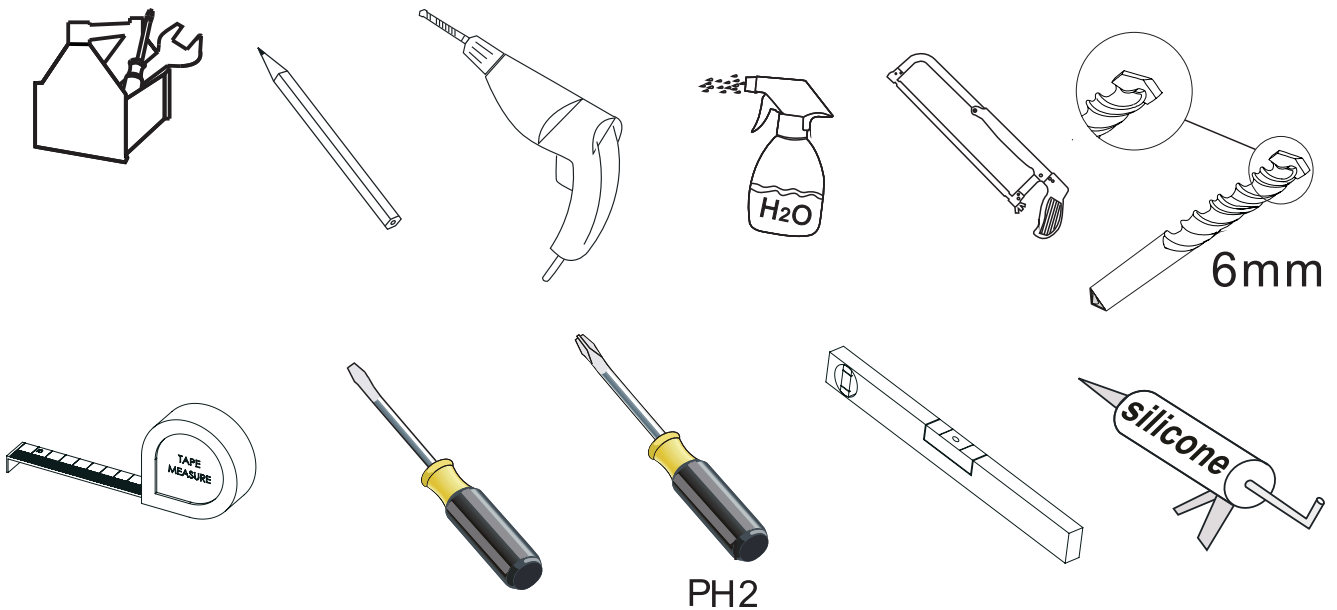
NO.	Description	QTY	Part No.	NO.	Description	QTY	Part No.
1	Standard wall plug 6*30	5	B08070	7	Rail glass bracket	1	S80005
2	Rail wall bracket	1	S80004	8	Glass bracket clip	1	S80006
3	Screw ST4*30	5	A2403001	9	Glass	1	A
4	Top rail	1	S80003	10	Seal	1	S80002
5	Rail to rail glass bracket screw M4*8	1	S80007	11	Wall profile	1	S80001
6	S8 CSW screw Cover Cap	1	S80009				



## Fixing kit components



## Tools required

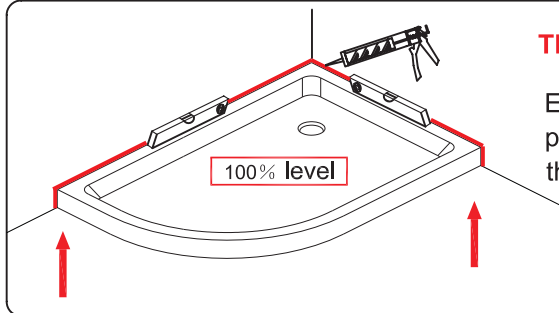


## PROCEDURE

CAN BE FITTED ON TRAY OR IN WETROOM SITUATION

**Wetroom option:** Floor must be 100% level where panel is positioned.

**Quadrant tray:** This screen has been designed to suit a standard R550 Quadrant shower tray.



**TRAY MUST BE LEVEL IN ALL DIRECTIONS!**

Ensure the shower tray is level in all directions and is properly sealed to the wall. The wall must be tiled down to the top edge of the tray. **Do not angle out bottom tile.**

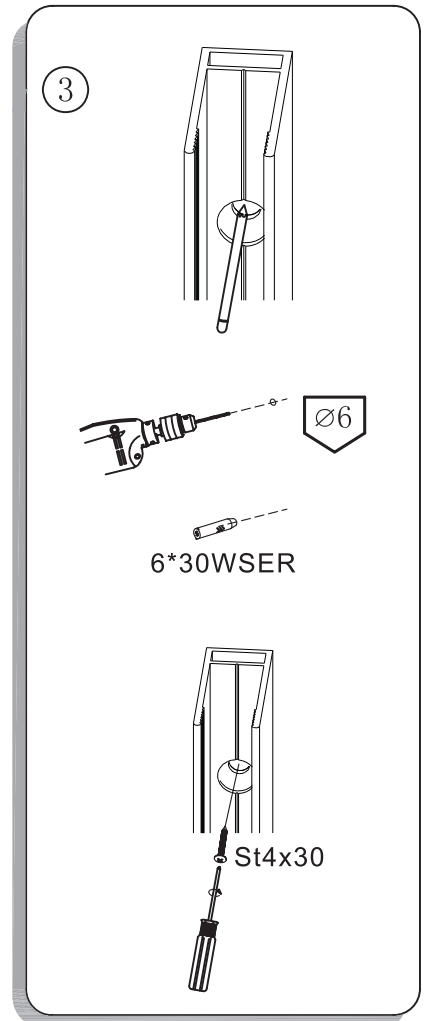
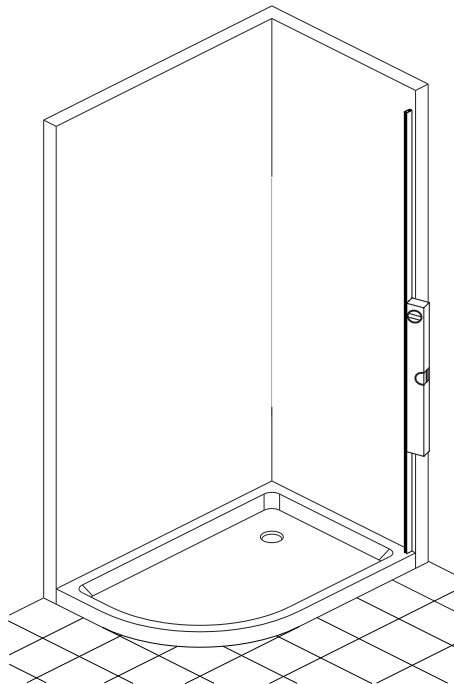
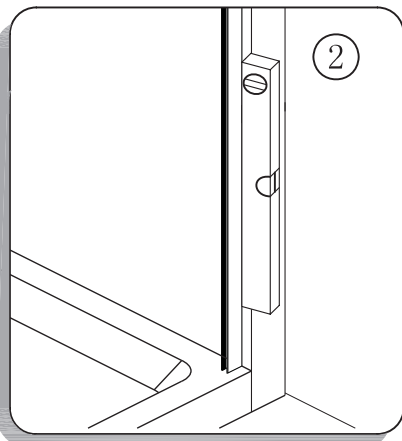
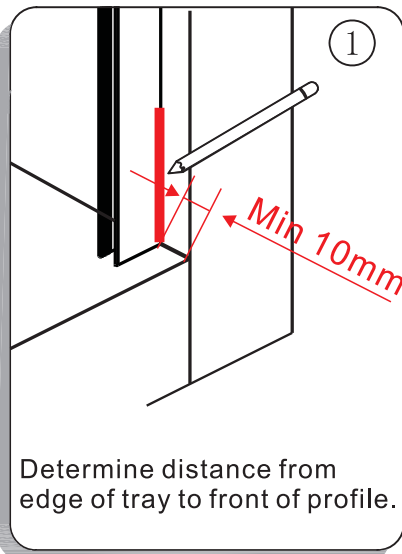
**BEFORE YOU BEGIN INSTALLATION THE TRAY MUST BE SEALED FULLY AROUND WHERE THE TRAY MEETS THE WALL.**

**Step 1.** Determine your step in. A min of 10mm step from the outside of the tray is recommended

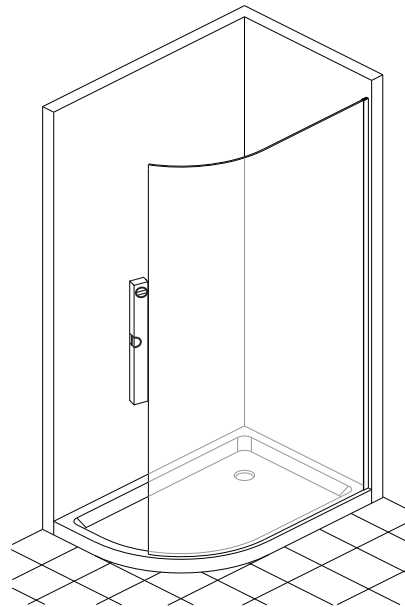
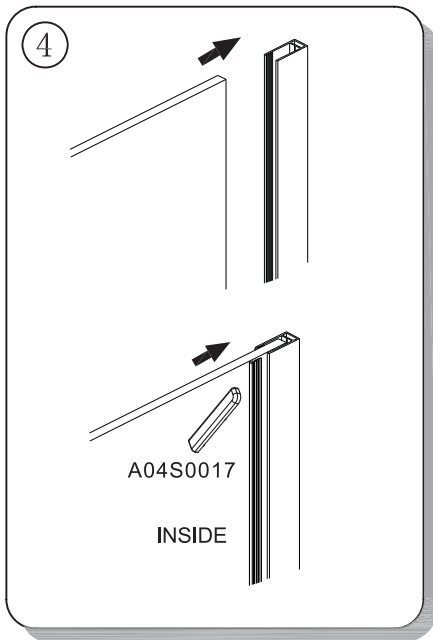
**Note:** A dry fit is recommended to make sure that your screen is fully supported and positioned correctly before and fixing positions are drilled. once confirmed remove the glass from the profile ready for marking.

**Step 2.** Making sure your wall profile is plumb mark the fixing positions using the holes in the profile as a guide. Remove the profile and drill with the 6mm masonry bit then insert the 6\*30 wall plugs.

**Step 3.** Fix wall profile to the wall using wall fixing screw **ST4X30**.



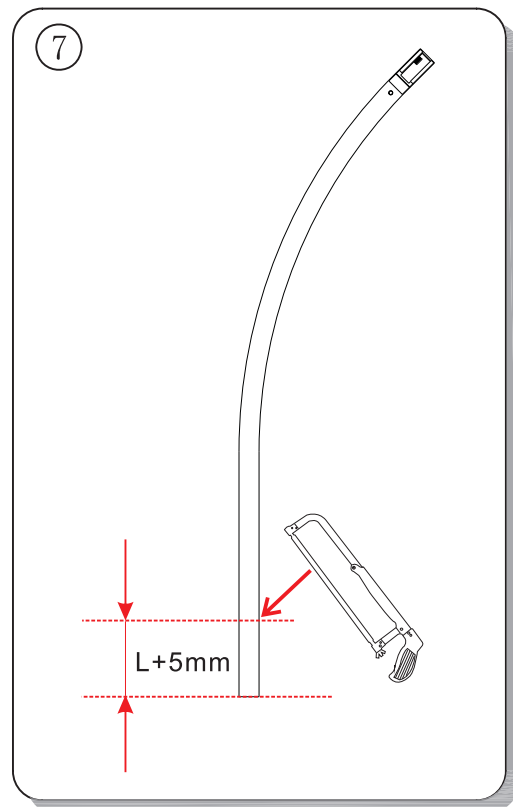
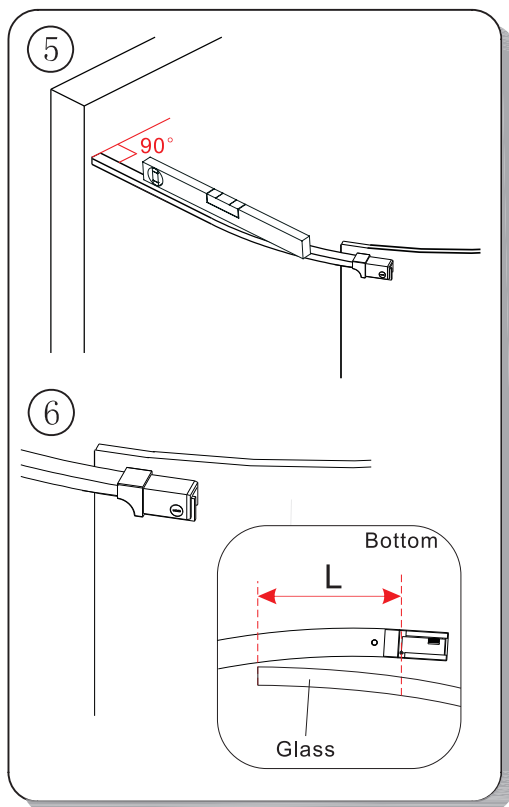
**Step 4.** Secure the glass into the profile by using part **A04S0017**. Run the seal from the top of the profile to the bottom making sure it is fully pushed in. A small amount of water can be used to lubricate the seal if needed.



**Step 5.** Remove the wall bracket from the support bar and hold it level at 90 degrees to the back wall.

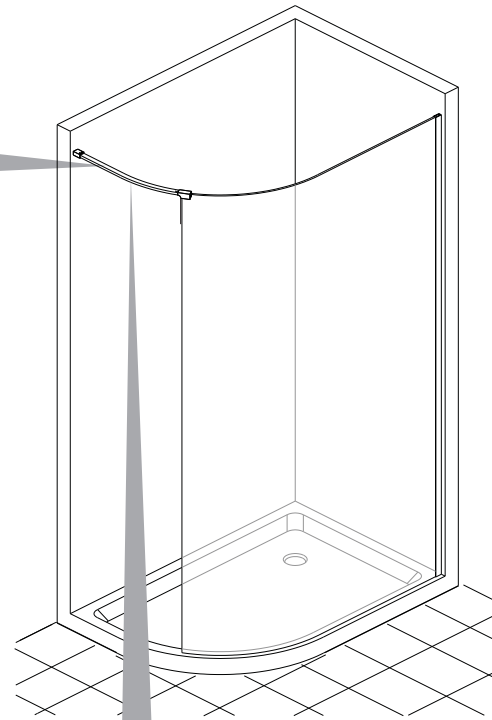
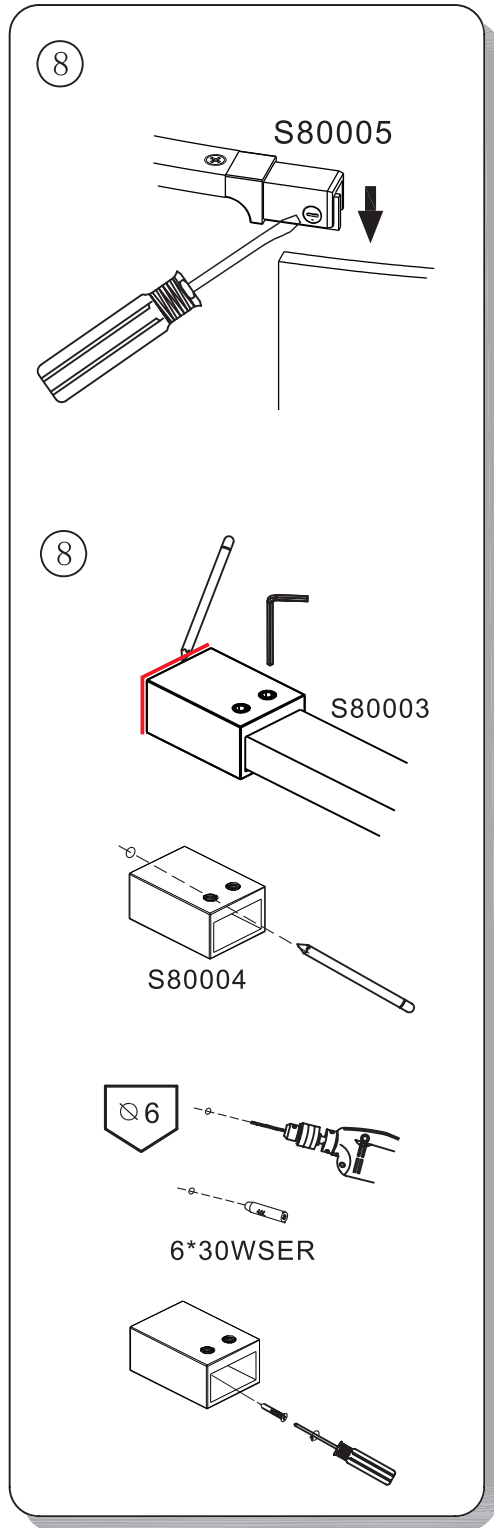
**Step 6.** Measure the distance L from the edge of the glass to the slot in the bracket.

**Step 7.** Cut L + 5mm from the straight end of the top rail.

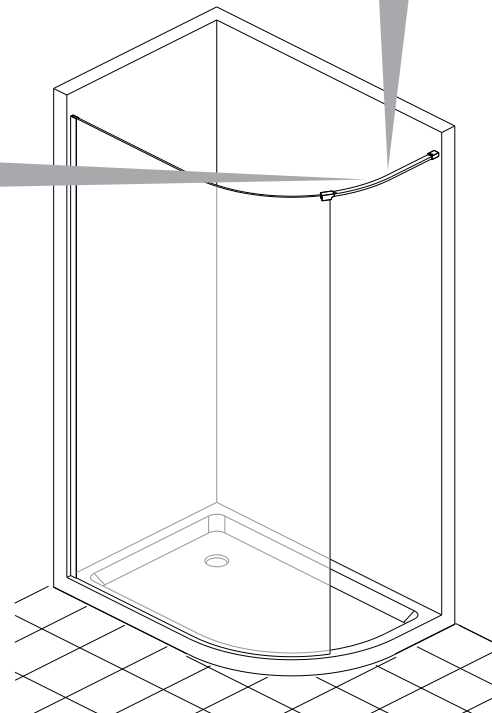
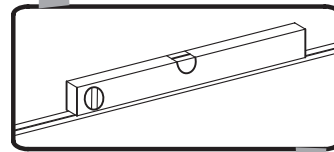


**Step 8** Loosen screws **M8\*6** on the glass clamp **S80005** and place down on to the top corner of the glass panel.

**Step 9** Loosen screw **S8GRBSC** on the wall bracket and slot it onto the support bar **S80003**. Put the wall bracket against the wall, adjust the top rail to make it level. Mark hole's position on the wall, drill a hole with 6mm masonry bit and put in the wall plug **St4 7\*36PLUG**. Fix the wall bracket to wall using **ST5\*40** screw.



Left Hand configuration



Right Hand configuration

## Left hand rail fixing

**Step 10** Slot rail into wall bracket.

**Step 11** Slot rail onto glass and tighten screw **M8\*6** Fix rail to wall bracket with screw.

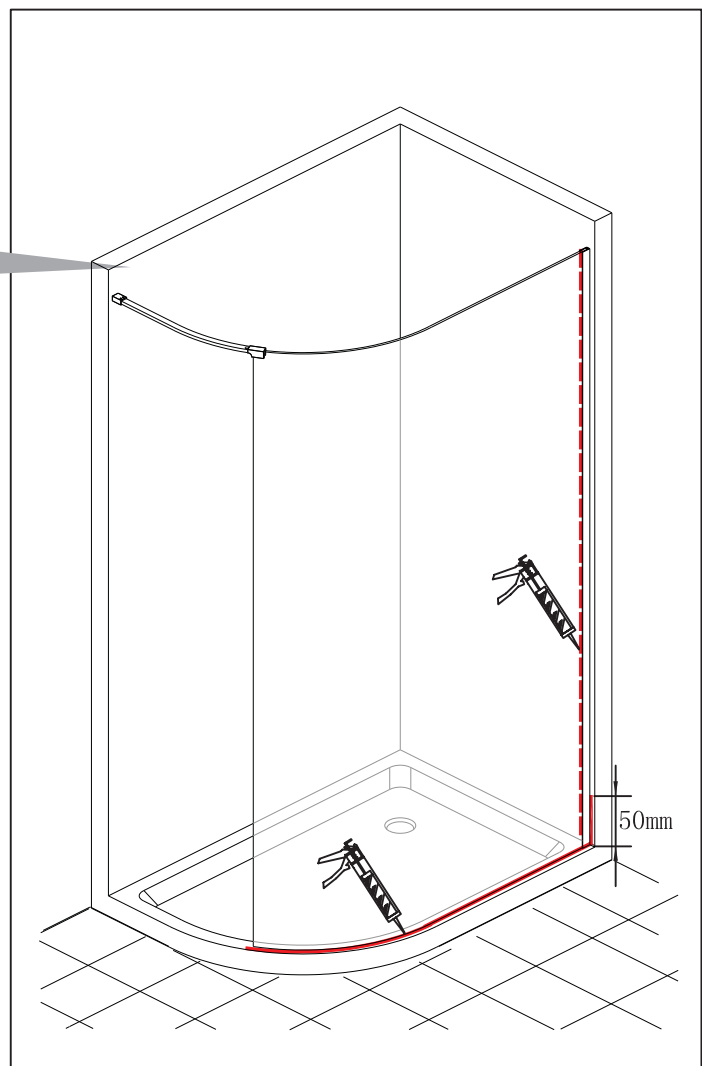
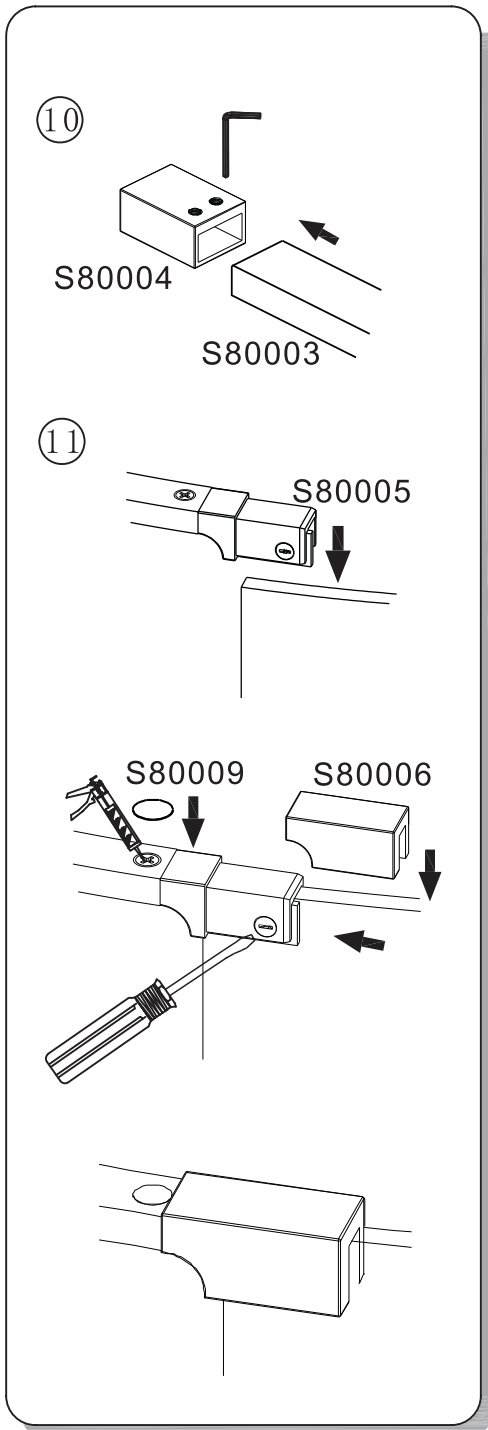
### SEALING INSIDE

Seal top to bottom on the **INSIDE** between the wall profile and the wall. Note: do not apply sealant on the inside of the tray / floor.

### SEALING OUTSIDE

Seal only along bottom on the **OUTSIDE** between it and the tray / floor and approx 50mm up between the wall profile and the wall.

**24 HRS**



## Right hand rail fixing

**Step 12.**  
Slot rail into wall bracket.

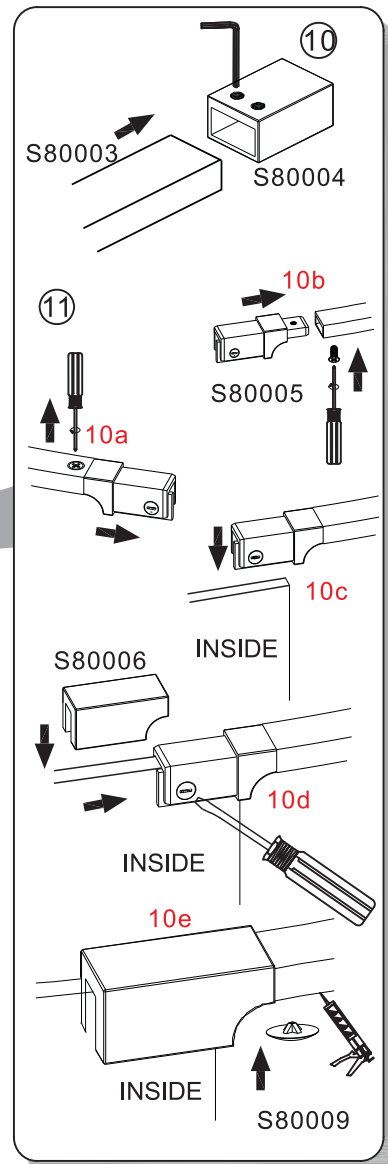
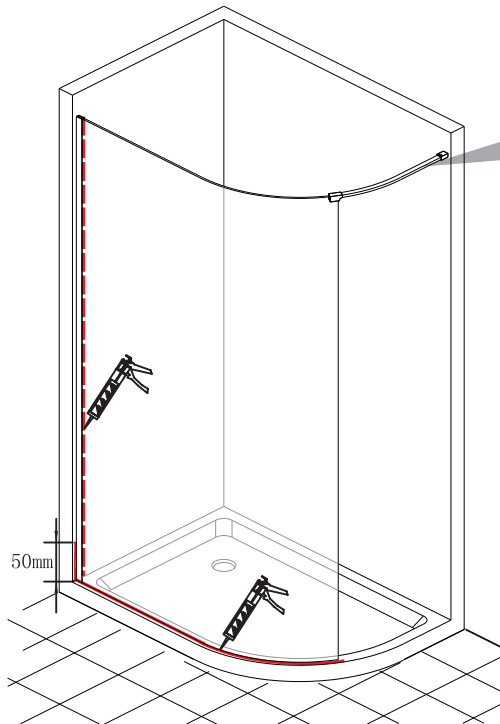
**Step 13.**  
Slot rail onto glass and tighten screw **M8\*6** Fix rail to wall bracket with screw

### SEALING INSIDE

Seal top to bottom on the **INSIDE** between the wall profile and the wall. Note: do not apply sealant on the inside of the tray / floor.

### SEALING OUTSIDE

Seal only along bottom on the **OUTSIDE** between it and the tray / floor and approx 50mm up between the wall profile and the wall.



1. Is the tray / floor level where the showerwall is located? (see page 3)
2. Is the showerwall sealed correctly to the floor and wall in the correct location (see page 6)
3. Is the wall profile plumb? (see step 1)
4. Top rail will not reach the back wall? Ensure that the back wall is not leaning back away from the tray at the top – The distance from the inside of the glass panel at the top to the back wall should be maximum 1000mm (see step 1)

## SHOWER WALL

WE ARE SURE YOU WILL BE PLEASED WITH YOUR NEW MERLYN SHOWER DOOR.

Where a shower door has been installed contrary to these instructions, Merlyn cannot accept responsibility for any loss or damage, however caused, and any on-site service incur a charge.

[www.merlynbathrooms.com](http://www.merlynbathrooms.com)

**FAILURE TO FOLLOW THE NEW INSTRUCTIONS CORRECTLY MAY INVALID YOUR GUARANTEE**

<b>CE</b>	
Merlyn Industries LTD (MER09)	
DOP:CE8CSW1.1	
<b>17</b>	
<b>EN 14428</b>	
Shower enclosures with aluminium profiles and safety glass	
Cleanability	:Pass
Impact resistance/ shatter properties	:Pass
Durability	:Pass

To download the Declaration of Performance (DOP) for this product please use the link below.  
<https://merlynshowering.com/aftersales-support/dop-certs/>