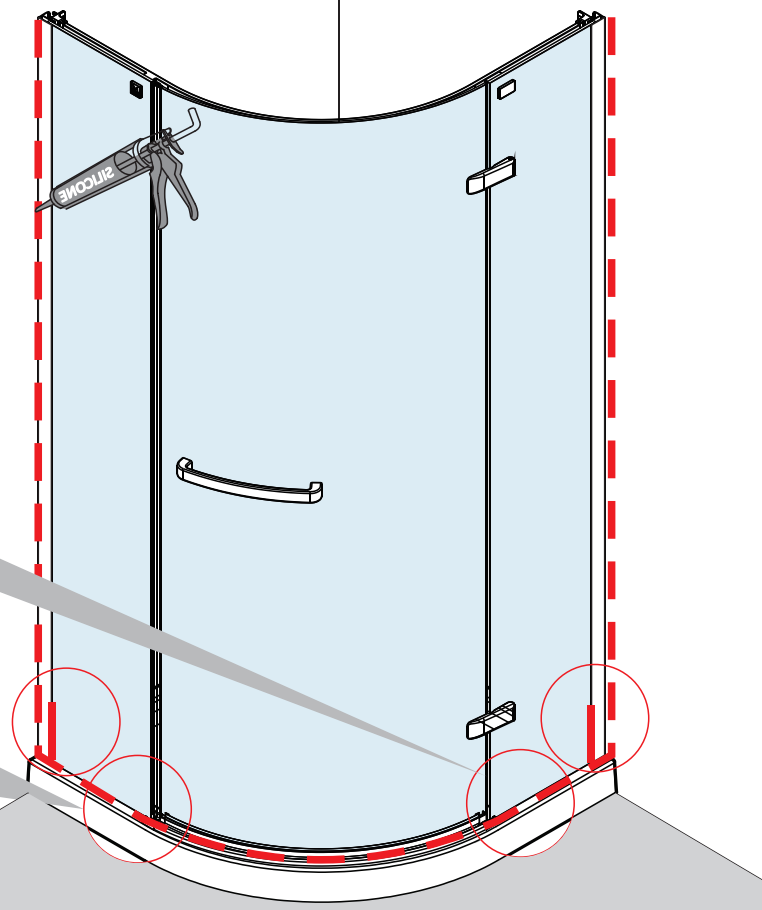
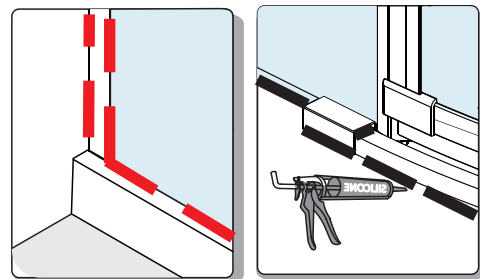
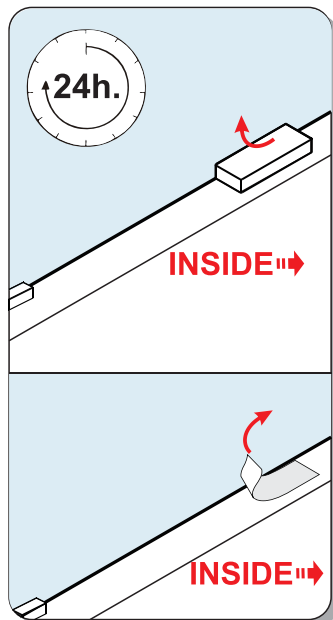
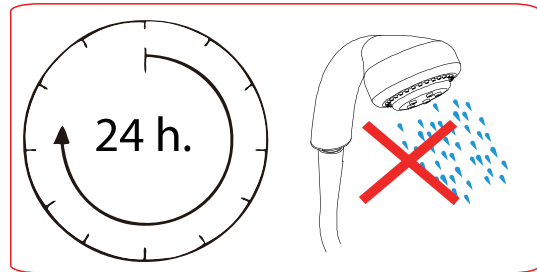


30

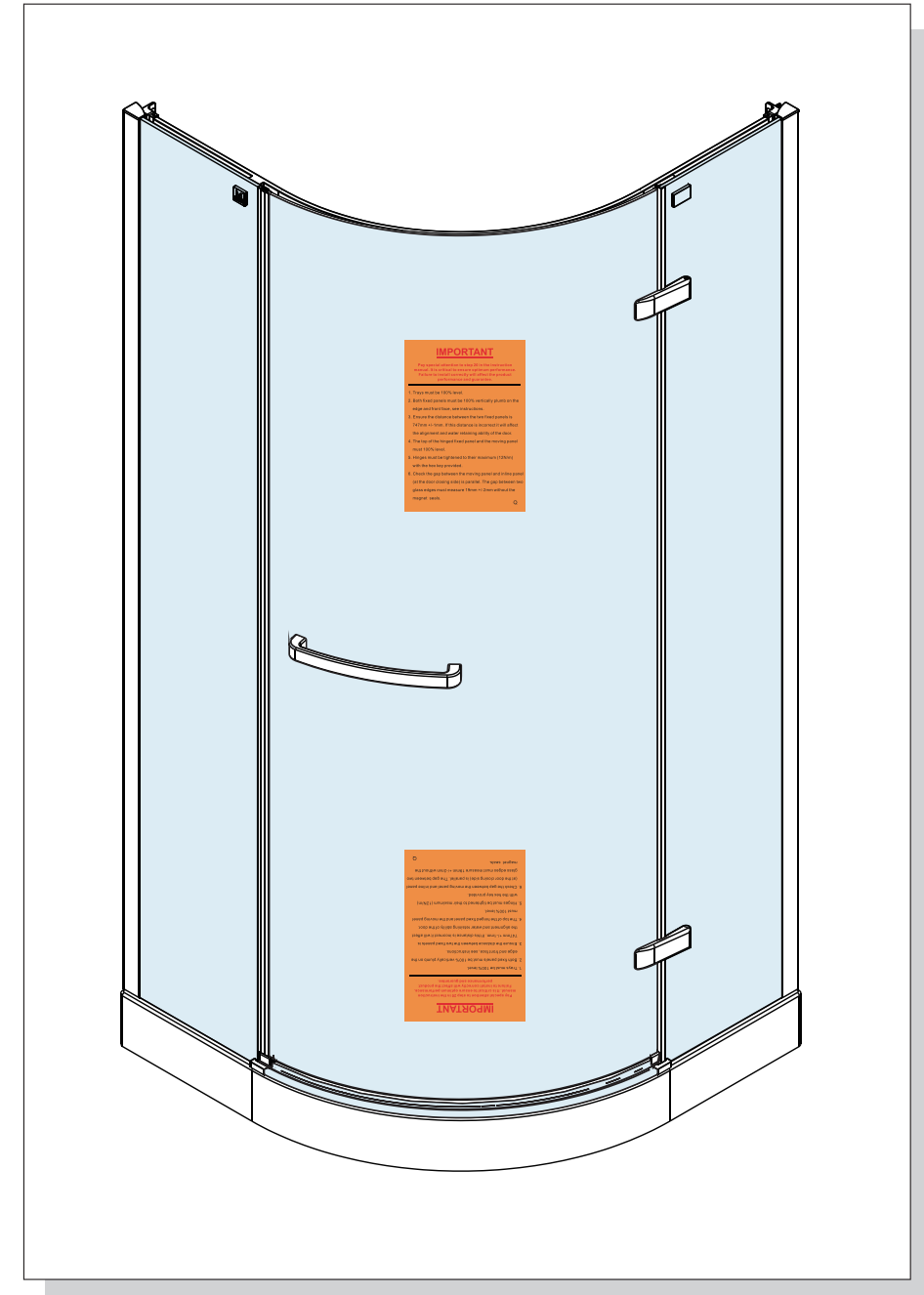


To download the Declaration of Performance (DOP) for this product please use the link below.

<https://merlynshowering.com/aftersales-support/dop-certs/>

For further information please contact IRL: 056 7791 555, UK: 08081011429

# 1 DOOR QUADRANT



# INSTALLATION GUIDE

HINGE DOOR

IMPORTANT

Thank you for choosing Merlyn. Please familiarise yourself with the fitting instructions before commencing fitting.

- 1 Check that you have the tools required
- 2 Check that the installation site is compatible with size of door supplied
- 3 Check all the enclosure components
- 4 Check that the installation kit is complete

**DO NOT** attempt to install the product unless you can tick **ALL 4** boxes as satisfactory.  
 The wall plugs supplied with the installation kit are for use in solid walls. Hollow or 'stud - partition' walls will require alternative fixings. Please consult a hardware supplier for the correct type.  
 It may also be necessary to consult your tiling supplier about the correct method for drilling your tiles.

**USE SAFETY EYEWEAR WHEN DRILLING**

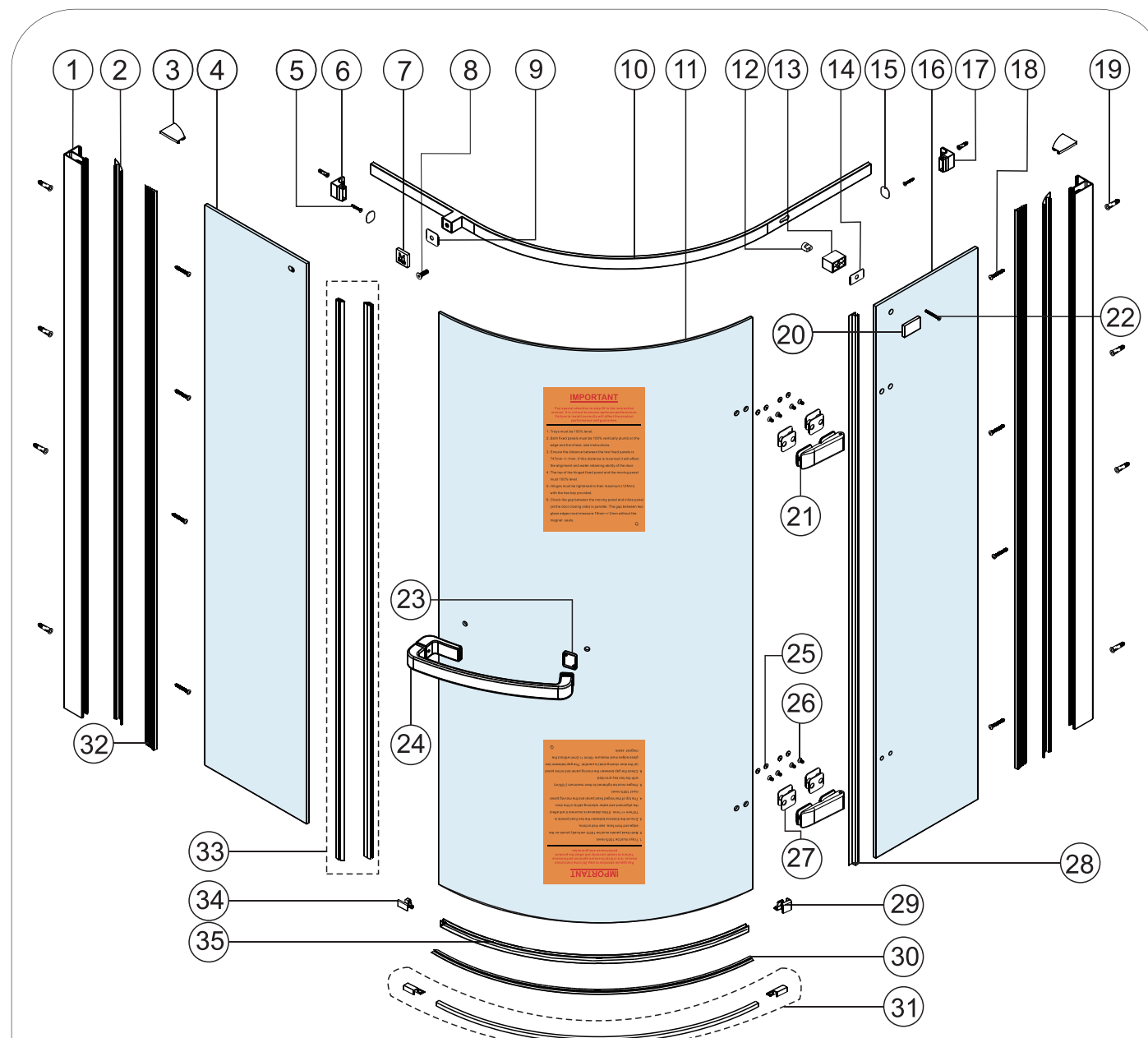
Any parts missing or damaged must be reported to your supplier within 5 days of purchase. Inspect shower enclosure before fitting. No claims will be accepted after product has been installed.

**IMPORTANT**

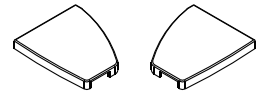
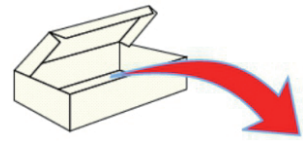
Pay special attention to step 20 in the instruction manual. It is critical to ensure optimum performance. Failure to install correctly will affect the product performance and guarantee.

1. Trays must be 100% level.
2. Both fixed panels must be 100% vertically plumb on the edge and front face, see instructions.
3. Ensure the distance between the two fixed panels is 747mm +/-1mm. If this distance is incorrect it will affect the alignment and water retaining ability of the door.
4. The top of the hinged fixed panel and the moving panel must 100% level.
5. Hinges must be tightened to their maximum (12N/m) with the hex key provided.
6. Check the gap between the moving panel and inline panel (at the door closing side) is parallel. The gap between two glass edges must measure 19mm +/-2mm without the magnet seals.

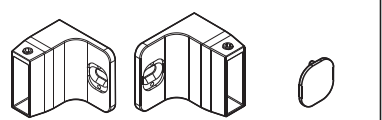
Q



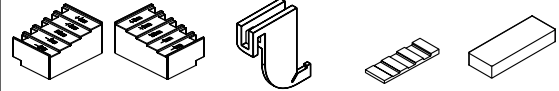
No.	Qty	Part No.	No.	Qty	Part No.	No.	Qty	Part No.
①	2	A06S0058	⑮	2	A06S0032	⑳	1	A06S0038
②	2	A01S0115	⑯	1	D	㉑	1	A06S0043
③	2	A06S0060	⑰	1	A06S0031	㉒	1	A06S0069
④	1	A	⑱	8	A06S0049	㉓	2	A01S0154
⑤	2	A06S0048	⑲	10	8SSJ066	㉔	1	A06S0044N
⑥	1	A06S0030	㉑	1	A06S0082	㉕	1	A06S0037
⑦	1	A06S0081	㉒	2	A06S0010	㉖	1	A06S0003
⑧	1	A06S0021	㉓	1	A06S0028			
⑨	1	A06S0020	㉔	1	A06S0016			
⑩	1	B	㉕	1	A06S0015			
⑪	1	C	㉖	8	A06S0012			
⑫	1	A06S0023	㉗	8	A06S0013			
⑬	1	A06S0024	㉘	8	A06S0011			
⑭	1	A06S0025	㉙	1	A06S0041N			



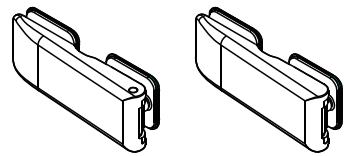
A06S0060 L/R  
×2



A06S0030 ×1  
A06S0031 ×1  
A06S0032 ×2



A06S0067 ×2  
A06S0039 ×3  
A06S0062 ×2  
A06S0063 ×2



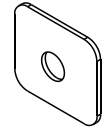
A06S0010  
×2



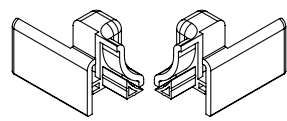
A06S0081  
×1



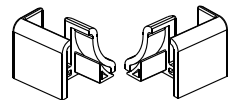
A06S0021  
×1



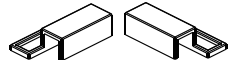
A06S0020  
×1



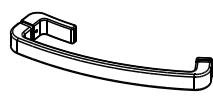
A06S0037 L/R  
×1



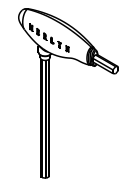
A06S0038 L/R  
×1



A06S0066 L/R  
×2



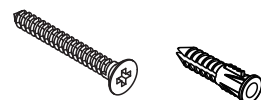
A06S0015  
×1



4mm  
A06S0046  
×1



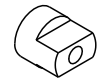
4x30  
A06S0049  
×8



4x30  
A06S0048  
×2



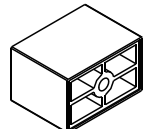
8SSJ066  
×10



A06S0023  
×1



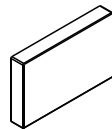
A06S0028  
×1



A06S0024  
×1



A06S0025  
×1



A06S0082  
×1



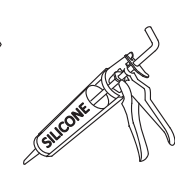
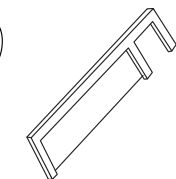
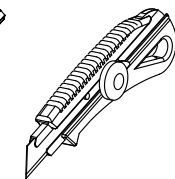
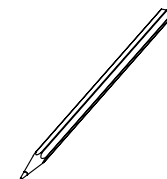
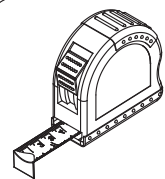
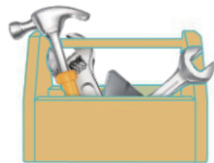
3.0mm  
8S1300611  
×1



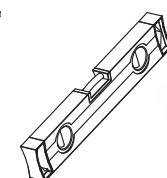
2.5mm  
8S1300511  
×1



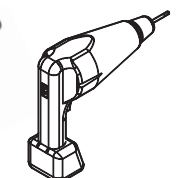
A09S0052  
×1



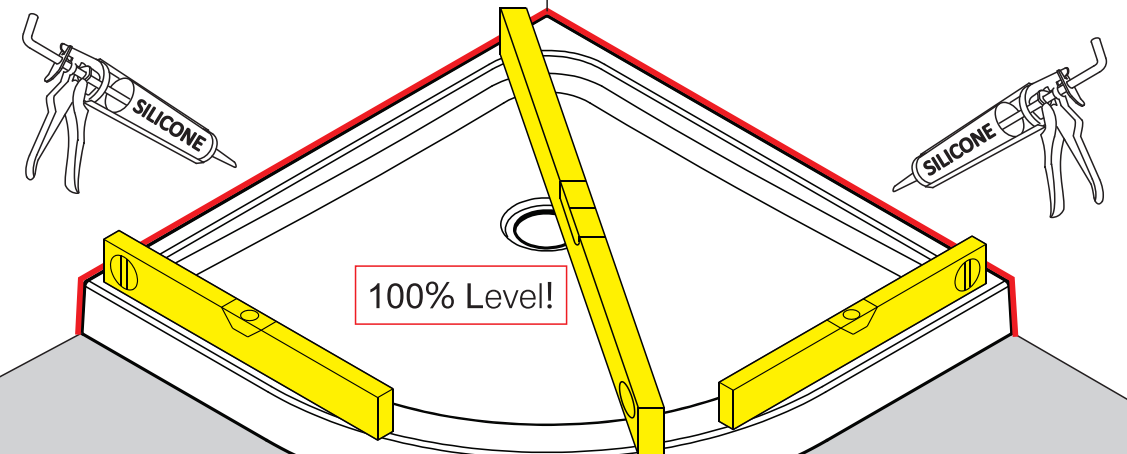
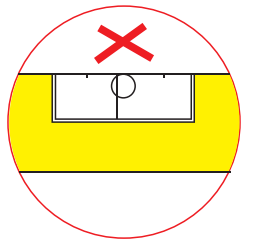
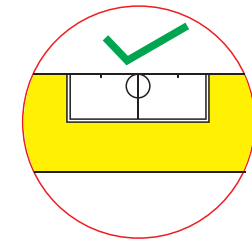
PH2



Φ6



1

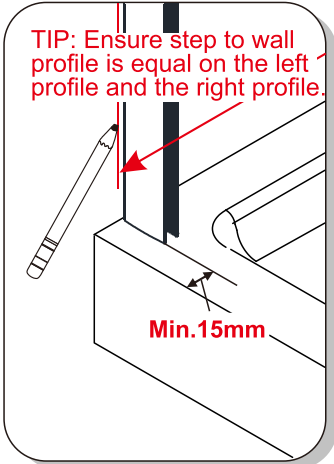
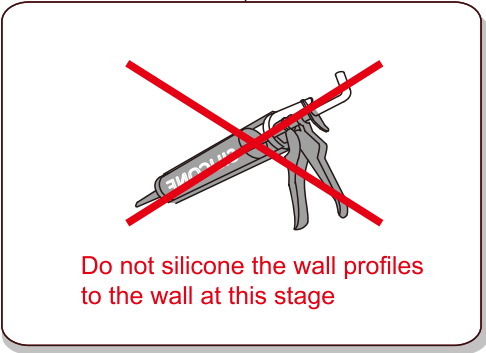


100% Level!

**NOTE: Tray must be 100% level in all directions**

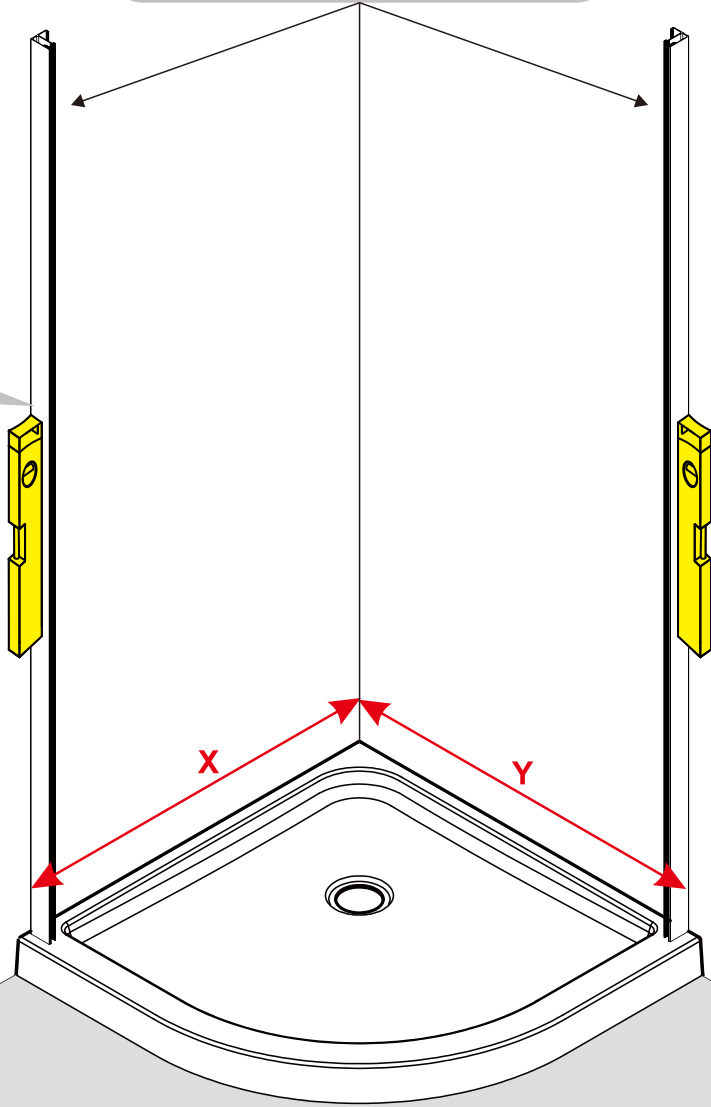
**Seal between tiles and the tray before fitting enclosure**

2



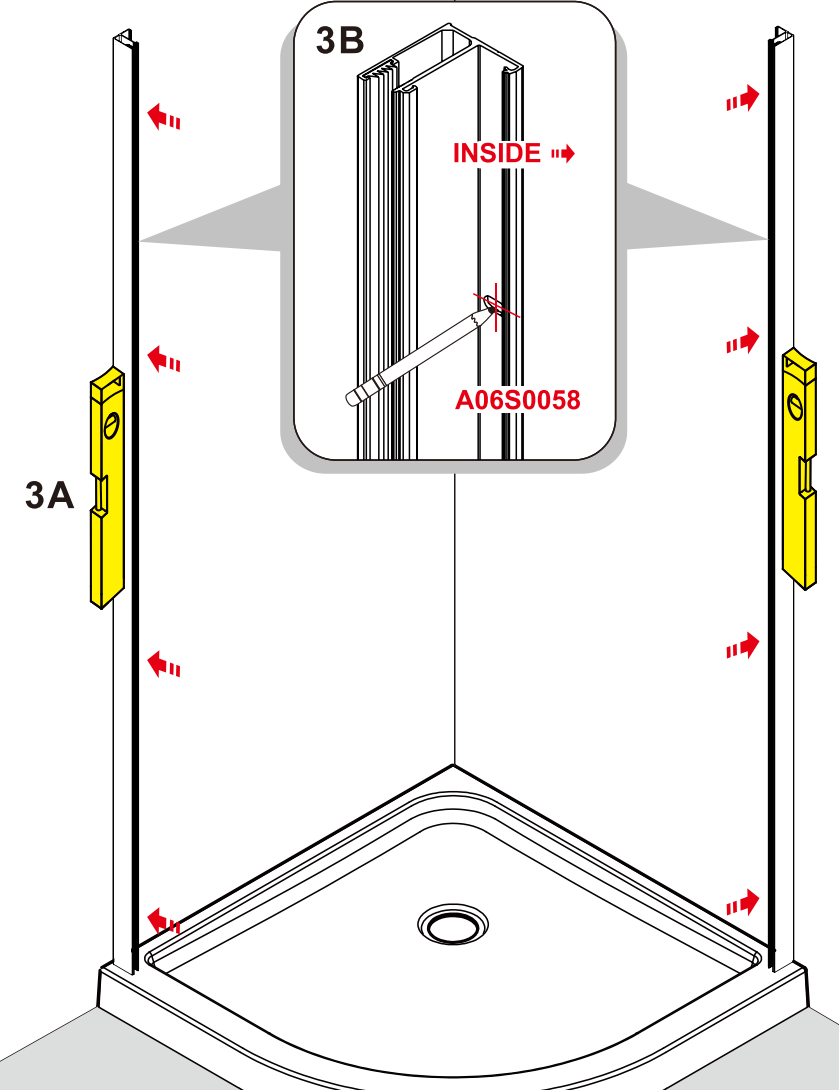
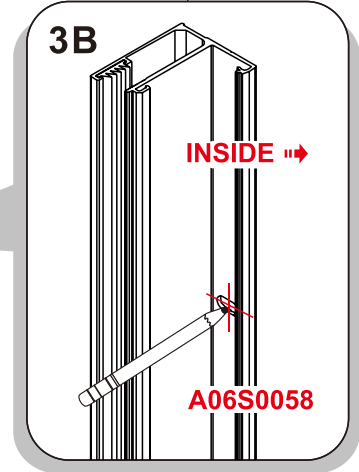
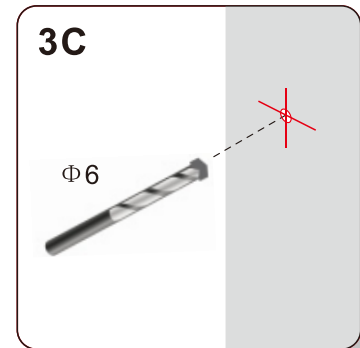
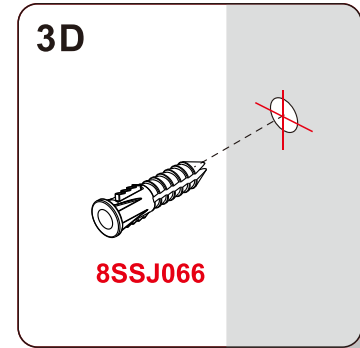
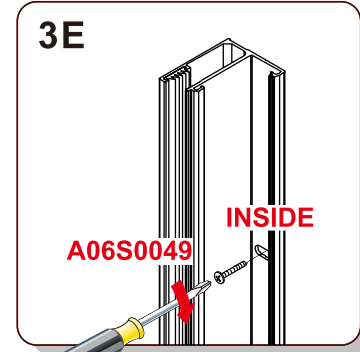
NOTE: To guarantee optimum product performance wall profiles must be positioned at a minimum of 15mm from the tray edge.

Size Taille Größe Maat	X	Y
800	765-790	765-790
900	865-890	865-890
900x760	725-750	865-890
1000x800	765-790	965-990
1000x1000	965-990	965-990
1200x800	765-790	1165-1190
1200x900	865-890	1165-1190



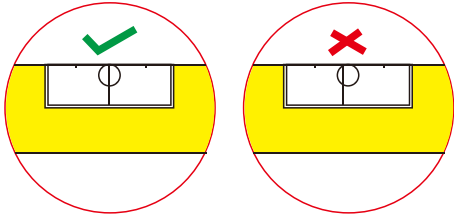
5.

3

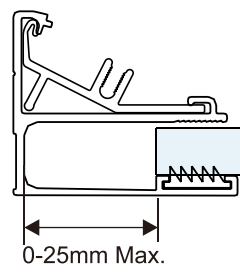


6.

4

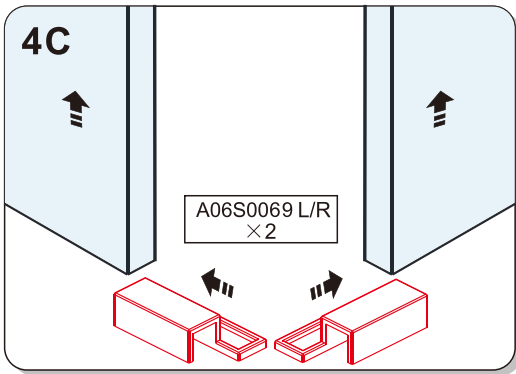


4B

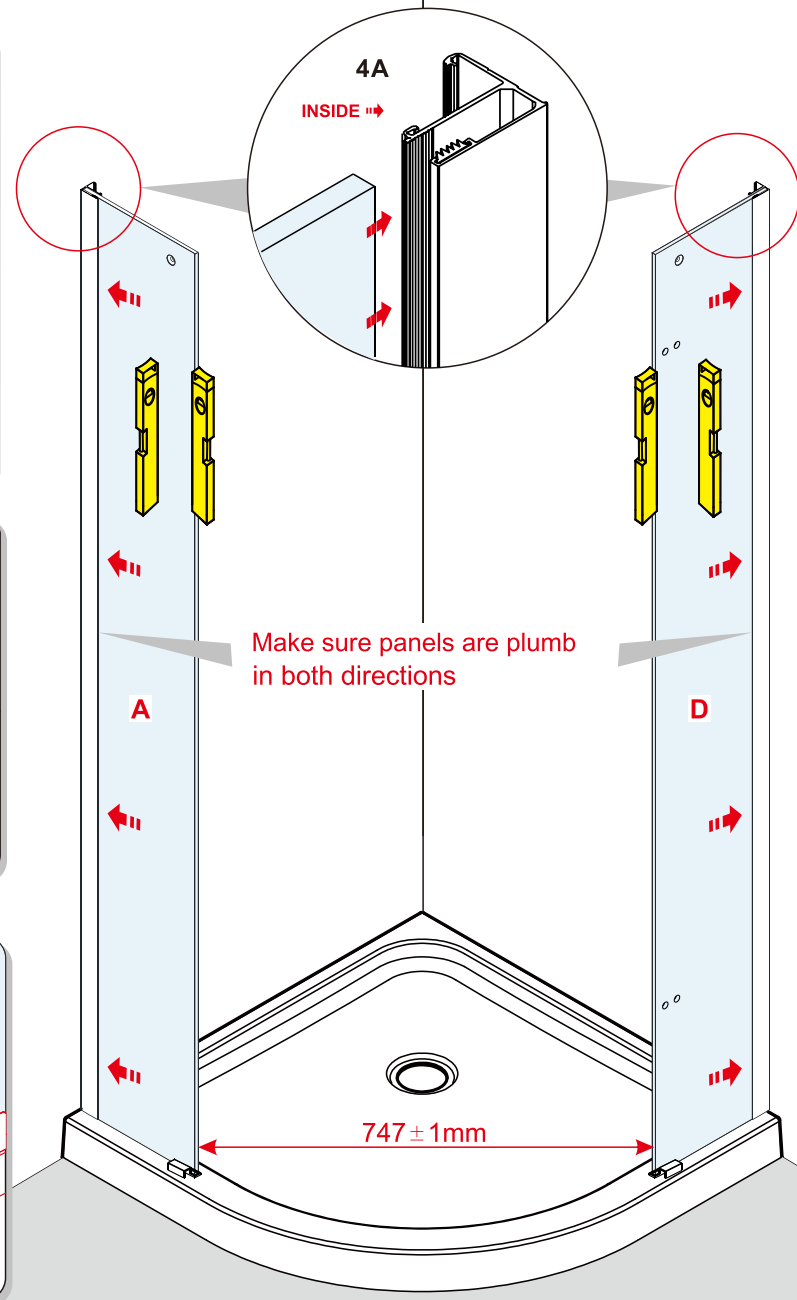
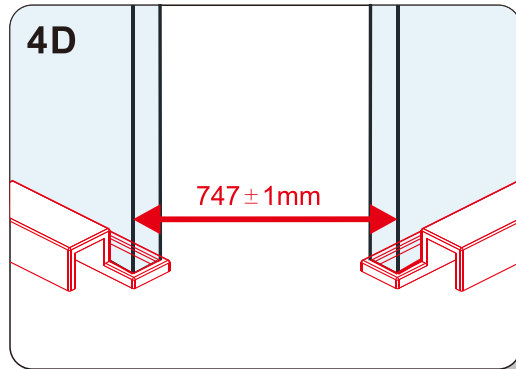


Make sure both fixed panels are adjusted evenly on each side

4C



4D

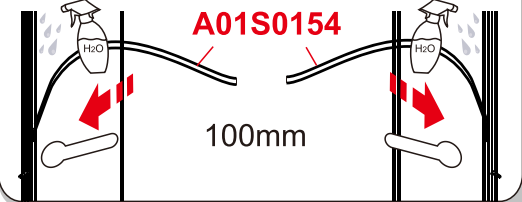


7.

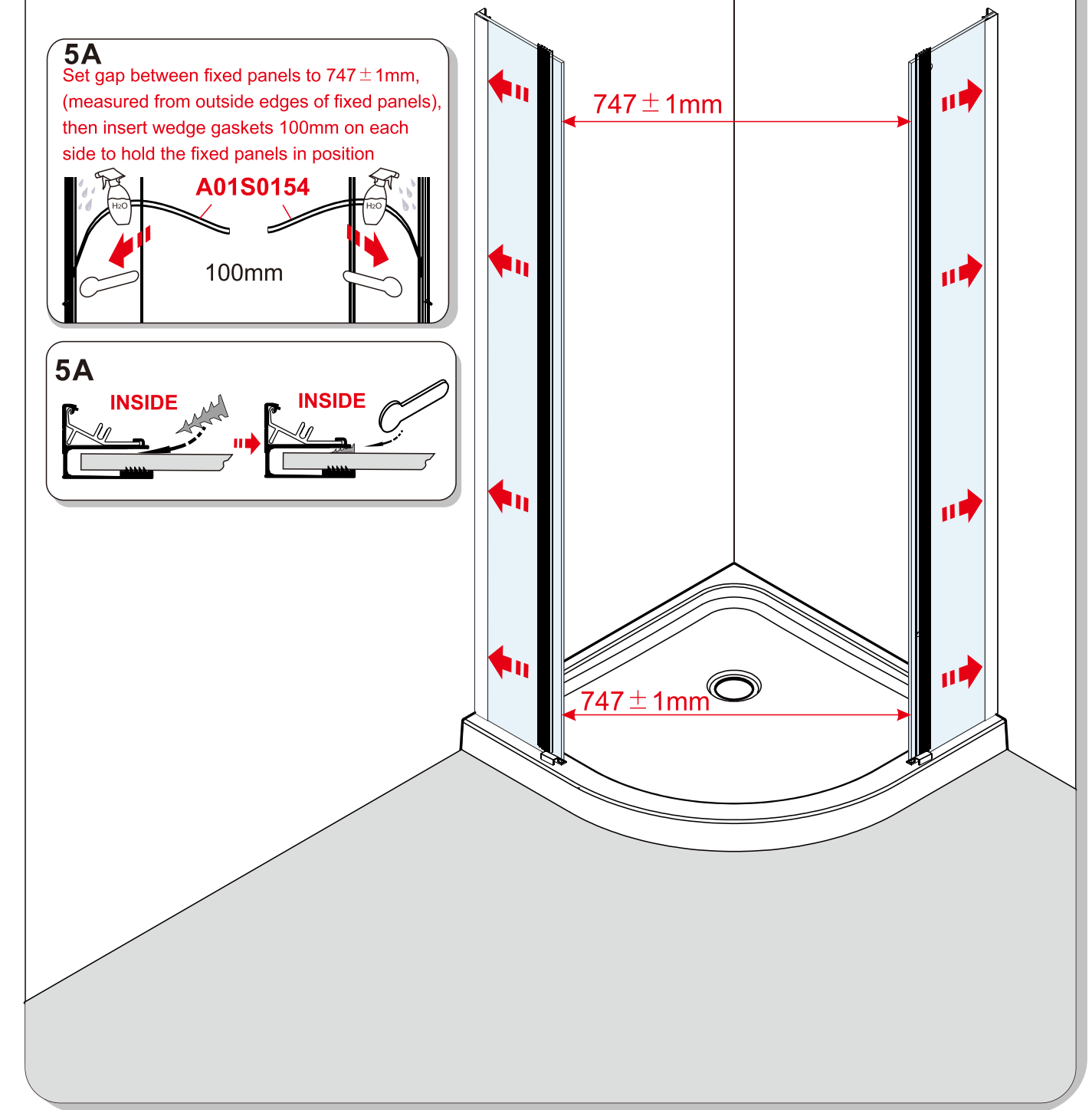
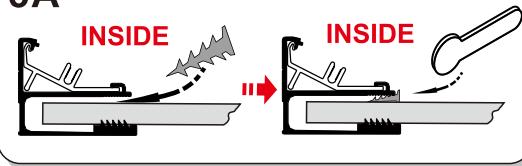
5

5A

Set gap between fixed panels to  $747 \pm 1\text{mm}$ , (measured from outside edges of fixed panels), then insert wedge gaskets 100mm on each side to hold the fixed panels in position

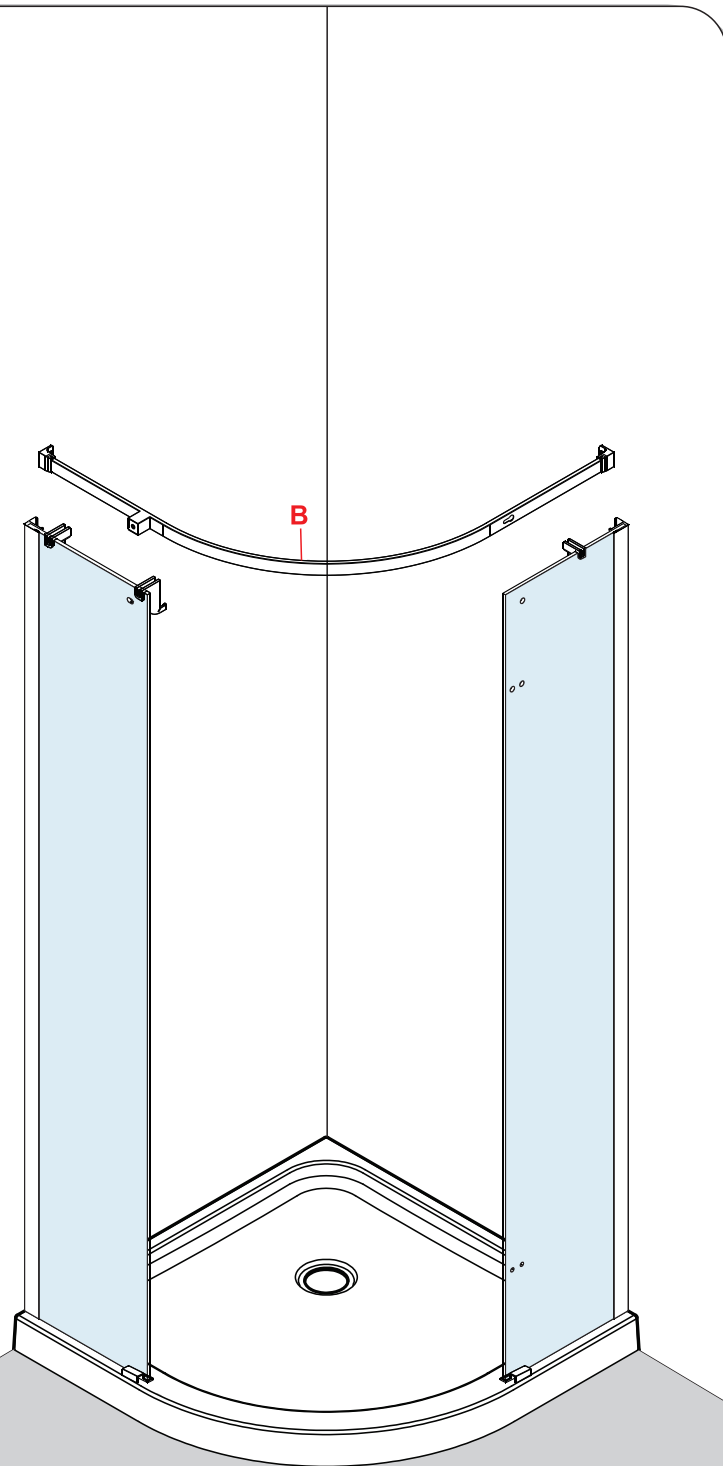
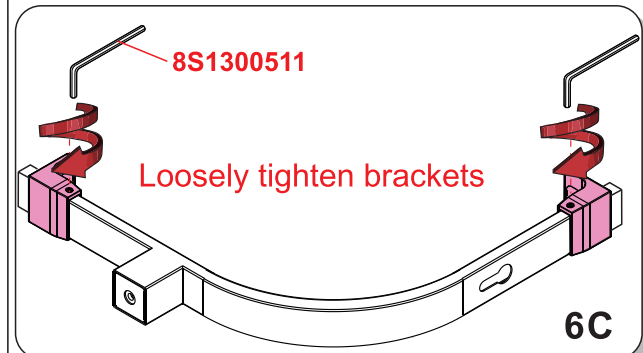
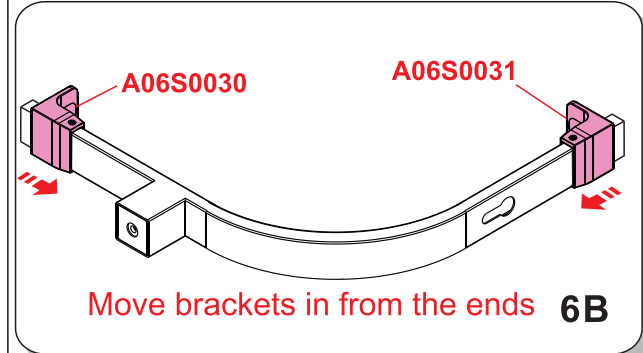
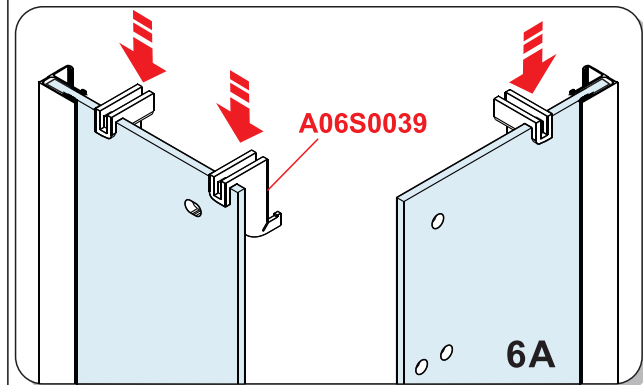


5A

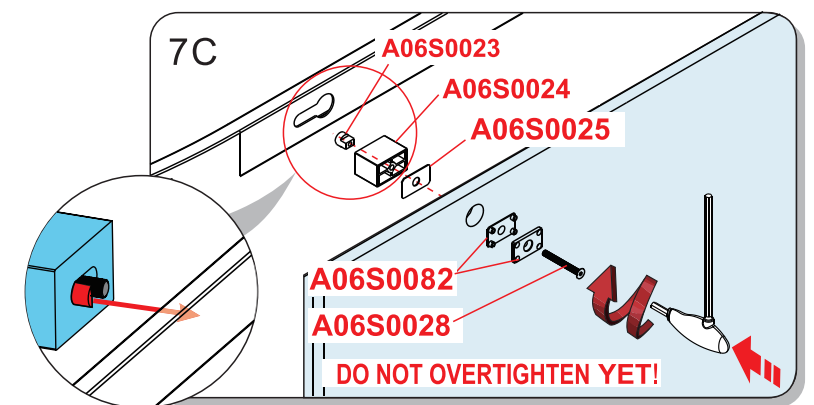
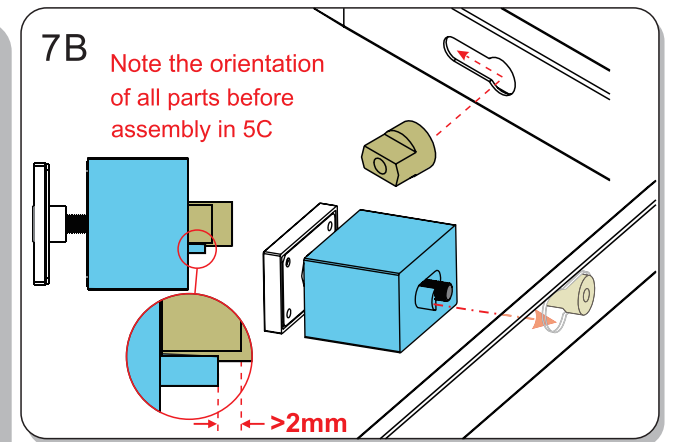
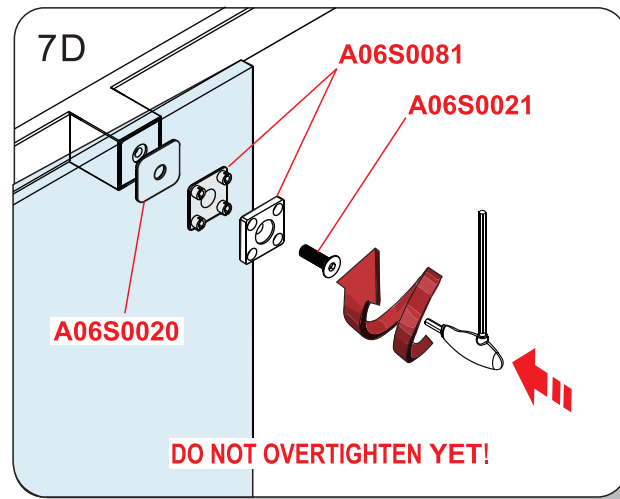
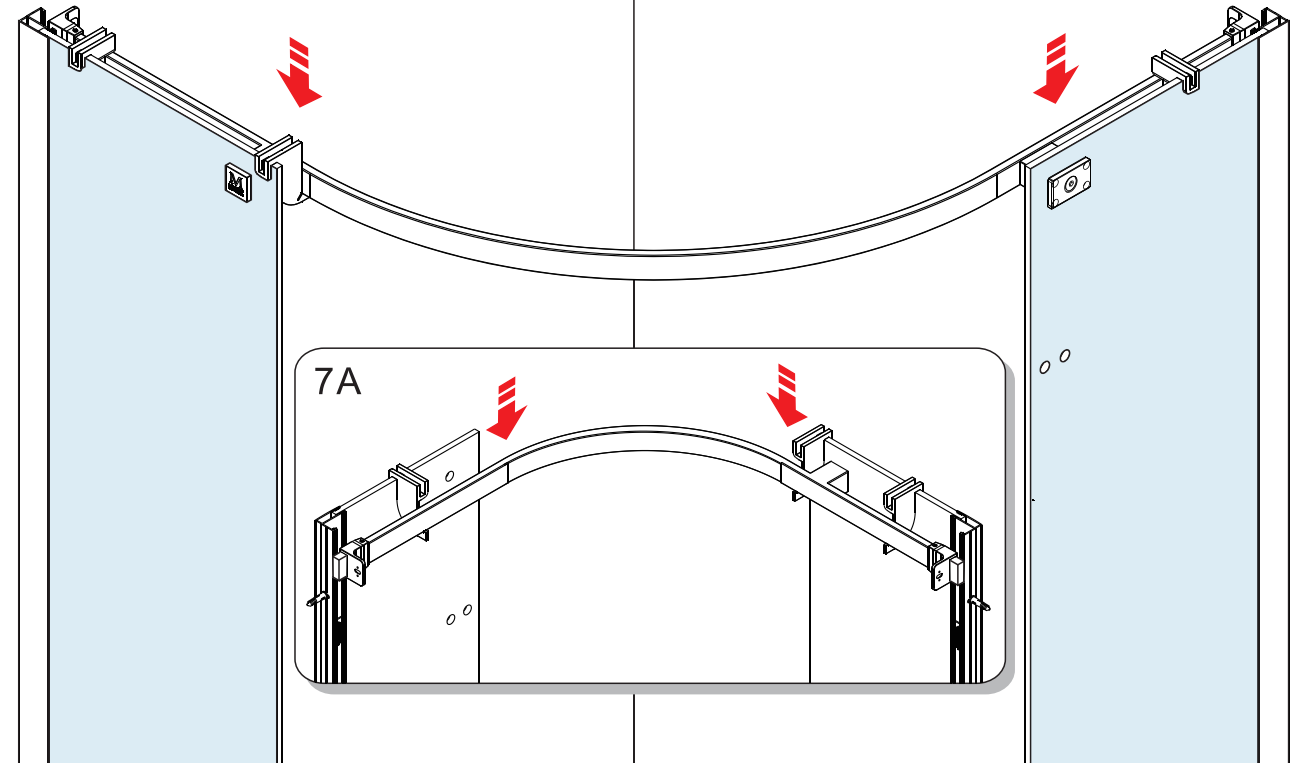


8.

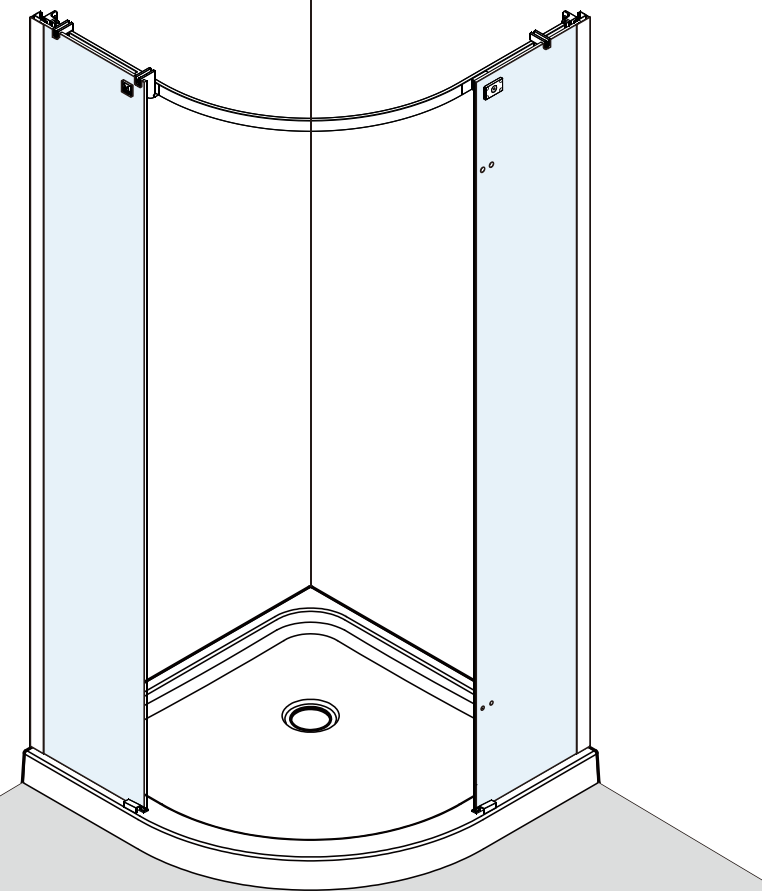
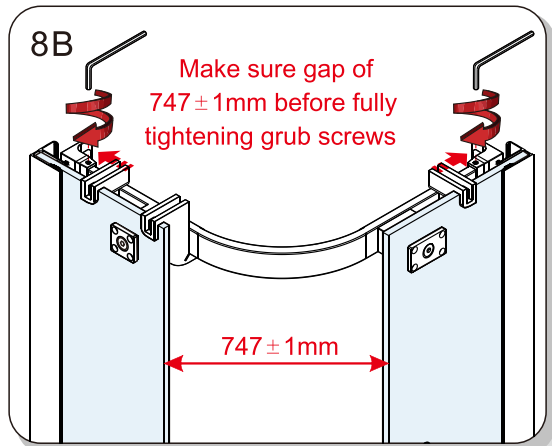
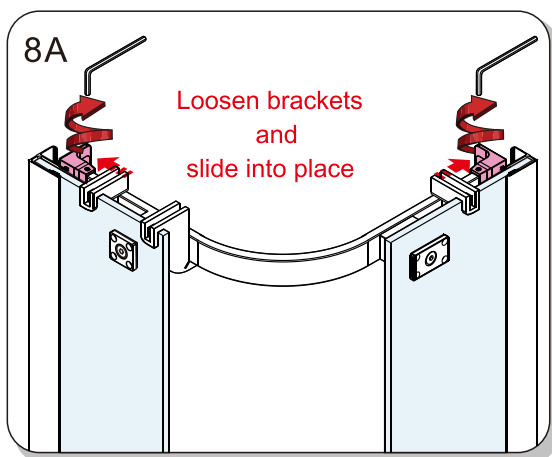
6



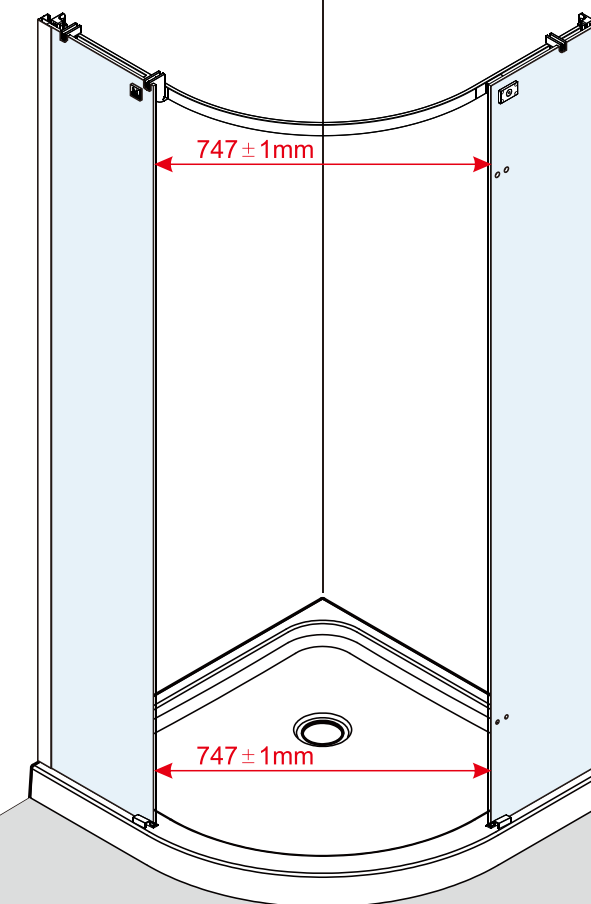
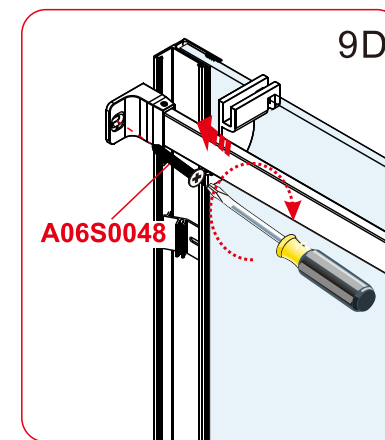
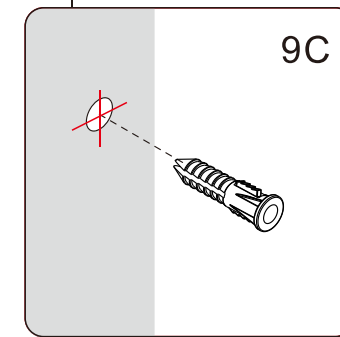
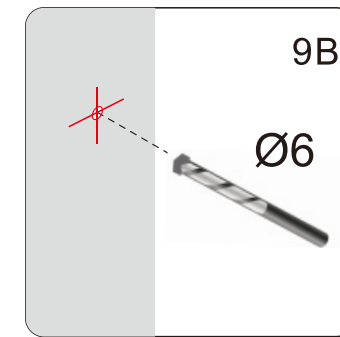
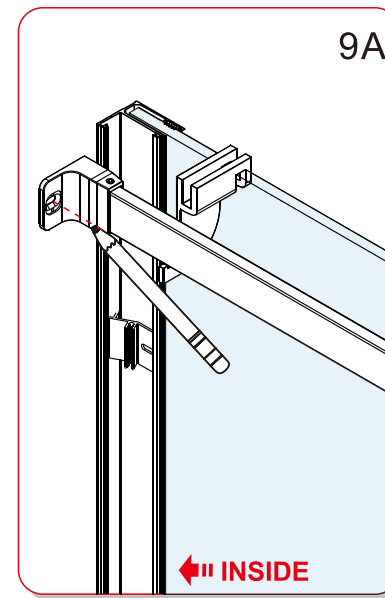
7



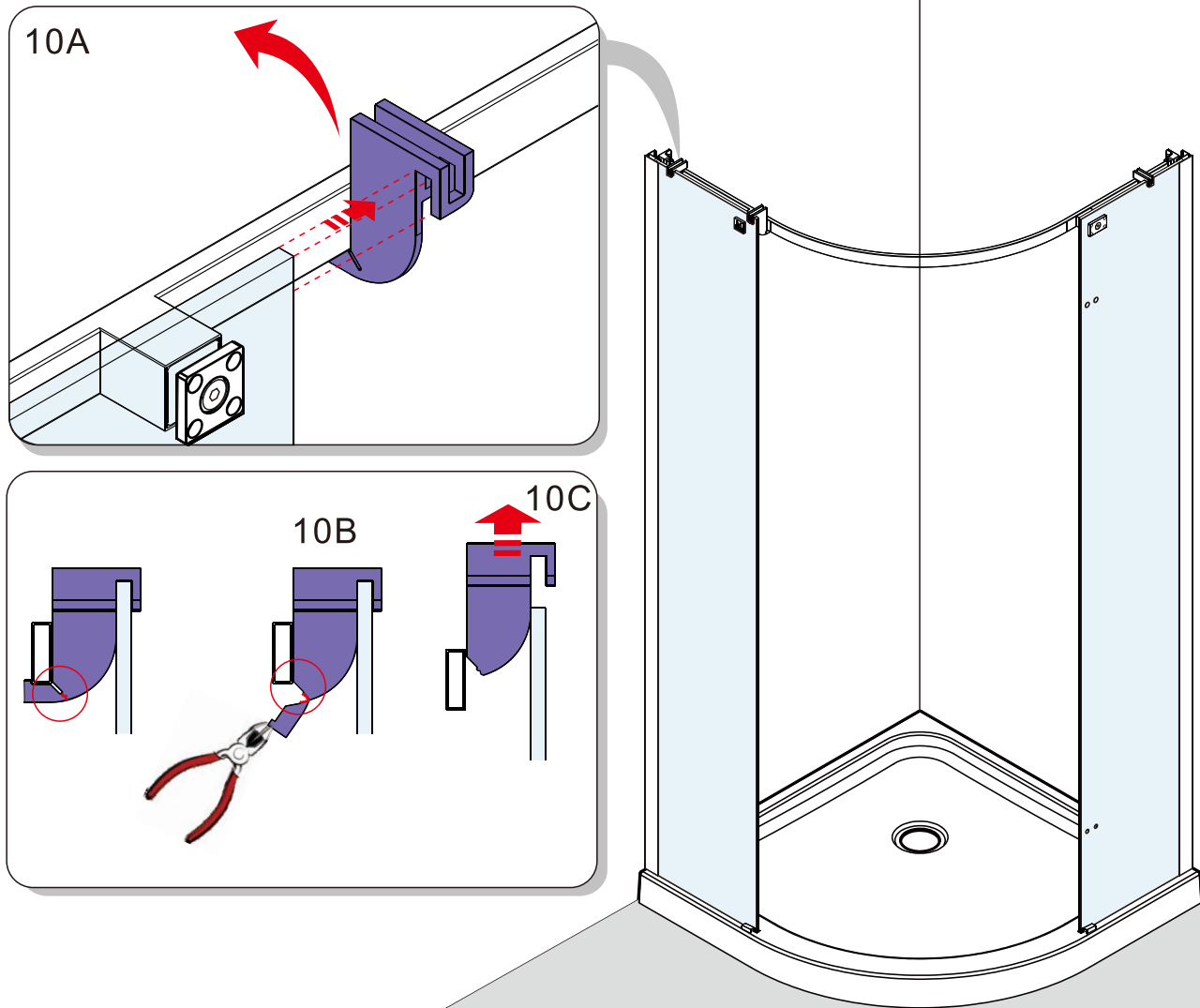
8



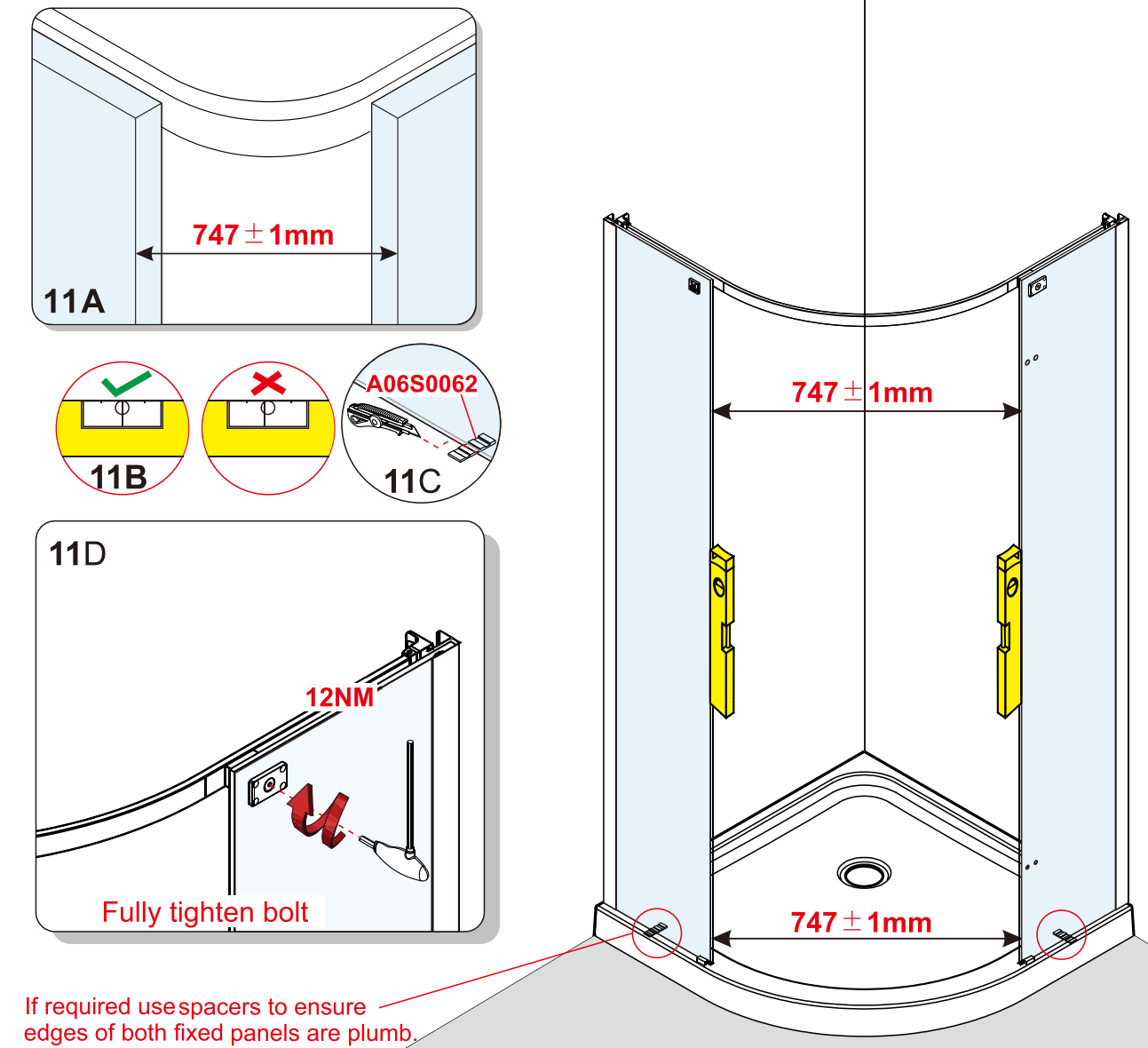
9



10

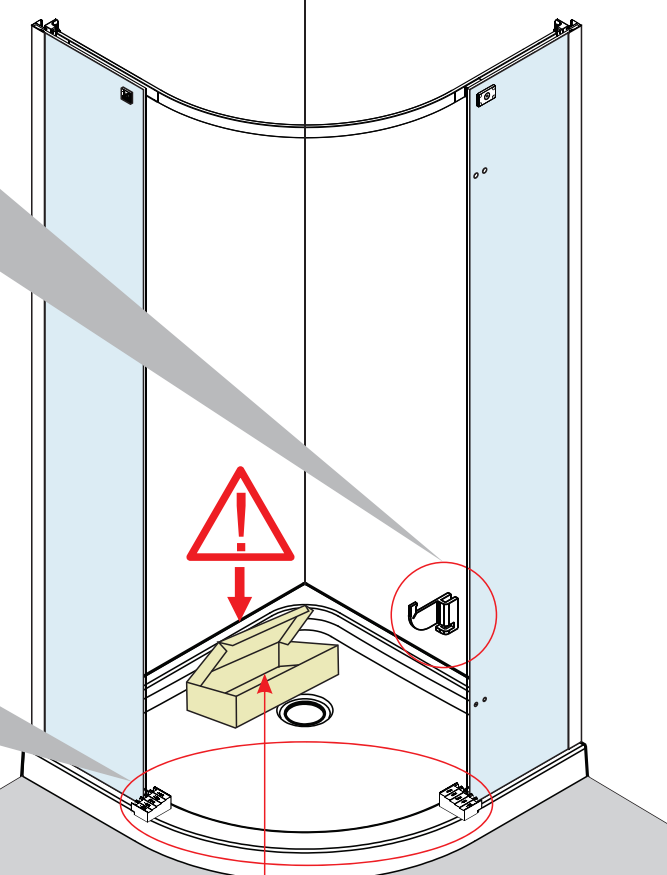
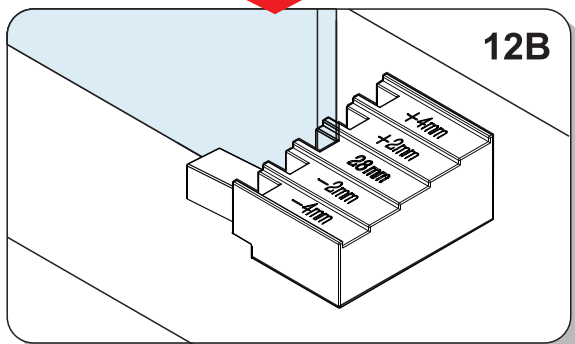
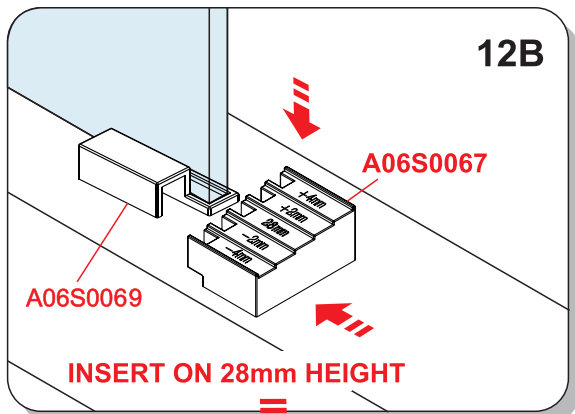
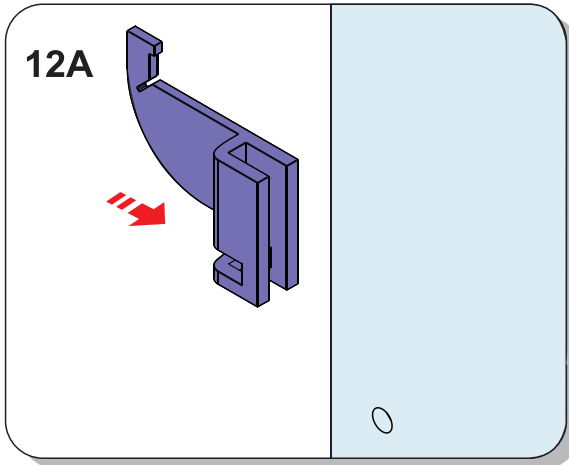


11



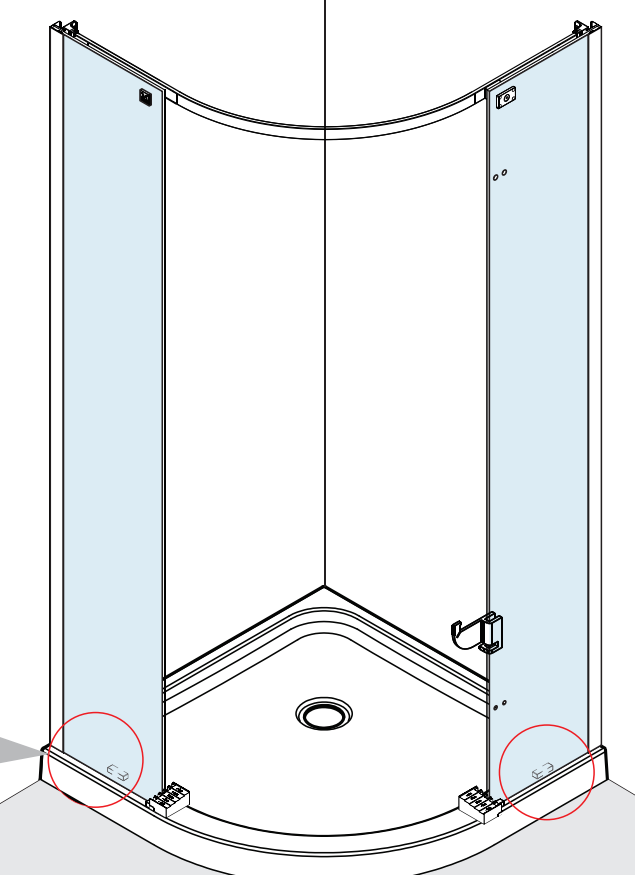
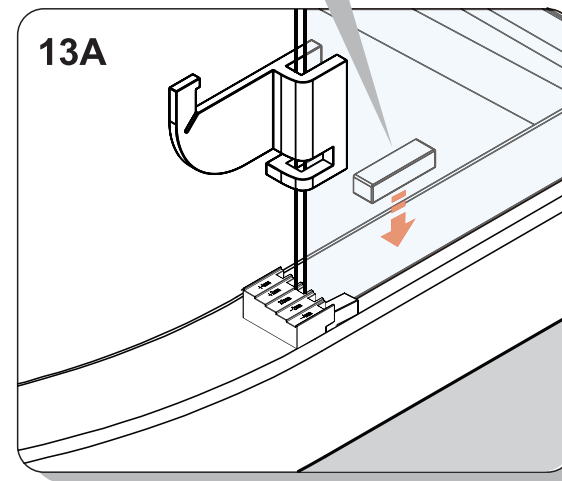
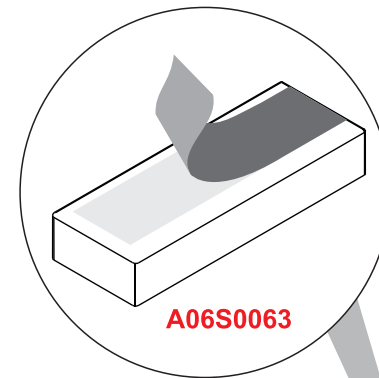


12

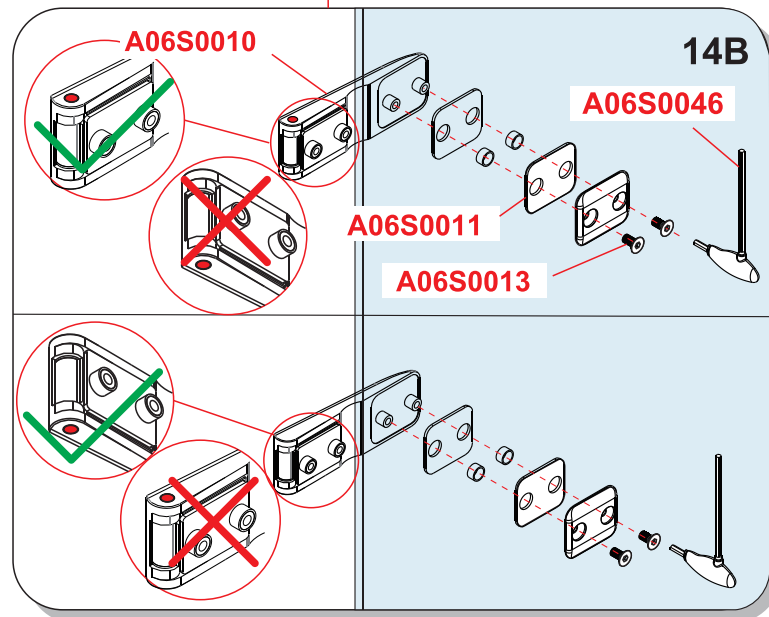
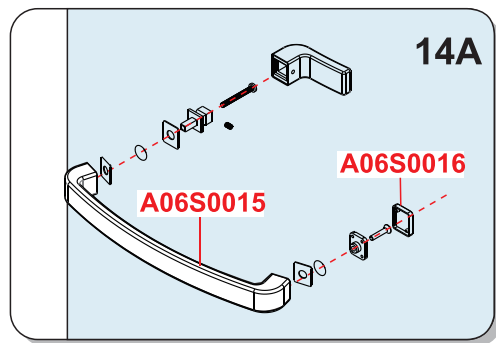
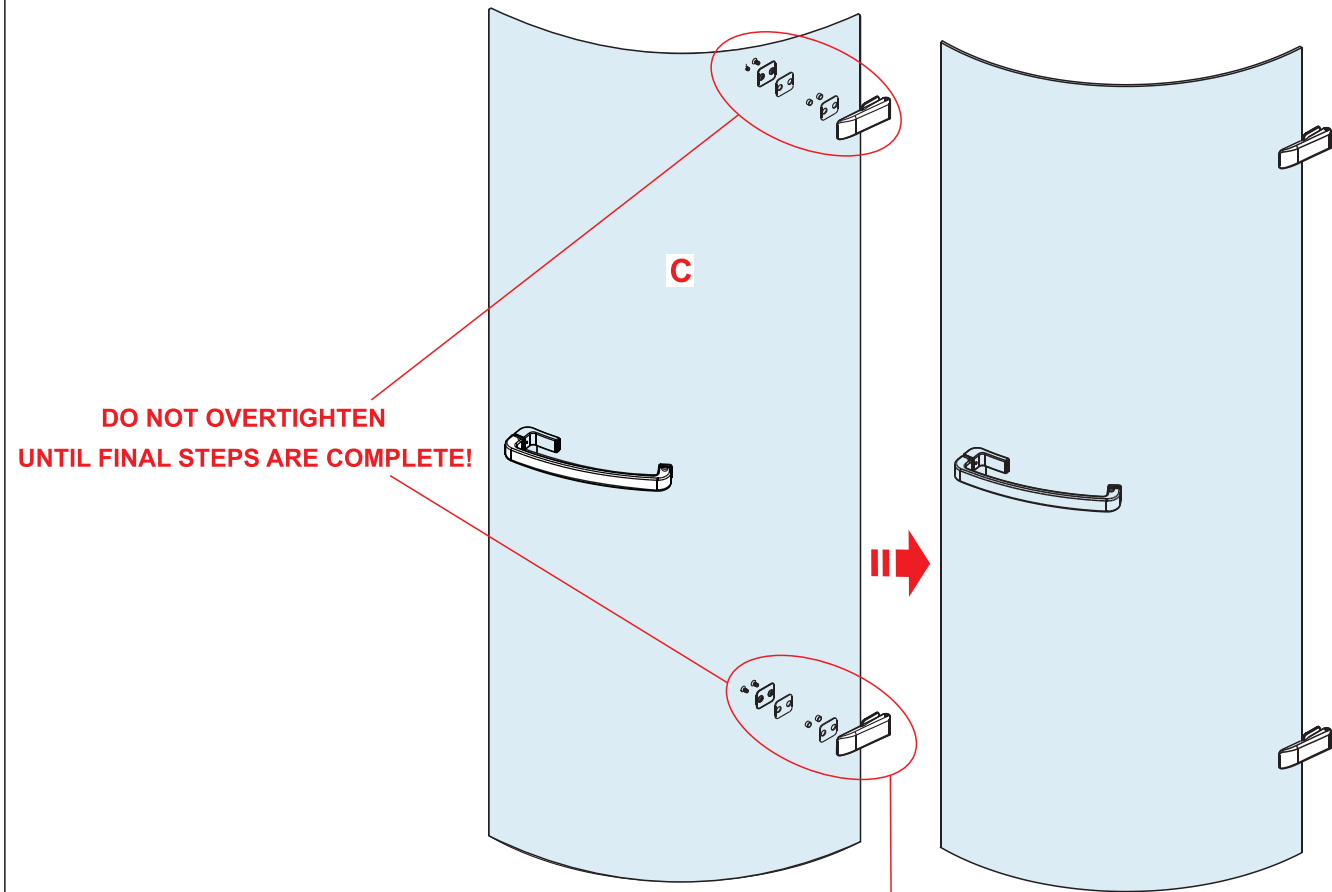


Place all parts and tools required for step 10 inside the enclosure before proceeding.

13

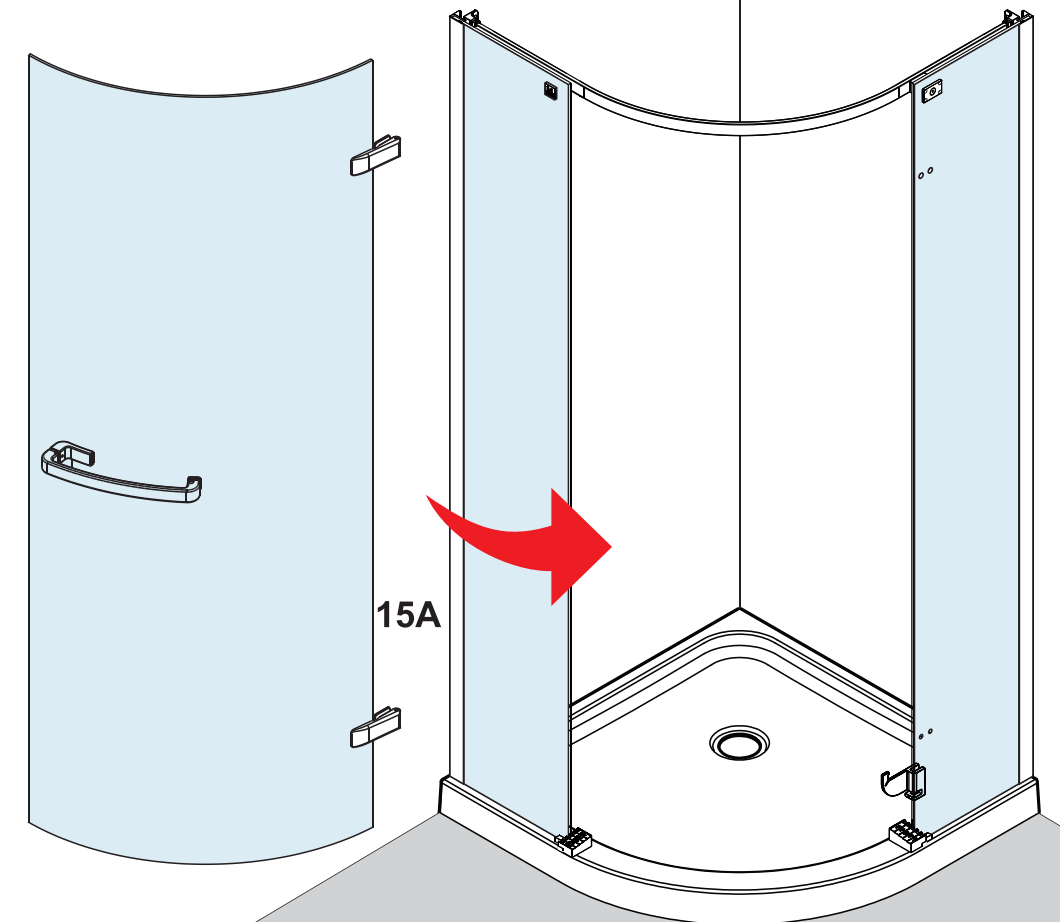


14



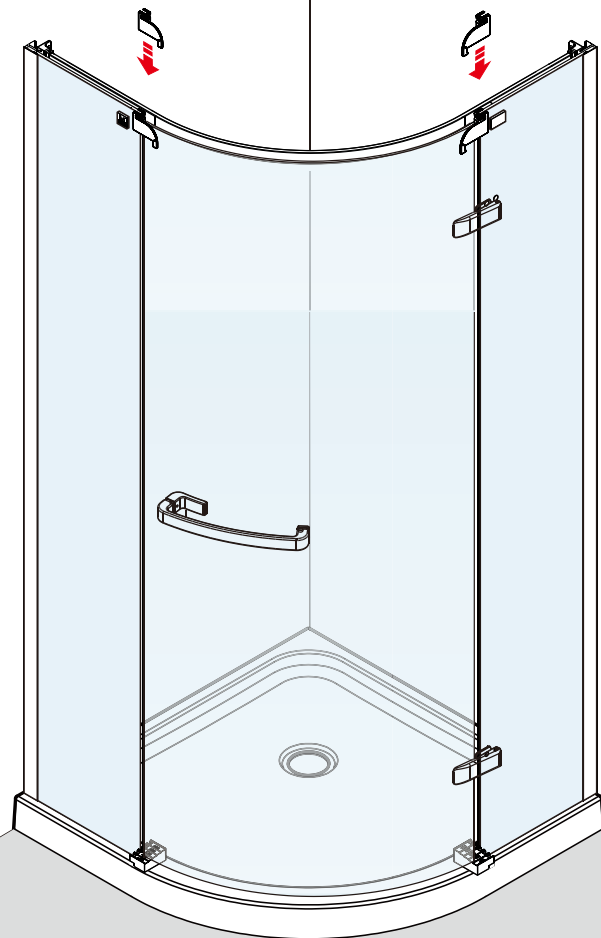
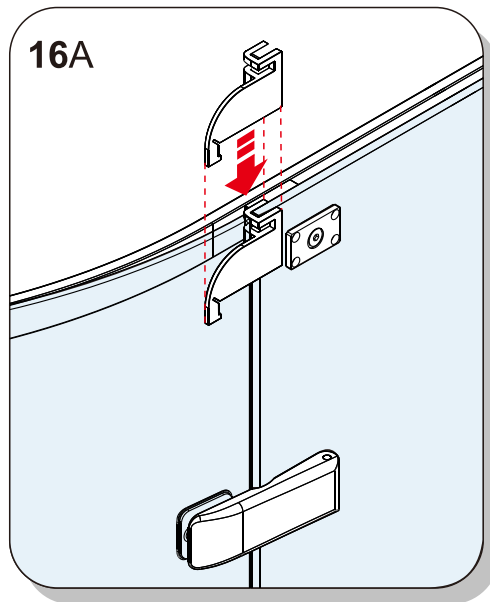
The pin is only visible on one side and should be facing up on the top hinge and down on the bottom hinge.

15

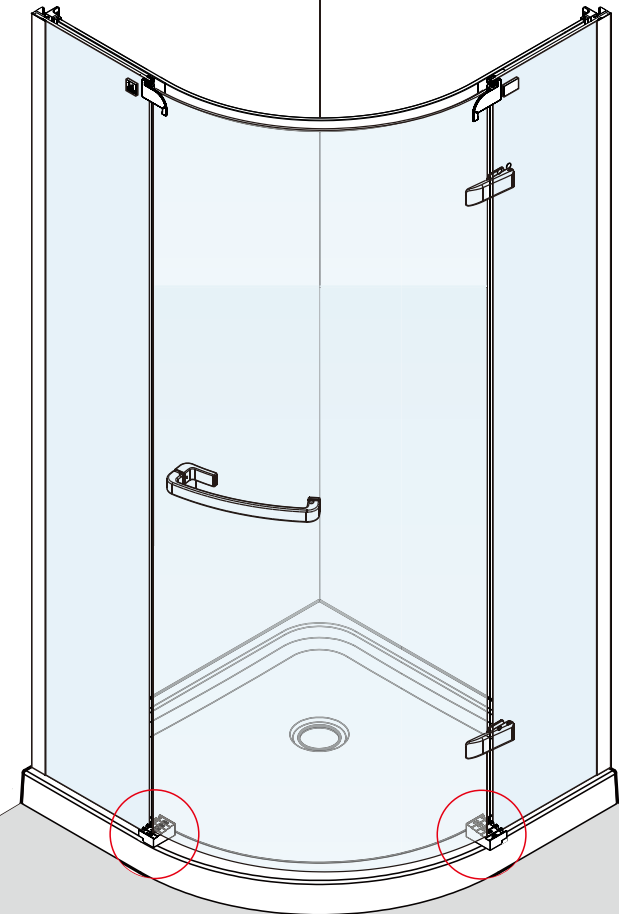
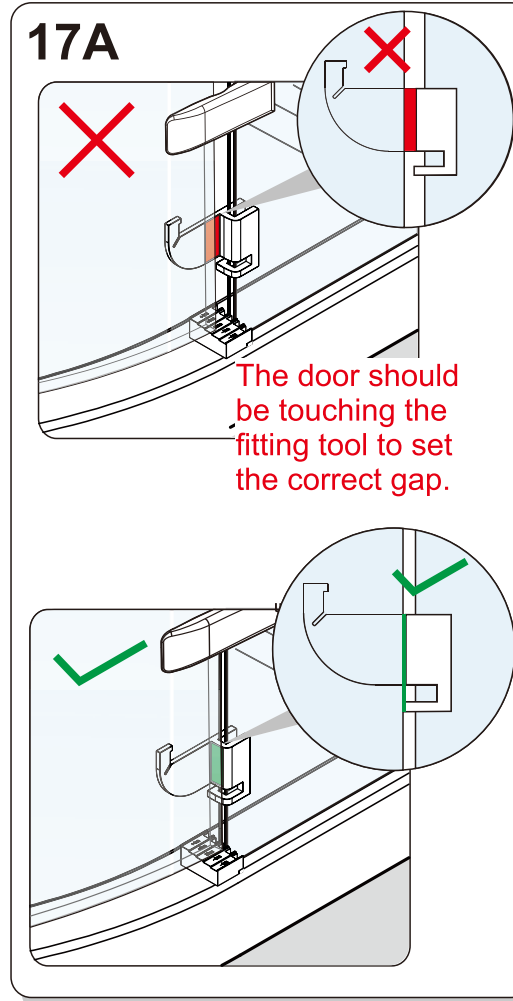


Stand inside the enclosure and lift the door onto the spacer blocks and secure with fitting aids provided.

16

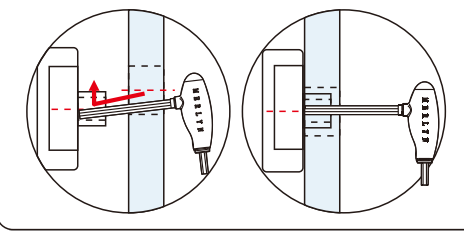
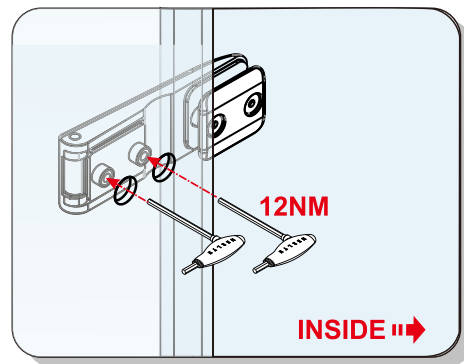


17

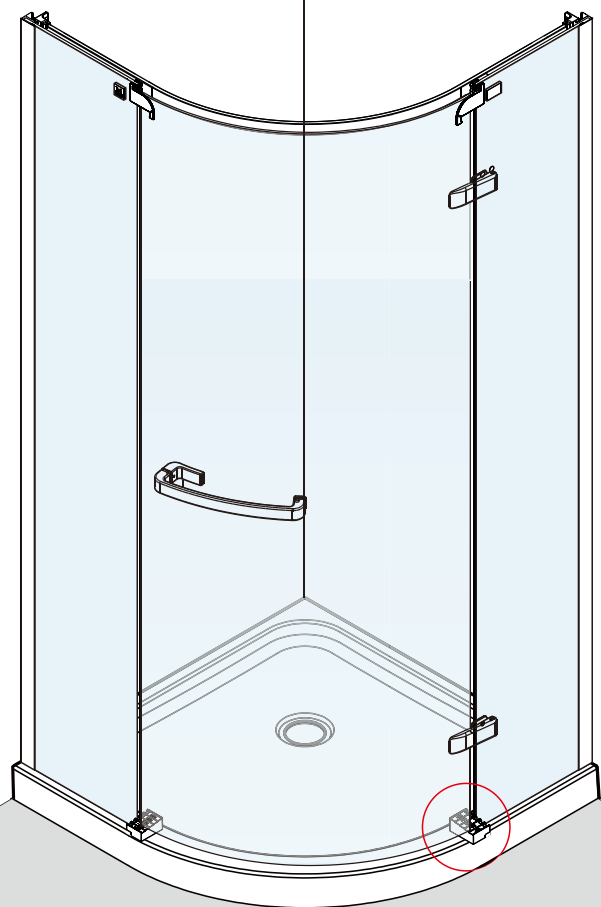
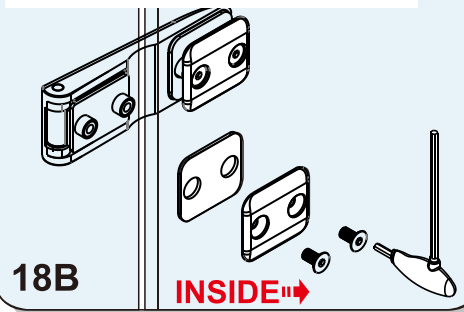


## 18

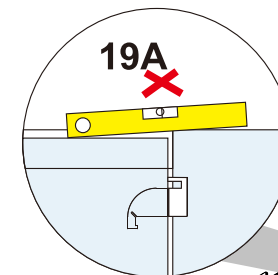
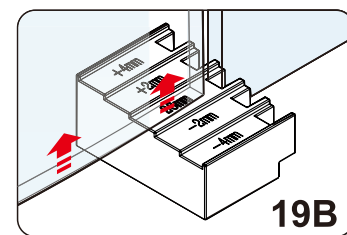
### 18A



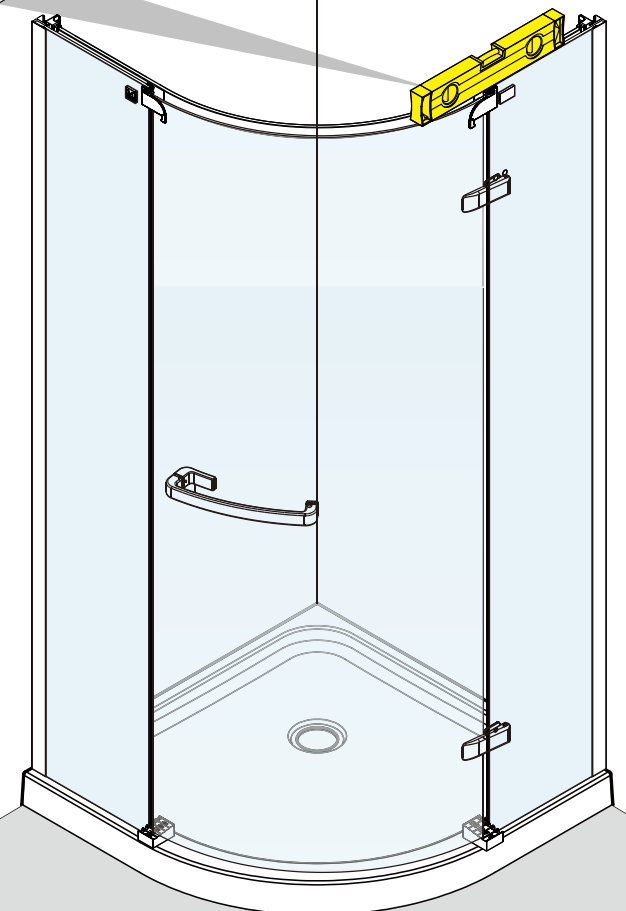
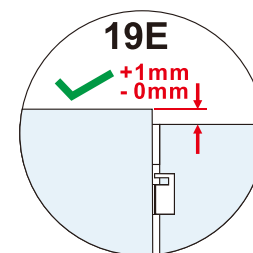
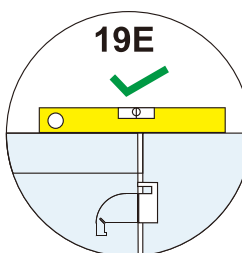
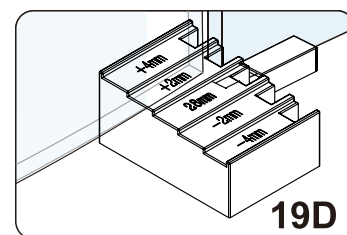
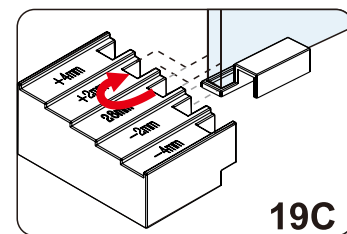
**DO NOT OVERTIGHTEN!**



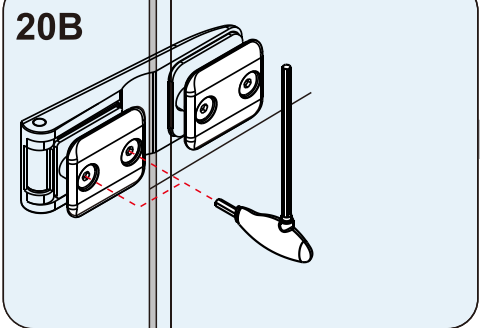
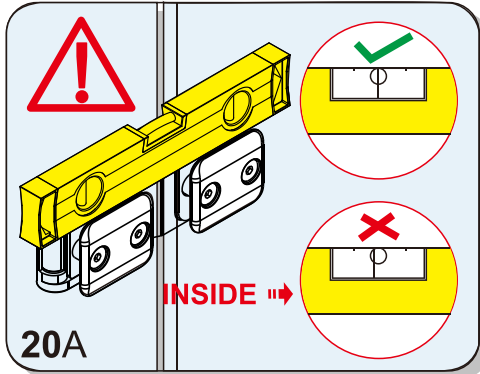
## 19



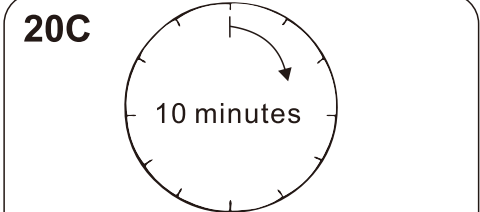
Adjust the height of the door using spacer blocks to ensure door is level with the hinged fixed panel.



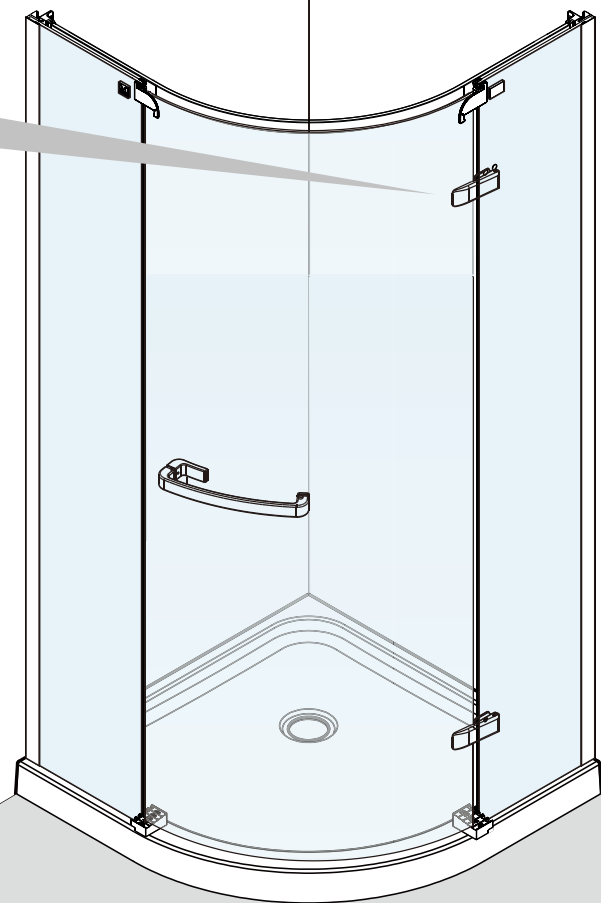
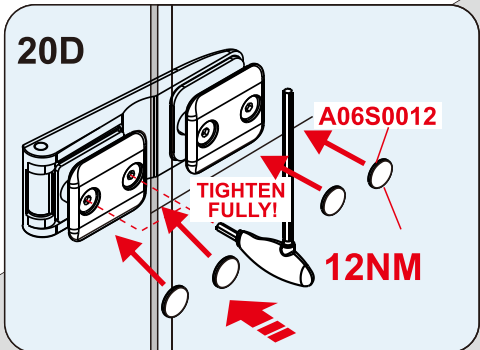
20



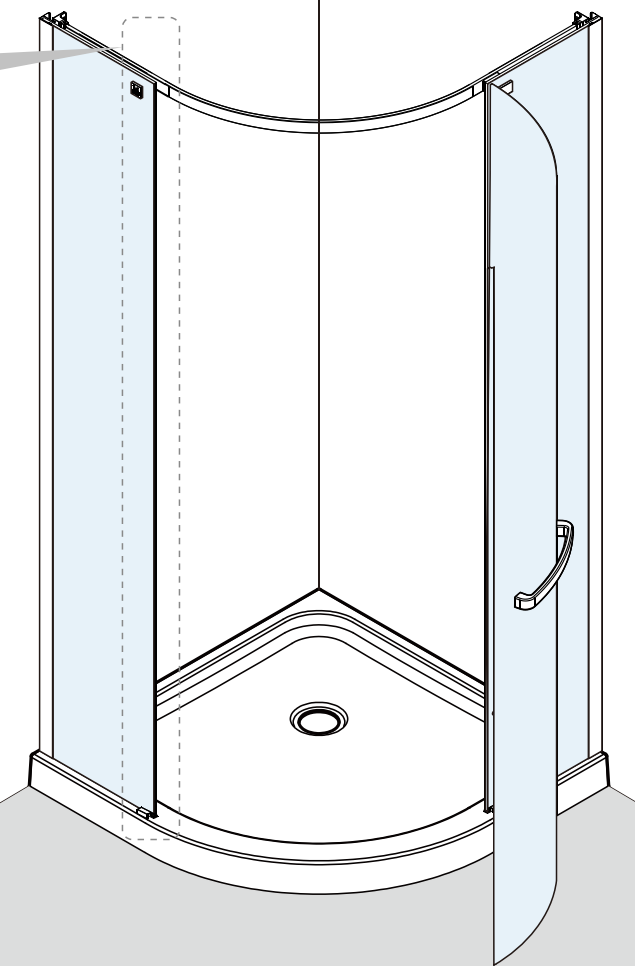
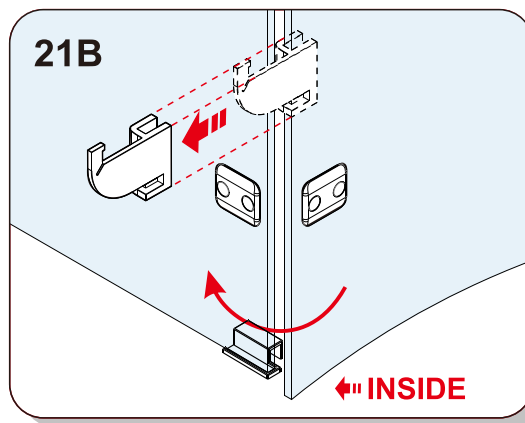
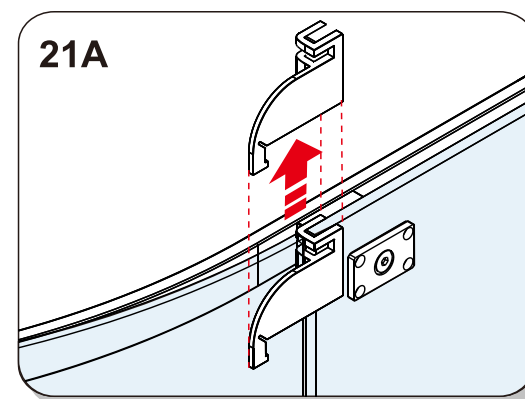
**20B:** Using only the Hex key provided fully tighten all hinge bolts to their absolute limit. Anything less than this could cause the door to drop over time.  
 Note: Screws need to be tightened to the Max and its normal to hear a 'clicking' noise.



Wait 10 minutes then tighten all bolts a 2nd time. It is necessary to do this as the hinge gasket will compress slightly after the 1st tightening.



21

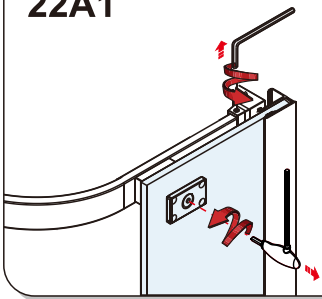


22

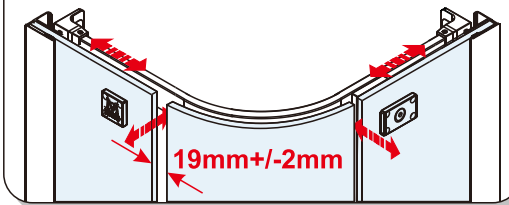
X≠19±2mm

22A1

If: x≠19±2mm  
adjust with  
the bar on  
hinge side.

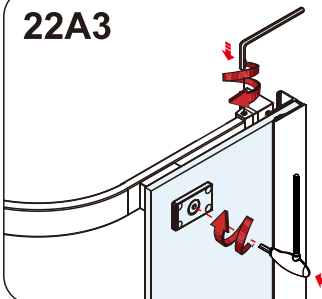


22A2



19mm±2mm

22A3



12NM

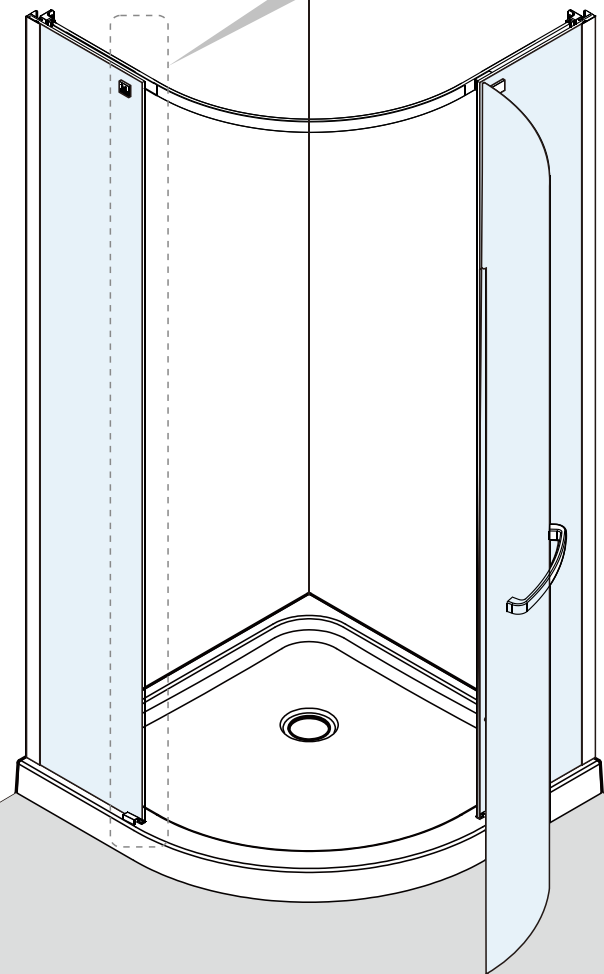
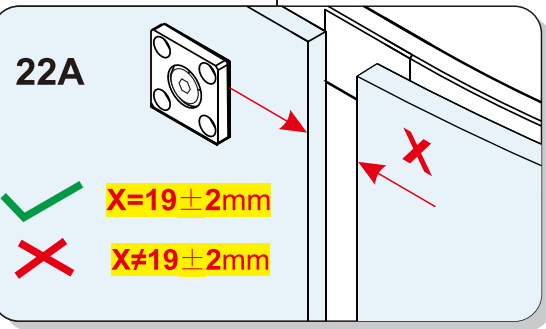
22A



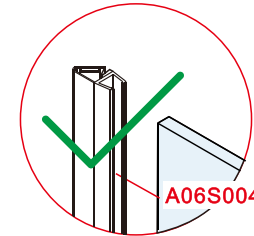
X=19±2mm



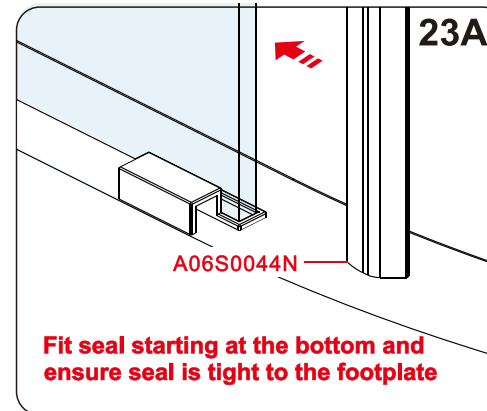
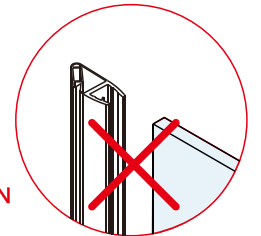
X≠19±2mm



23



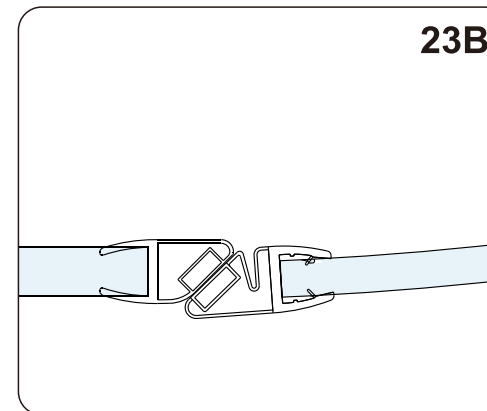
A06S0044N



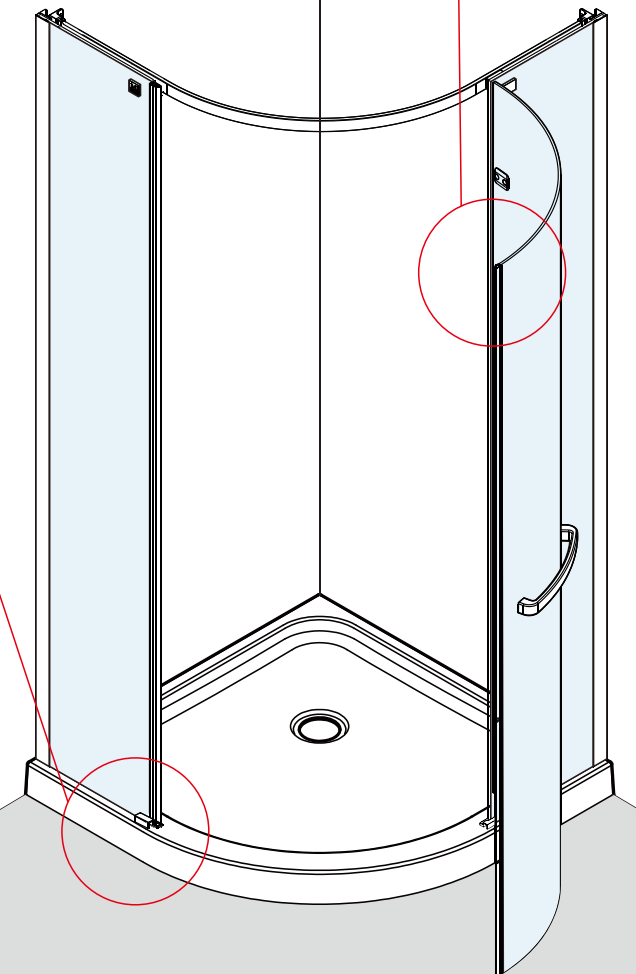
23A

A06S0044N

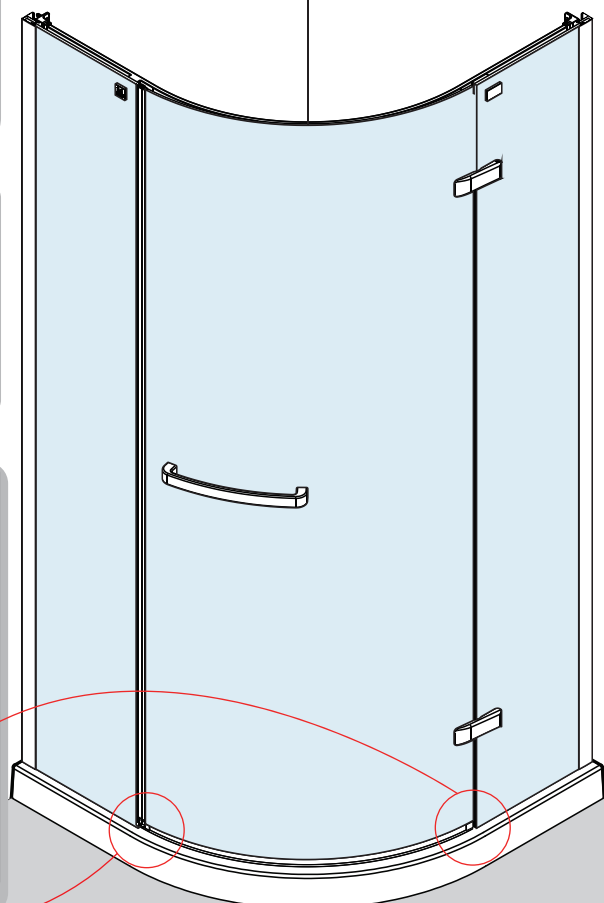
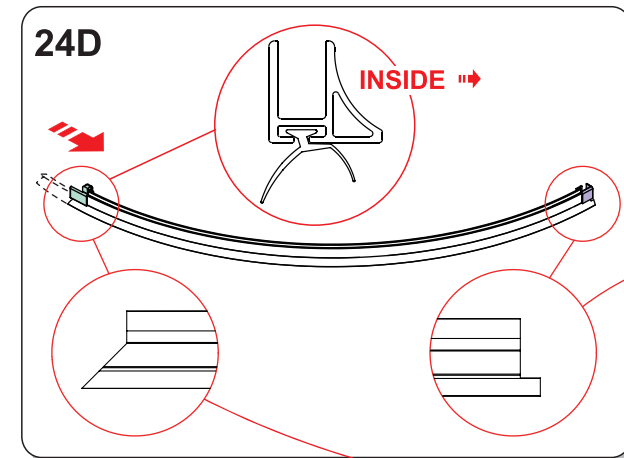
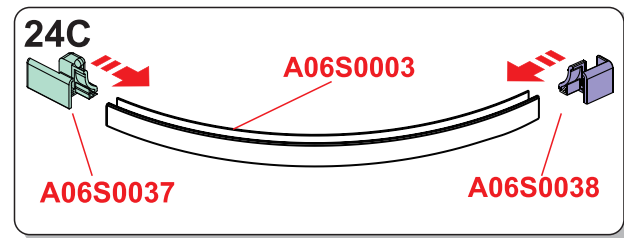
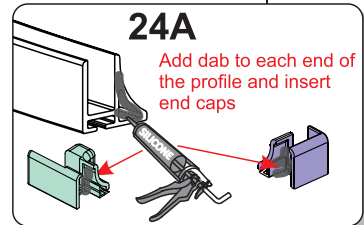
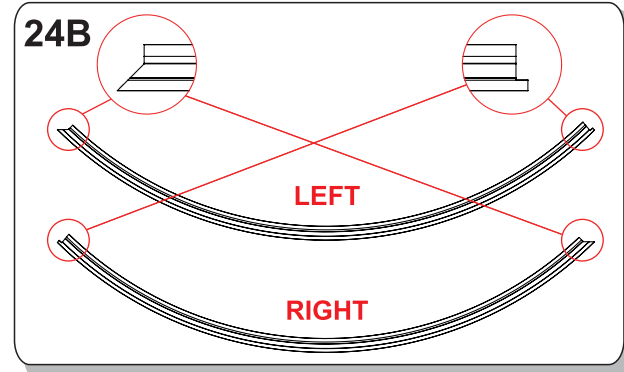
Fit seal starting at the bottom and  
ensure seal is tight to the footplate



23B

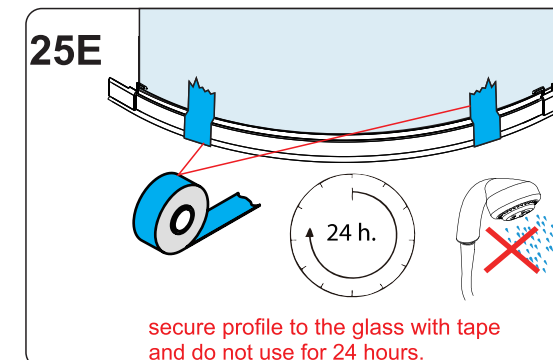
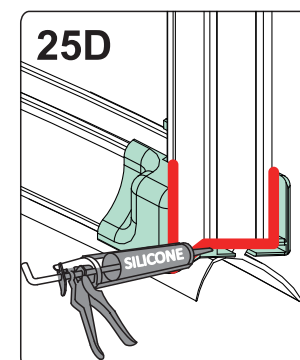
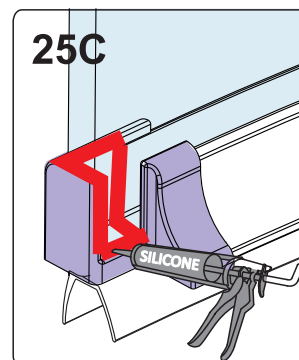
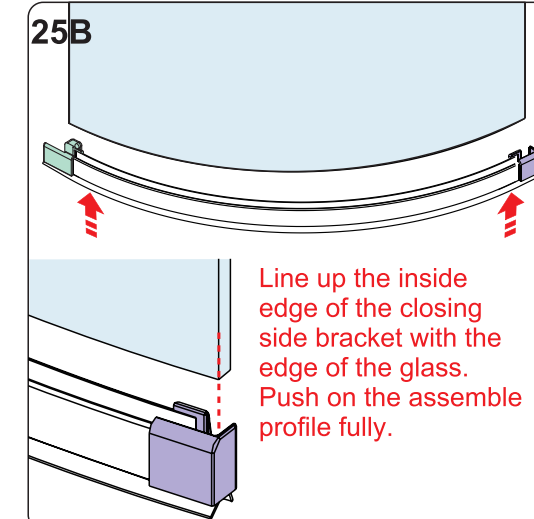
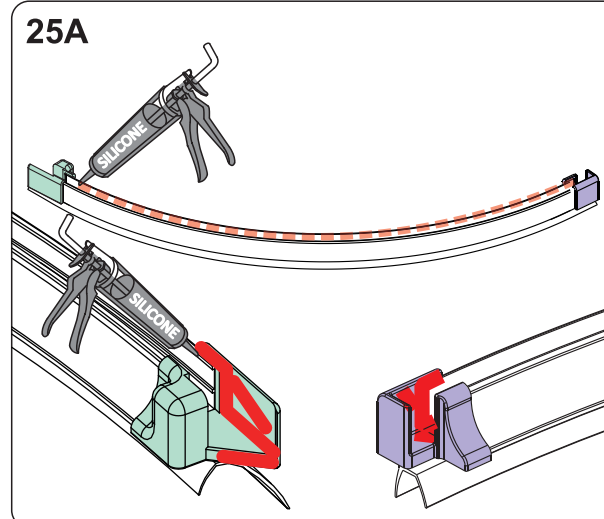
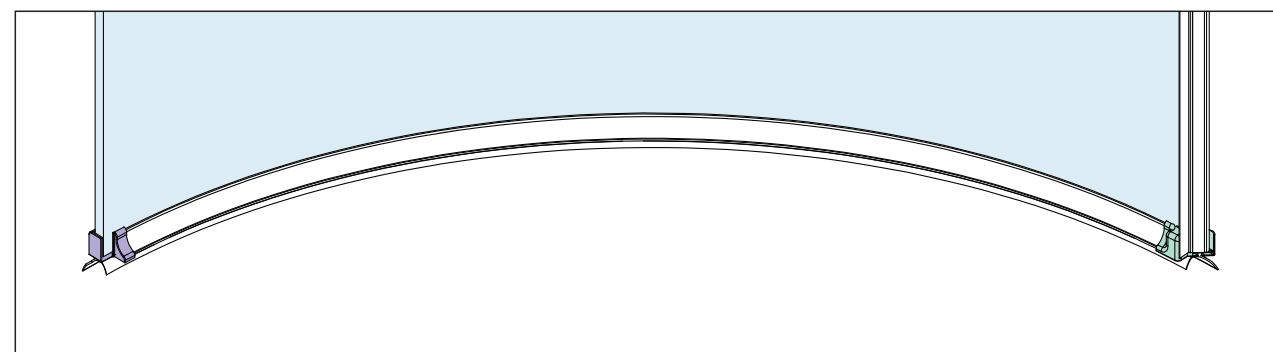
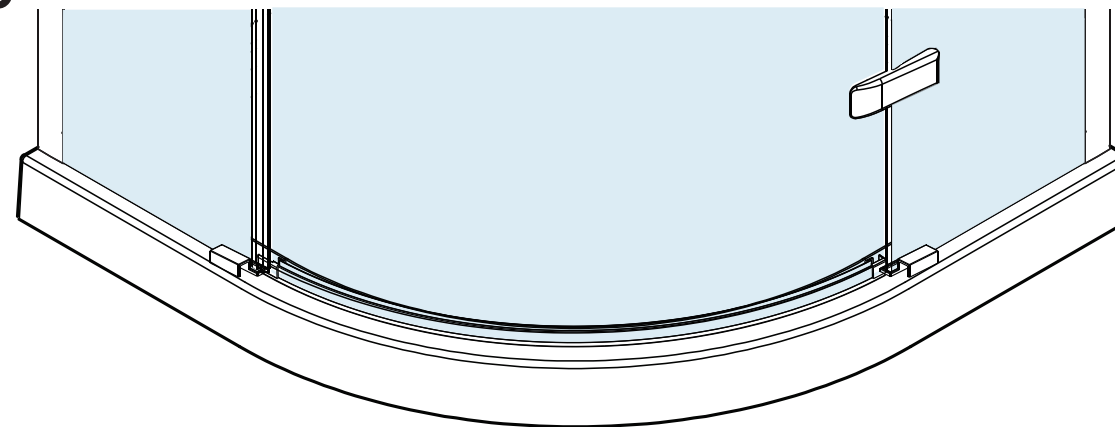


24

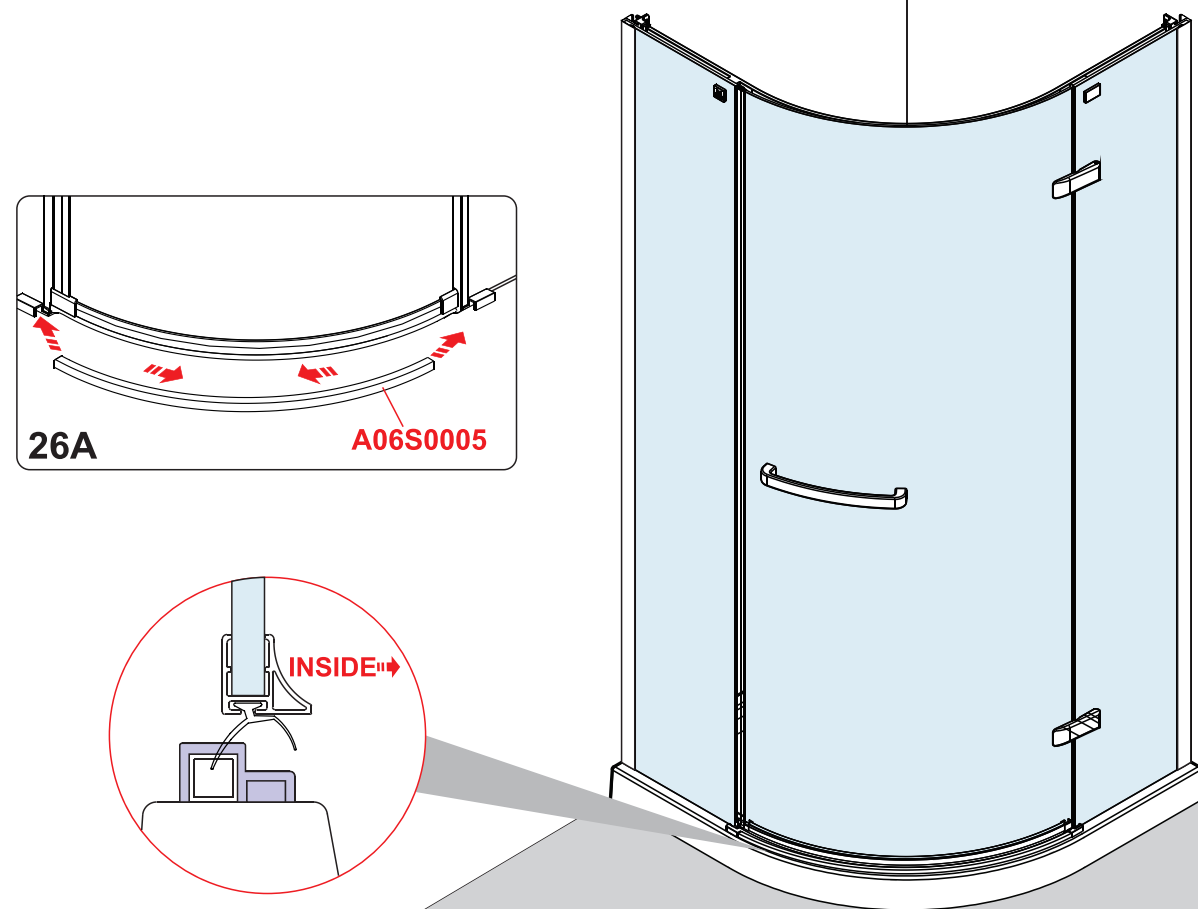


24D: Slide in the bottom seal fully. Make sure the seal slides all the way to the end of the footplate.

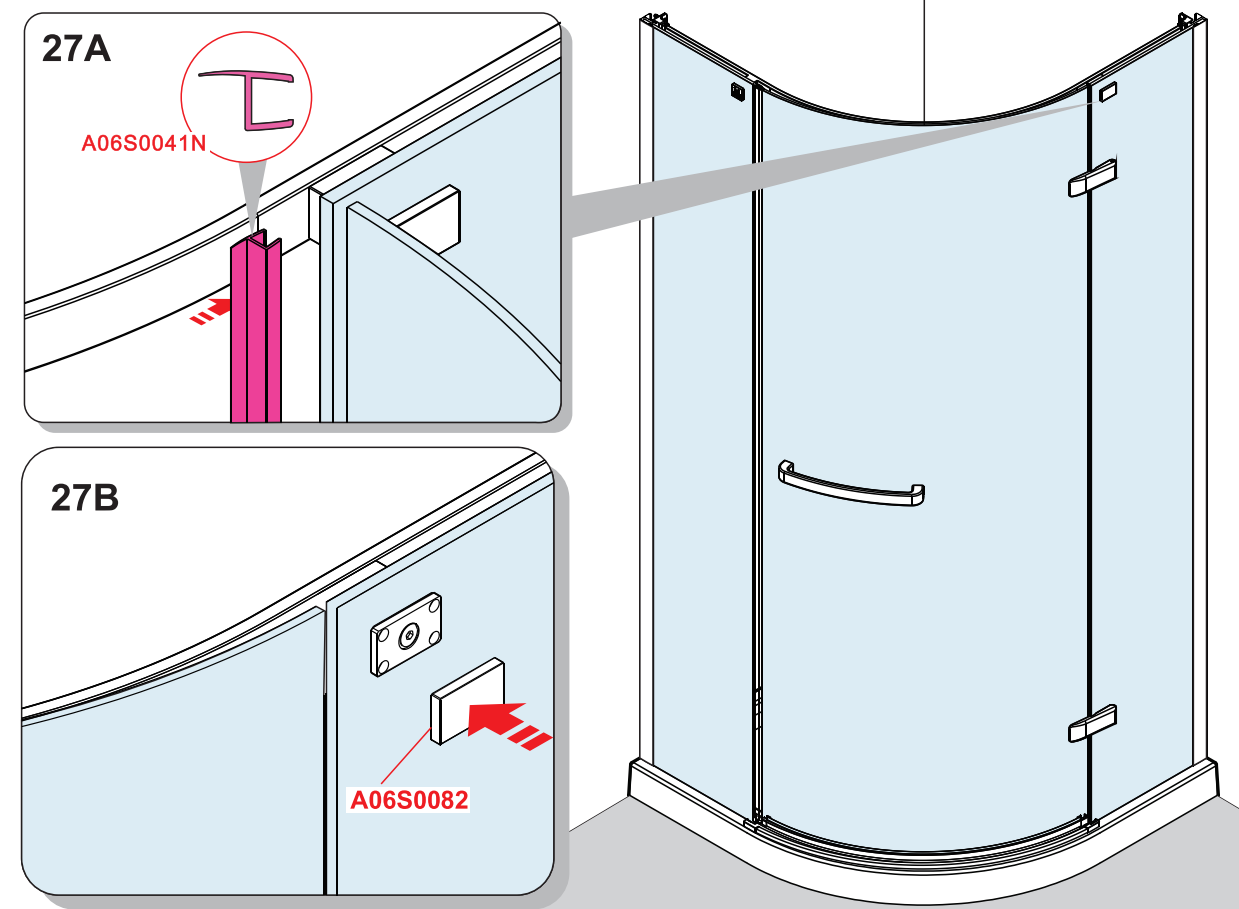
25



26

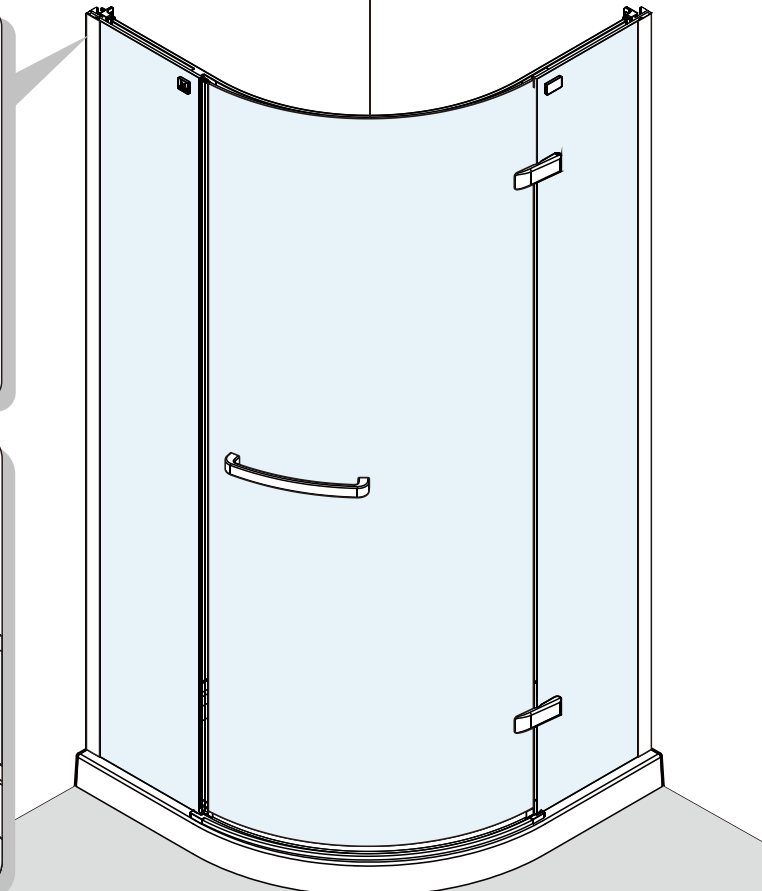
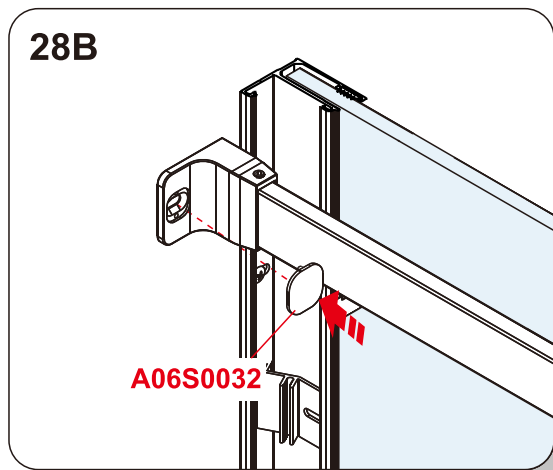
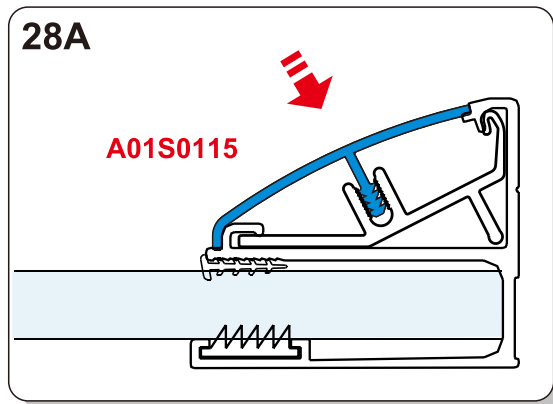


27





28



29

