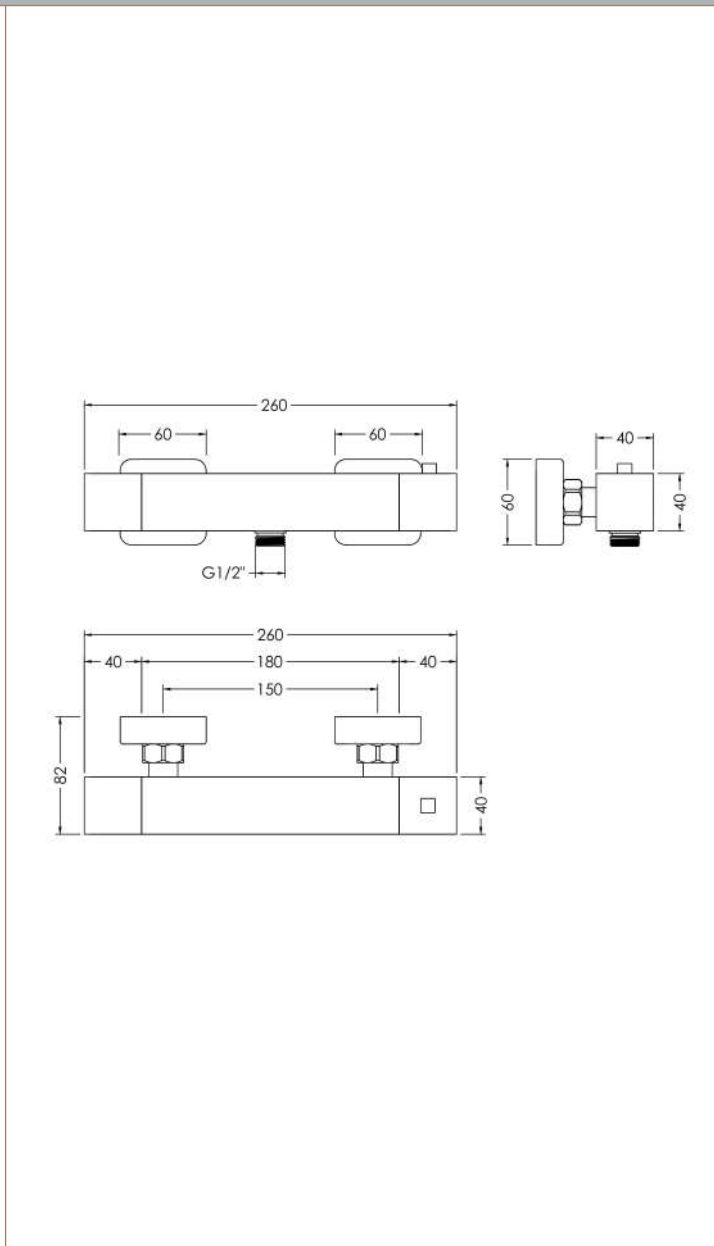


Sales Code: SAN503

Description: Sanford Thermostatic Bar Valve



Product Dimensions	
Length (mm):	
Width (mm):	275
Height (mm):	55
Depth (mm):	72
Nett Weight (kg):	1.75
Packaging Dimensions	
Length (mm):	82
Width (mm):	355
Height (mm):	80
Gross Weight (kg):	1.75
Packaging Data	
Box Colour:	White Cardboard Box
Box Qty:	0
Label Size:	0 x 0
Label Colour:	White Label
Label Qty:	0
Outer Box Dimensions (If Applicable)	
Length (mm):	
Width (mm):	420
Height (mm):	440
Depth (mm):	360
Gross Weight (kg):	
Barcode:	5056211898085
Product Details	
Country of Origin:	China
Fitting Instruction:	Yes
Product Material:	Brass/ABS
Mount Type:	Wall
Outlet Elbow Supplied:	Not Applicable
Easy Clean:	Not Applicable
Head Included:	No
Handset Included:	No
Body Jets Included:	No
No of Body Jets:	Not Applicable
Operating Pressure (bar):	0.2
Valve/Cartridge Type:	1/4 Turn Ceramic Disc
Flow Rates (L/min):	0.1 bar: 3.3 0.5 bar: 7.9 1 bar: 11.3 2 bar: 16.2 3 bar: 19.8
TMV2 Approved:	No Approval No: N/A
TMV3 Approved:	No Approval No: N/A
WRAS Approved:	No Approval No: N/A
Head Function:	Not Applicable
Handset Function:	Not Applicable
Body Jet Info:	Not Applicable
Pipe Size:	15 mm (1/2" Bsp)
Pipe Centres:	150
Colour/Finish:	Chrome
Hose Included:	No
No. of Outlets:	1