

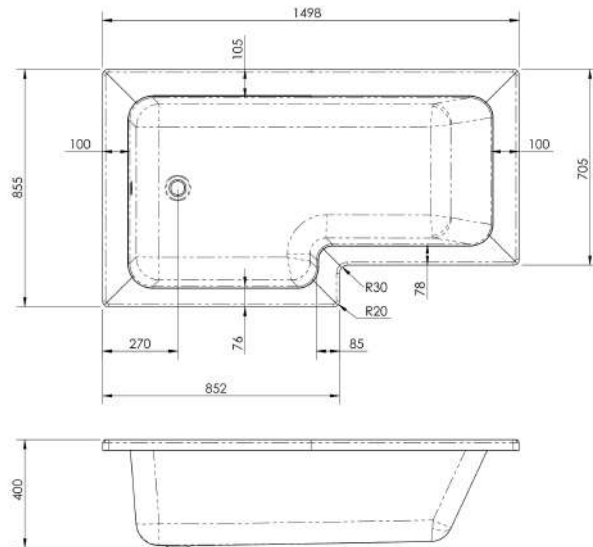
Sales Code: SBATH28

Description: 1500 Squ S/Bath Pack Lh (5mm L Screen)



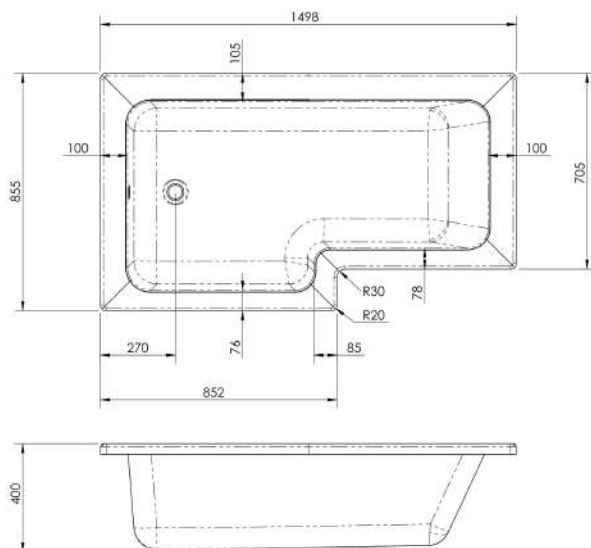
Packaging Details

Barcode: 5055275825136



Sales Code: WBS103

Description: 1500mm Square Shower Bath Lh



Product Dimensions

Length (mm):	1500
Width (mm):	850
Depth (mm):	390
Nett Weight (kg):	24.5

Packaging Dimensions

Length (mm):	1500
Width (mm):	850
Depth (mm):	425
Gross Weight (kg):	24.5

Packaging Data

Box Colour:	Brown Cardboard Sleeve
Box Qty:	1
Label Size:	x
Label Colour:	White Label
Label Qty:	

Outer Box Dimensions (If Applicable)

Length (mm):	
Width (mm):	
Height (mm):	
Gross Weight (kg):	
Barcode:	5055275824511

Product Details

Country of Origin:	Turkey
Fitting Instruction:	No
Certification:	FSC: CE & UKCA:
Material Colour Reference:	European White
Product Material:	Acrylic
Material Thickness:	4mm
Volume (Ltr):	200L
Displaced Capacity:	130L
Leg Set Included:	Legset Not Included
Waste Included:	Waste Not Included
Drilled/Undrilled:	Undrilled For Taps
Includes Grips:	No Grips Supplied
Embossed:	No
No of Tapholes:	None
Anti-Slip:	No

Sales Code: WBL001

Description: Bath Leg Set



Product Dimensions

Length (mm):
 Width (mm): 600
 Depth (mm): 60
 Nett Weight (kg): 2.5

Packaging Dimensions

Length (mm): 600
 Width (mm): 60
 Depth (mm): 60
 Gross Weight (kg): 2.5

Packaging Data

Box Colour: Brown Cardboard Sleeve
 Box Qty: 1
 Label Size: 100 x 50
 Label Colour: White Label
 Label Qty: 2

Outer Box Dimensions (If Applicable)

Length (mm):
 Width (mm):
 Height (mm):
 Gross Weight (kg):
 Barcode: 5056211809197

Product Details

Country of Origin: Poland
 Fitting Instruction: No
 Certification: FSC: CE & UKCA:

Material Colour Reference:

Product Material:

Material Thickness:

Volume (Ltr):

Displaced Capacity:

Leg Set Included:

Waste Included:

Drilled/Undrilled:

Includes Grips:

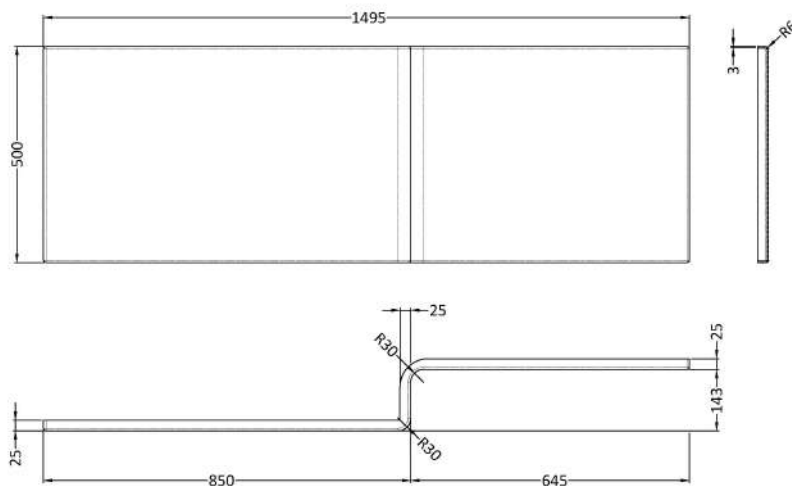
Embossed:

No of Tapholes:

Anti-Slip:

Sales Code: WBS302

Description: 1500mm Square Showerbath Front Panel



Product Dimensions

Length (mm):	1495
Width (mm):	500
Depth (mm):	167
Nett Weight (kg):	2.8

Packaging Dimensions

Length (mm):	47
Width (mm):	1015
Depth (mm):	555
Gross Weight (kg):	3

Packaging Data

Box Colour:	Polybagged With End Caps
Box Qty:	1
Label Size:	x
Label Colour:	White Label
Label Qty:	

Outer Box Dimensions (If Applicable)

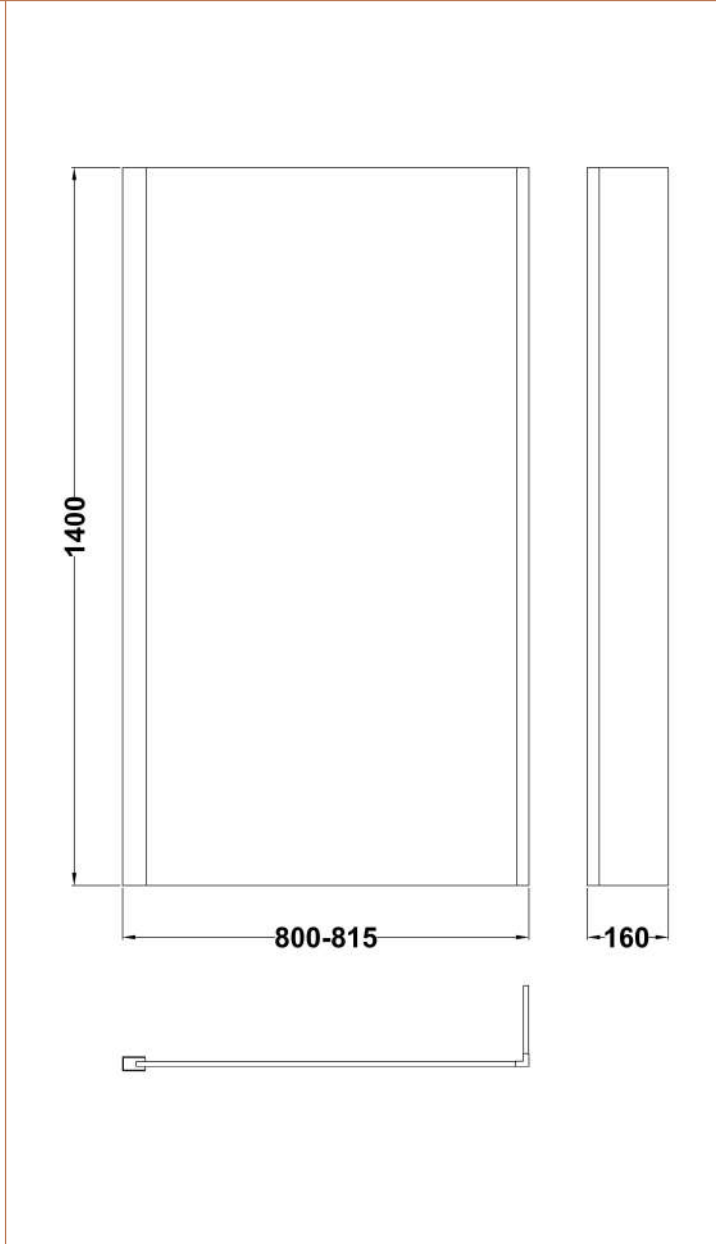
Length (mm):	
Width (mm):	
Height (mm):	
Gross Weight (kg):	
Barcode:	5055275824528

Product Details

Country of Origin:	Turkey
Fitting Instruction:	No
Certification:	FSC: CE & UKCA:
Material Colour Reference:	
Product Material:	Acrylic
Material Thickness:	
Volume (Ltr):	
Displaced Capacity:	
Leg Set Included:	Not Applicable
Waste Included:	Not Applicable
Drilled/Undrilled:	Not Applicable
Includes Grips:	Not Applicable
Embossed:	Not Applicable
No of Tapholes:	
Anti-Slip:	Not Applicable

Sales Code: NSBS2

Description: Sq Fixed Screen, Fixed Return (6)



Product Dimensions

Height (mm):	1435
Width (mm):	805
Depth (mm):	38
Nett Weight (kg):	18

Packaging Dimensions

Height (mm):	55
Width (mm):	810
Length (mm):	1460
Gross Weight (kg):	18.7

Packaging Data

Box Colour:	Brown Cardboard Box - Printed
Box Qty:	1
Label Size:	140 x 30
Label Colour:	Not Applicable
Label Qty:	0

Outer Box Dimensions (If Applicable)

Height (mm):	
Width (mm):	
Depth (mm):	
Length (mm):	
Gross Weight (kg):	
Barcode:	5055369001071

Product Details

Country of Origin:	China
Fitting Instruction:	No
CE & UKCA:	Yes
Profile Material:	Aluminium
Profile Finish:	Polished Chrome
Adjustments (mm):	800mm - 815mm
Entry Width (mm):	N/A
Swing In Dim (mm):	N/A
Swing Out Dim (mm):	N/A
Radius (mm):	Not Applicable
Glass Thickness (mm):	6
Easy Fit:	No
Easy Clean:	No
Handle Style:	Not Applicable
Handle Material:	Not Applicable
Enclosure Design:	Frameless
Wheel Type:	Not Applicable
Support Bar Included:	Support Bar Not Included
Extras:	None