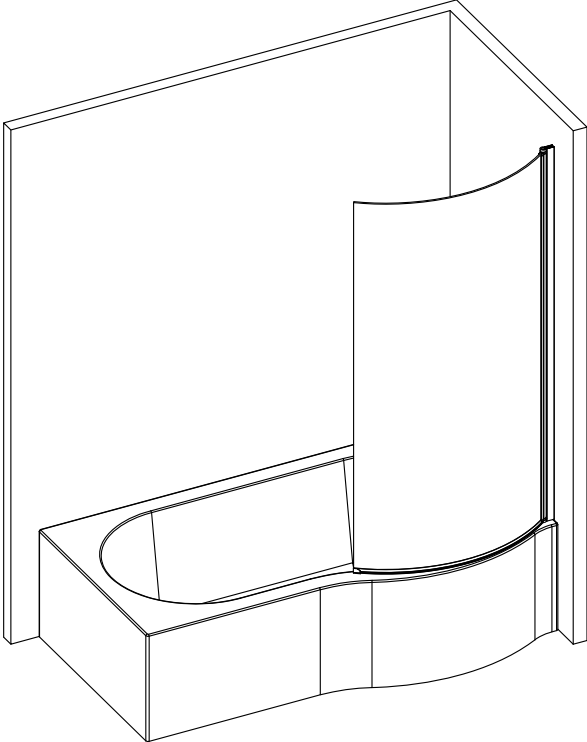
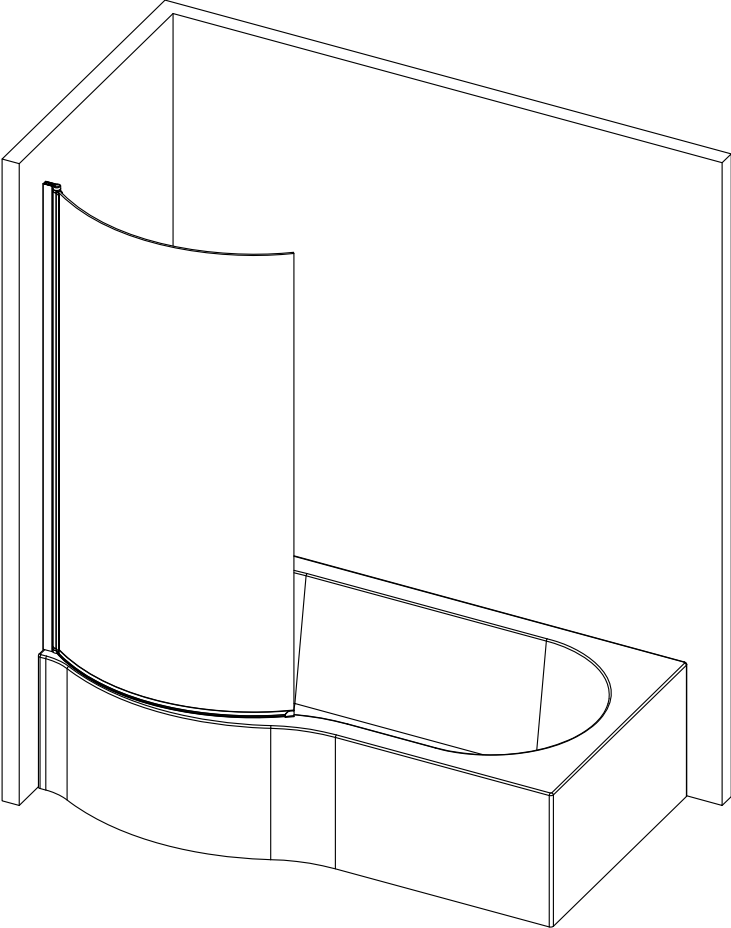
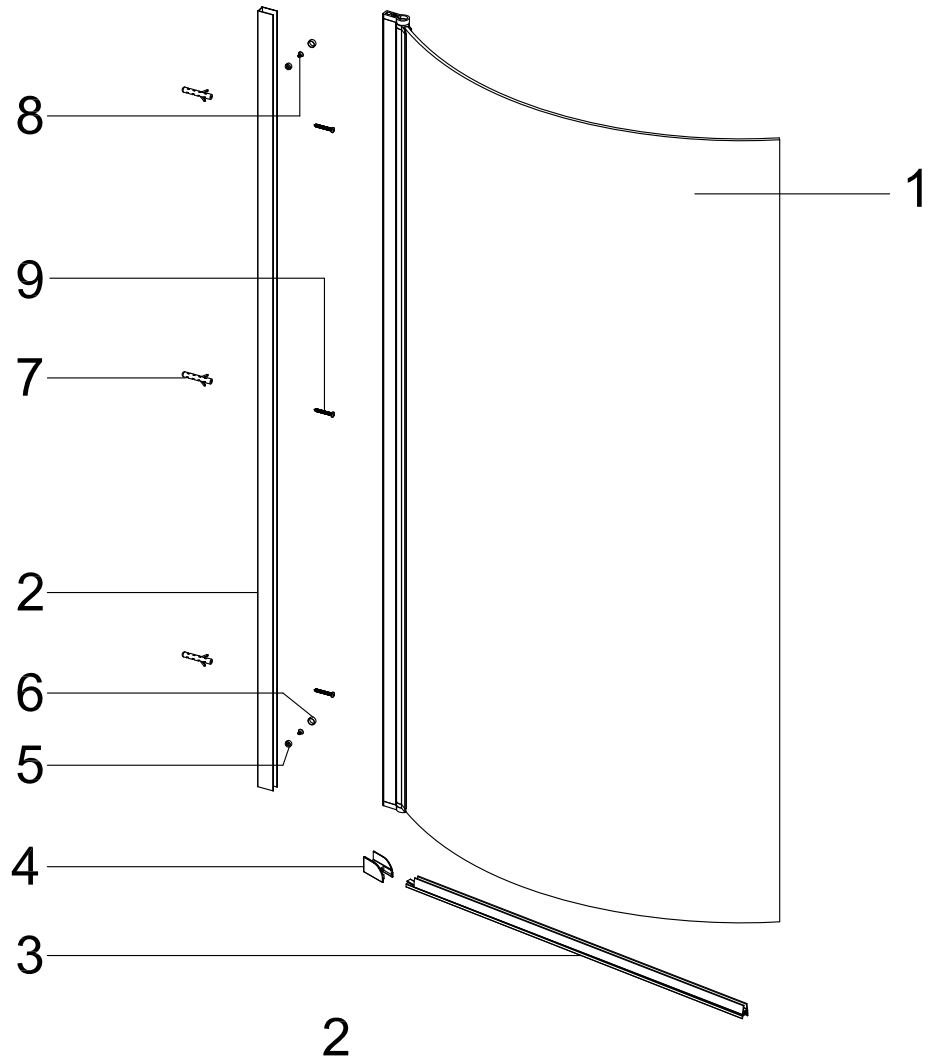
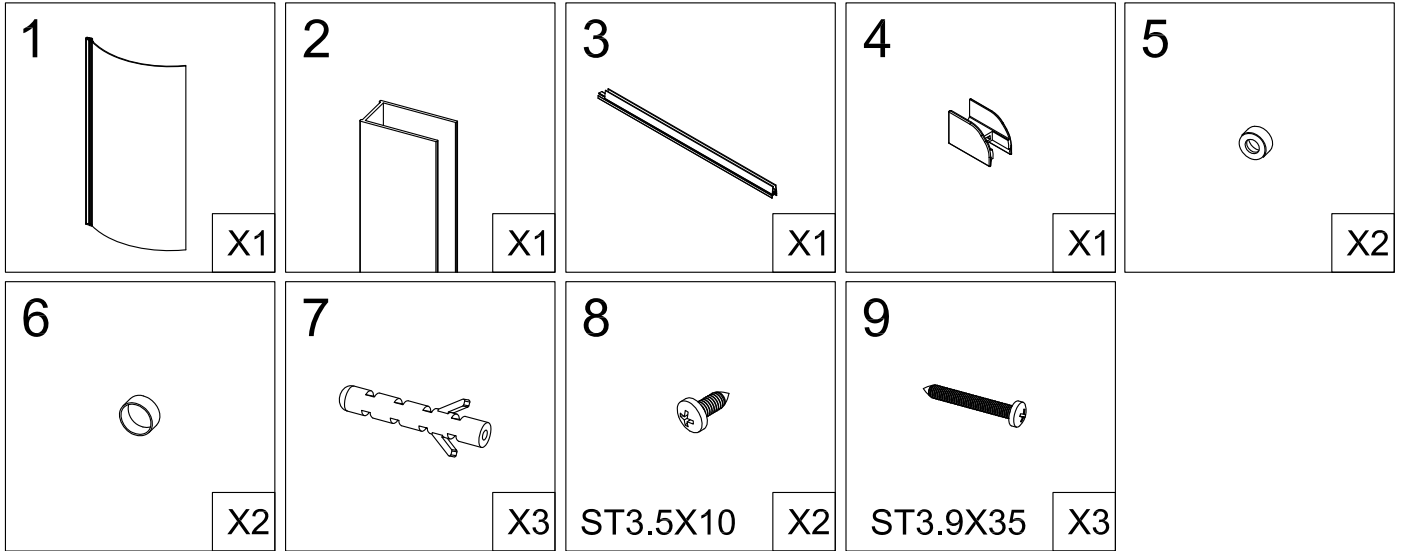
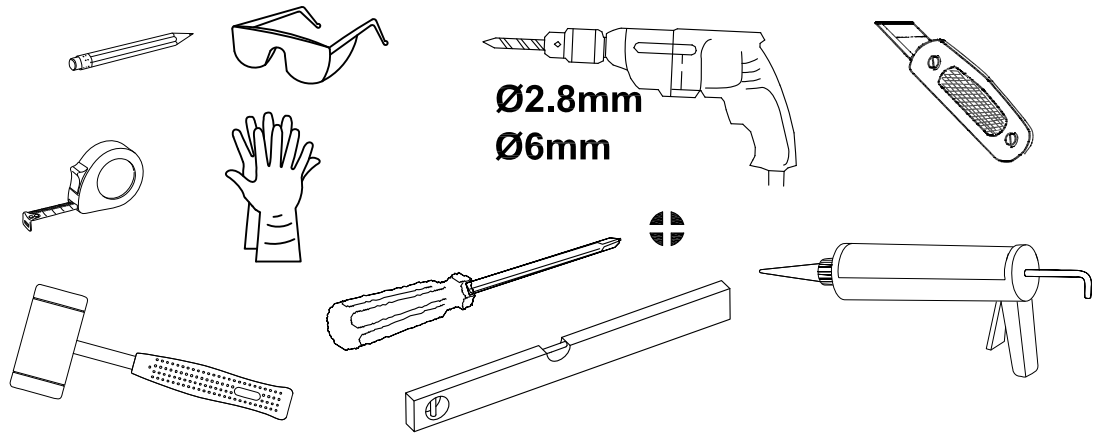
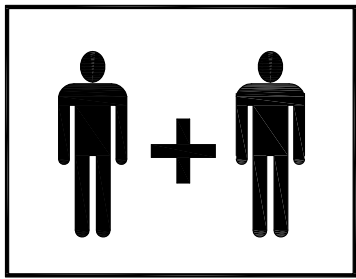
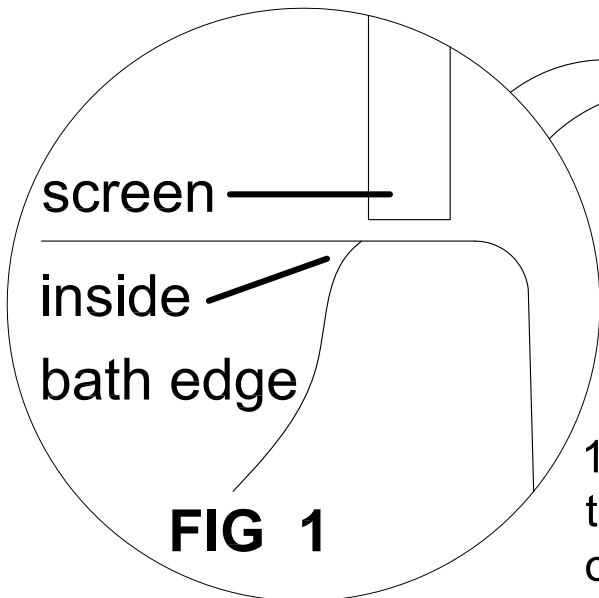
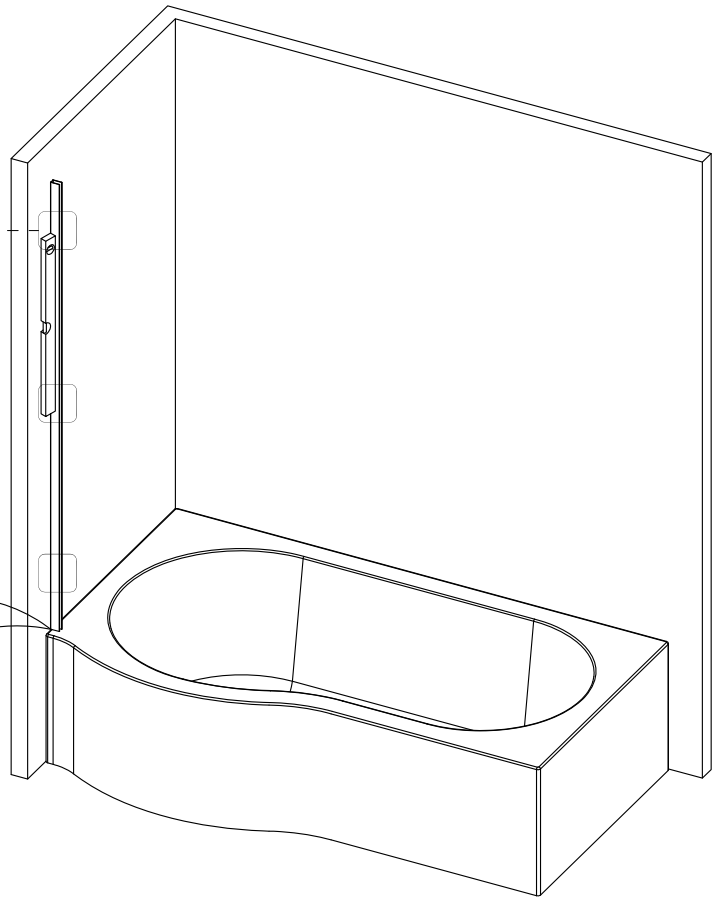
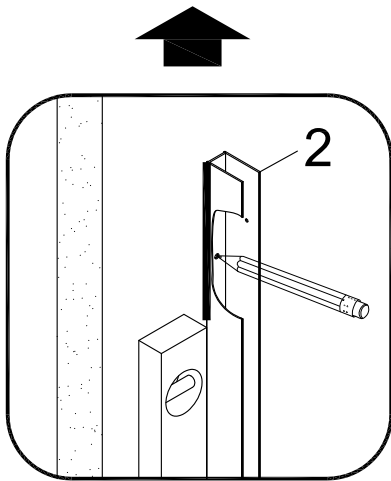
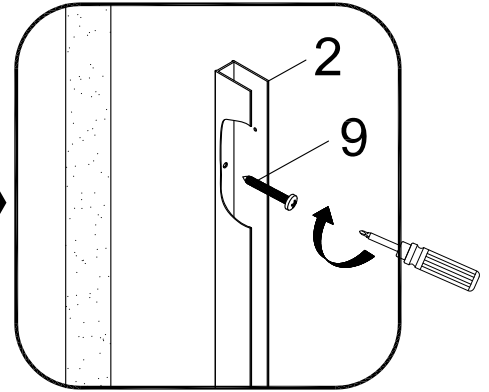
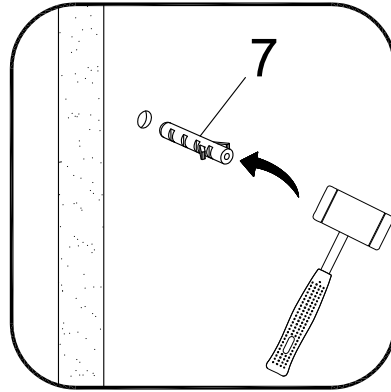
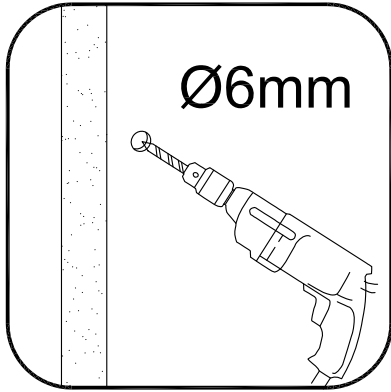
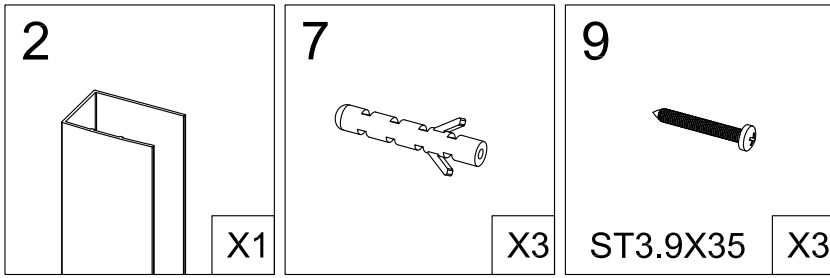
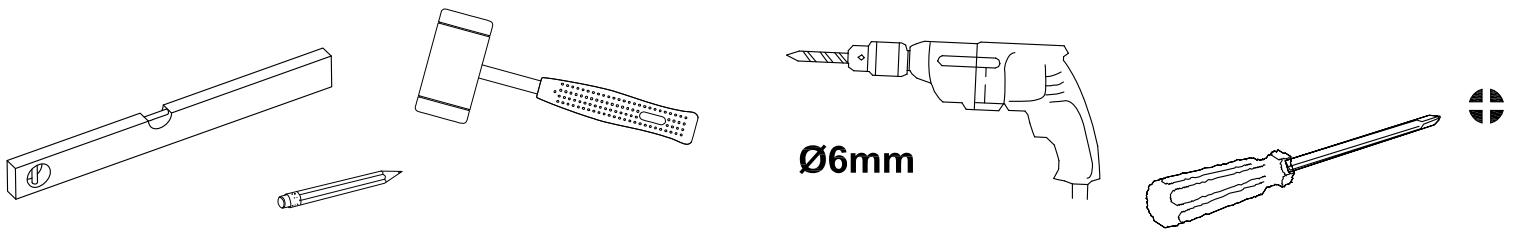


# BATH SCREEN

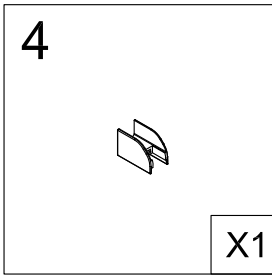
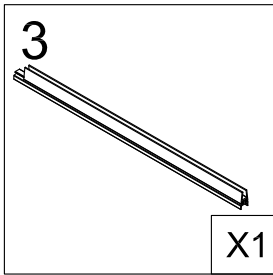
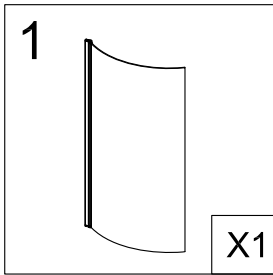
## ASSEMBLY GUIDE



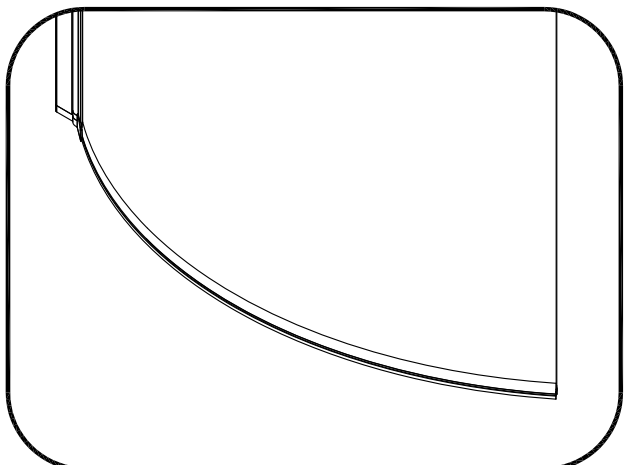
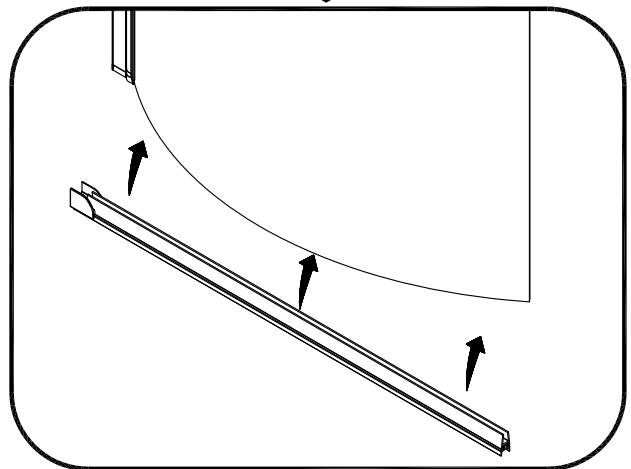
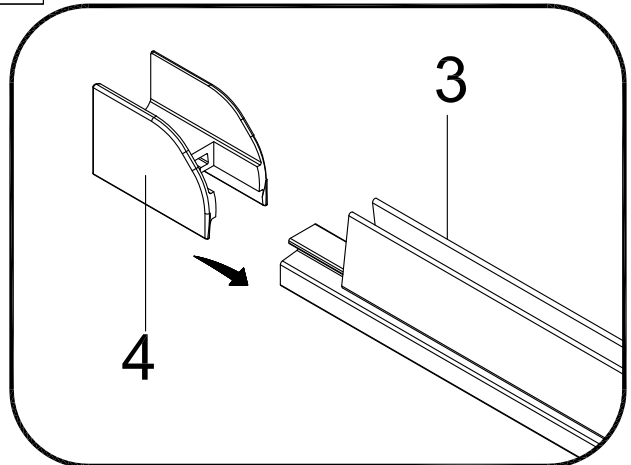
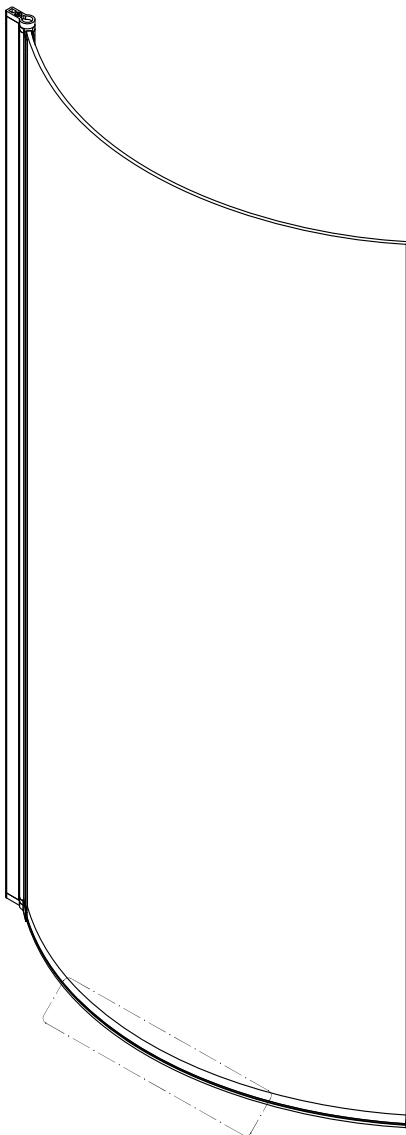


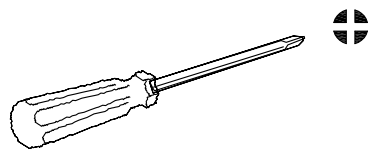
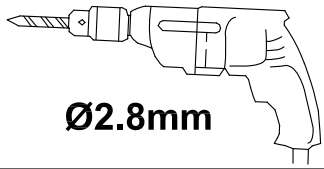





1. Position the wall profile so the seal on the moving panel sits on the inside edge of the bath .**FIG 1.**

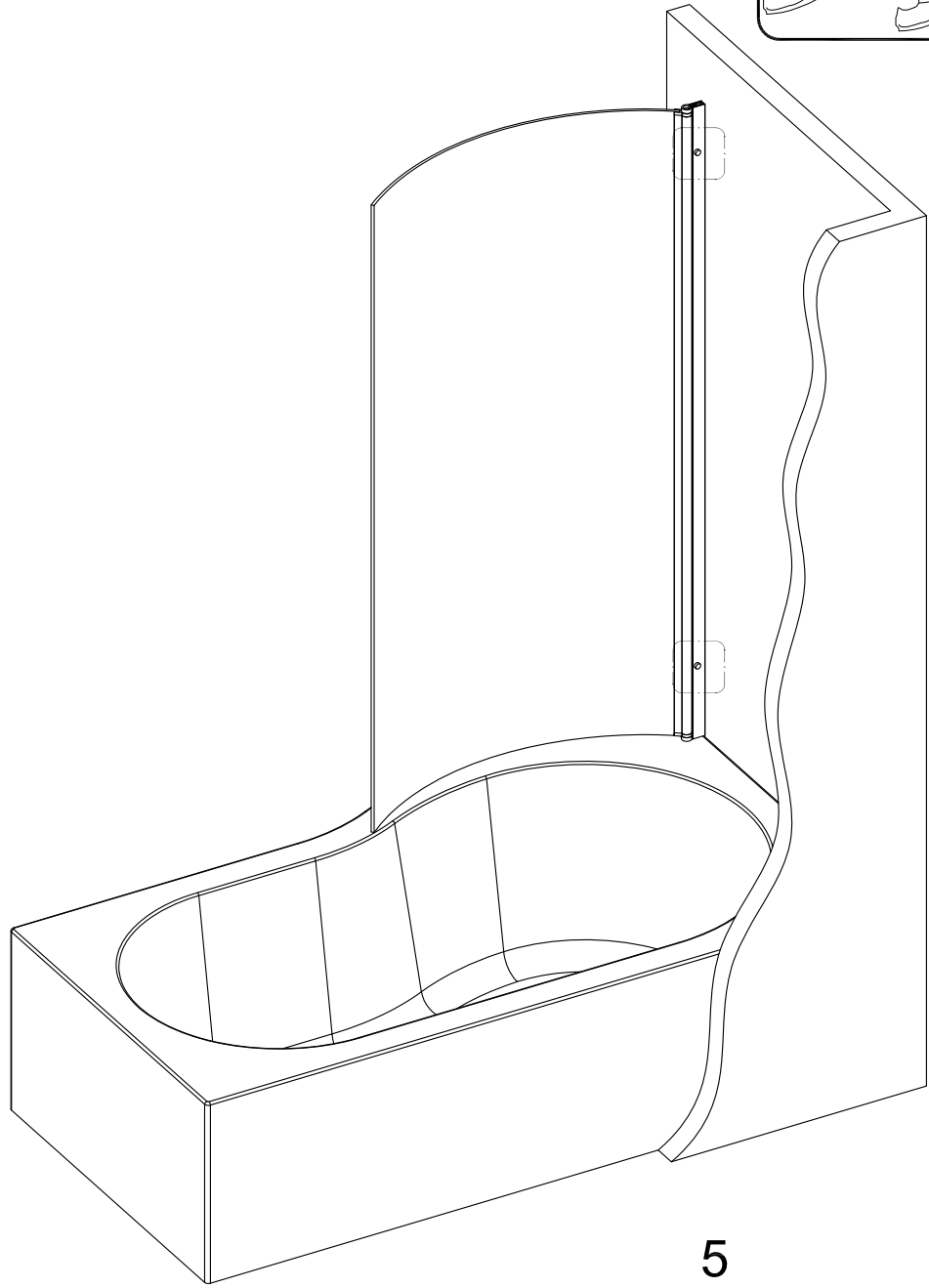
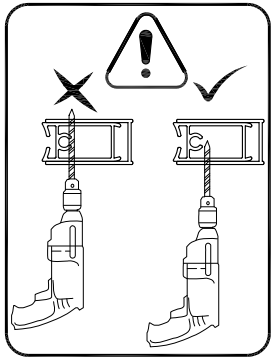
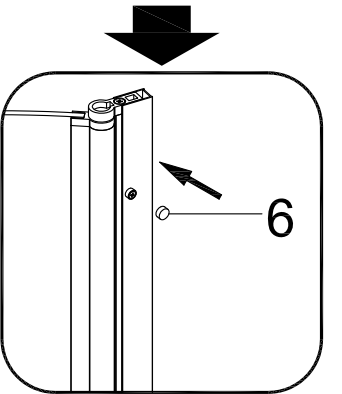
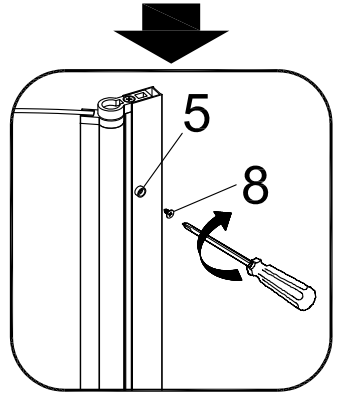
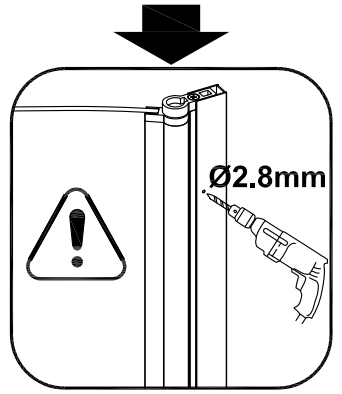
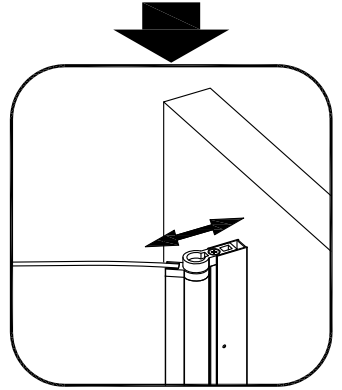
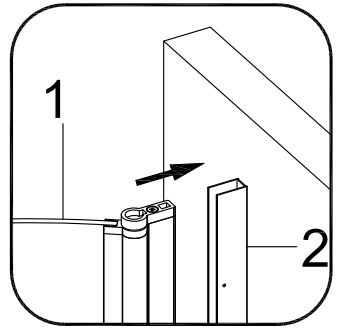


**WARNING** Before securing screen ensure smooth opening and closing action





<p>5</p>  <p>X2</p>	<p>6</p>  <p>X2</p>	<p>8</p>  <p>ST3.5X10 X2</p>
--	--	---



5

