

# PRODUCT DATA SHEET

## S8 Infold Shower Door 800mm

Product Code: SCUD800INFOLD

Product Measurements	
Product Weight:	27kg
Product Width:	800mm
Product Height:	1900mm
Product Depth:	8mm
Product Length:	N/A
Product Transportation	
Barcode:	5060500649135
Country of Origin:	China
Comodity Code:	7610909095
Primary Packed Measurements	
Packaged Weight:	31.5kg
Packaged Length:	1980mm
Packaged Width:	800mm
Packaged Height:	65mm
Packaging Weight	
Card:	2.8kg
Paper:	N/A
Wood:	N/A
Plastic:	N/A
General Information	
Construction Material:	Aluminium / Glass
Installation Type:	Wall Mounted
Colour / Finish:	Chrome / Clear Glass
Enclosure Attributes	
Adjustment:	750-790mm
Aqua-Shield:	Yes
Hinge Type:	Infold
Door Type:	Single Door
Frame Type:	Framed
Glass Type:	Clear
Radius:	N/A
Entry Width:	570mm
Door In Swing:	260mm
Door Out Swing:	315mm
Enclosure Shape:	Rectangular
Glass Thickness:	8mm
Profile Finish/Colour:	Chrome
Profile Material:	Aluminium
Compliance DOP	
HBDOC019 / HBDOC020	

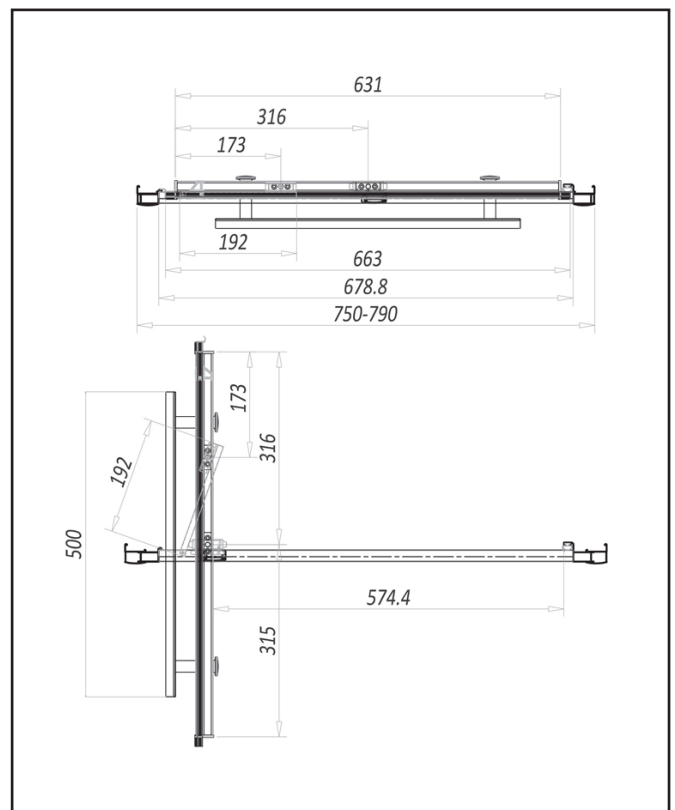


**SCUDO**  
BEAUTIFUL BATHROOMS

0330 124 7290

sales@scudo.co.uk - www.scudo.co.uk

Scudo is the trading name of Harrison Bathrooms Ltd. Whilst we endeavour to ensure that the product information is accurate we accept no liability for any information given. All images are for illustration purposes only. Product images and specification are subject to change. Measurement are in millimetres and are nominal.



**Dimensions**  
(measurements in mm)



### LIFETIME GUARANTEE

We are confident in our products and we want our customer to be, we proudly give a lifetime guarantee on our taps and showers, further details can be found on our website