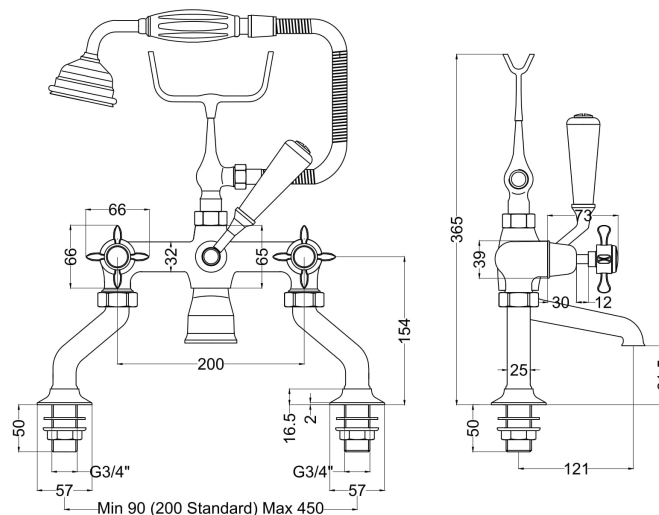


Sales Code: SEL304DX

Description: Selby Xhead D/M Bsm With Kit



Product Dimensions

| | |
|-------------------|-----|
| Height (mm): | 320 |
| Width (mm): | 350 |
| Depth (mm): | 155 |
| Length (mm): | |
| Nett Weight (kg): | 4.9 |

Packaging Dimensions

| | |
|--------------------|-----|
| Height (mm): | 150 |
| Width (mm): | 250 |
| Depth (mm): | 330 |
| Gross Weight (kg): | 4.9 |

Packaging Data

| | |
|---------------|---------------------|
| Box Colour: | White Cardboard Box |
| Box Qty: | 1 |
| Label Size: | 100 x 50 |
| Label Colour: | White Label |
| Label Qty: | 1 |

Outer Box Dimensions (If Applicable)

| | |
|--------------|-----|
| Height (mm): | 320 |
| Width (mm): | 345 |
| Depth (mm): | 520 |

| | |
|--------------------|---------------|
| Length (mm): | |
| Gross Weight (kg): | |
| Barcode: | 5056462623849 |

Product Details

| | |
|---------------------------|-----------------------|
| Country of Origin: | United Kingdom |
| Fitting Instruction: | No |
| Product Material: | Brass |
| Control Type: | Manual |
| Waste Included: | Waste Not Included |
| Waste Type: | Not Applicable |
| WRAS Approval: No | Approval No: N/A |
| Valve/Cartridge Type: | 1/4 Turn Ceramic Disc |
| Colour/Finish: | Chrome |
| Mount Type: | Deck |
| Operating Pressure (bar): | 0.2 |

| | |
|------------------------------|---|
| Flow Rates: (Litres Per Min) | 0.1 bar: 10.6 0.5 bar: 28.6 1 bar: 41.4 2 bar: 59 3 bar: 72.8 |
| Pipe Size: | 22 mm (3/4" Bsp) |
| Pipe Centres: | 90-300mm |