

SHO331KBN - Kolt Thermostatic Bar Shower Brushed Nickel

BAR CODE: 5055681461492

COLOUR: Brushed Nickel

WEIGHT:

NET 1.96kg

GROSS 2.09kg

STANDARDS: BS EN 1111

NOTES:

SUITABLE FOR PRESSURES BETWEEN 0.2 - 5 BAR

HOT & COLD PRESSURES MUST BE BALANCED

SUITABLE FOR COMBI- BOILERS, UNVENTED MAINS

PRESSURE SYSTEMS AND GRAVITY FED SYSTEMS

SUITABLE FOR SHOWER PUMPS

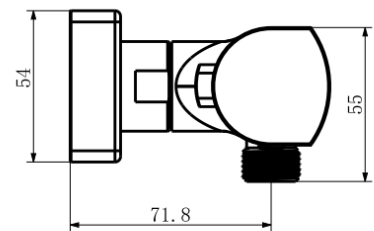
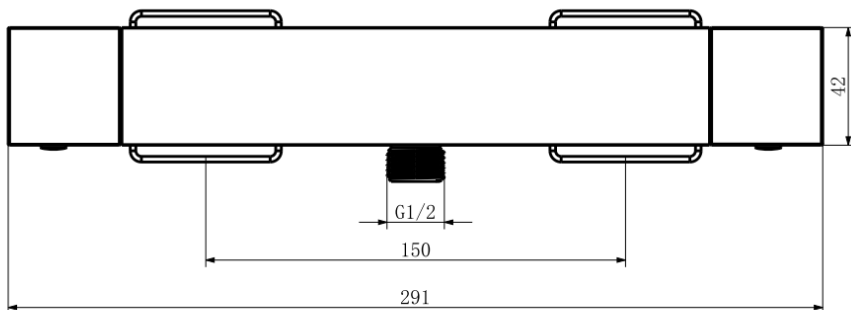
ANTI SCALD (THERMO STOP SET AT 38°C)

OVER HEAD SS DRENCHER/ MULTI- FUNCTION HAND

SET Flow Rate:



0.2 bar	0.5 bar	1 bar	2 bar	3 bar	5 bar
5 L	8.7 L	12.5L	17.7 L	21.2 L	27 L



BOX SIZE 385X88X100