

# PRODUCT DATA SHEET

## P Shape Shower Bath Right

Product Code: SHOWERBATH009-D

### Product Measurements

Product Weight:	23.48kg
Product Width:	800mm
Product Height:	1680mm
Product Depth:	400mm
Product Length:	N/A

### Product Transportation

Barcode:	5060766127248
Country of Origin:	Egypt
Comodity Code:	3922100000

### Primary Packed Measurements

Packaged Weight:	24kg
Packaged Length:	850mm
Packaged Width:	1700mm
Packaged Height:	400mm

### Packaging Weight

Card:	0.5kg
Paper:	0
Wood:	0
Plastic:	0

### General Information

Construction Material:	Acrylic
Installation Type:	Wall Mounted
Colour / Finish:	White

### Bath Attributes

Bath Water Capacity (Litres):	240
Bath Water Capacity (m3):	0.240
Shape:	P-Shape
Handed:	Right
Bath Feet Included:	Yes
Supplied with Tap Holes:	No
Height Overflow/Soak Depth:	305mm
Internal Length Base (mm):	1230mm
Internal Width/Depth Base:	420mm
Internal Height:	380mm
Supplied with Front Panel :	No
Supplied with End Panel:	No
Compatible Panel Part Code:	SHOWERBATH003-D

### Compliance DOP

HBDOC080 / HBDOC081

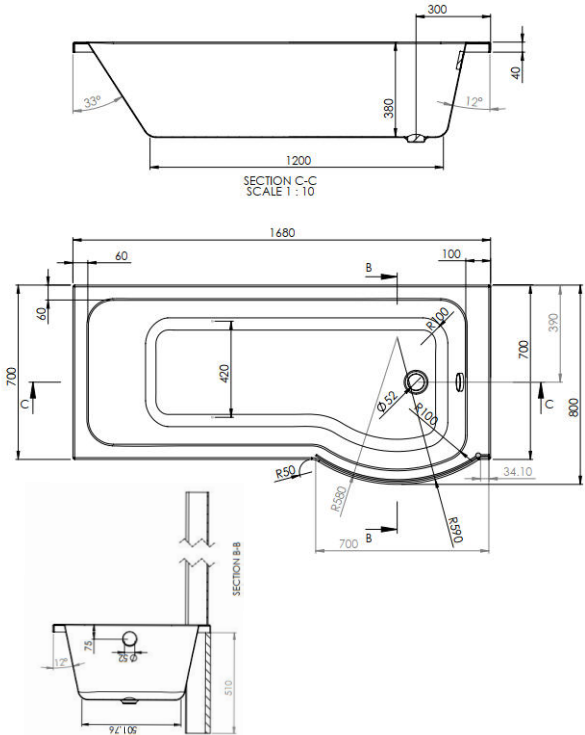


**SCUDO**  
BEAUTIFUL BATHROOMS

0330 124 7290

sales@scudo.co.uk - www.scudo.co.uk

Scudo is the trading name of Harrison Bathrooms Ltd. Whilst we endeavour to ensure that the product information is accurate we accept no liability for any information given. All images are for illustration purposes only. Product images and specification are subject to change. Measurement are in millimetres and are nominal.



**Dimensions**  
(measurements in mm)



#### LIFETIME GUARANTEE

We are confident in our products and we want our customer to be, we proudly give a lifetime guarantee on our taps and showers, further details can be found on our website