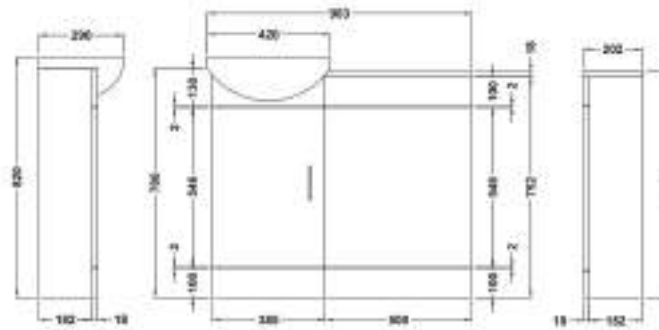


Sales Code: SIE002

Description: Sienna Cloakroom Pack W/Out Mono Basin

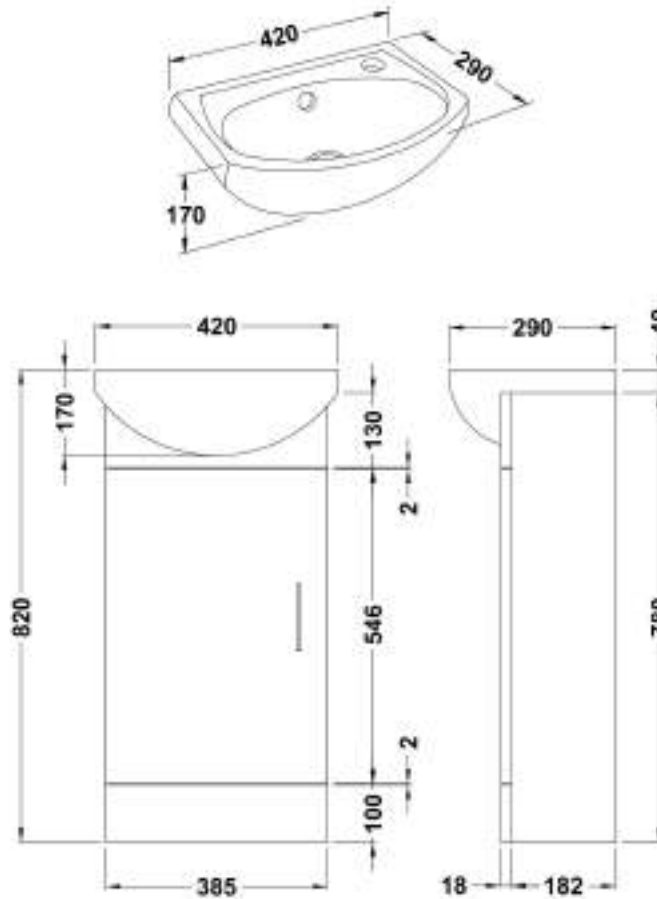


Packaging Details

Barcode: 5055369012343

Sales Code: NVS100

Description: 400 Gloss White Unit & Basin



Product Dimensions

Height (mm):	780
Width (mm):	400
Depth (mm):	200
Nett Weight (kg):	17.14

Packaging Dimensions

Height (mm):	810
Width (mm):	230
Depth (mm):	400
Gross Weight (kg):	17.14

Packaging Data

Box Colour:	Brown Cardboard Box - Printed
Box Qty:	1
Label Size:	100 x 50
Label Colour:	Not Applicable
Label Qty:	0

Outer Box Dimensions (If Applicable)

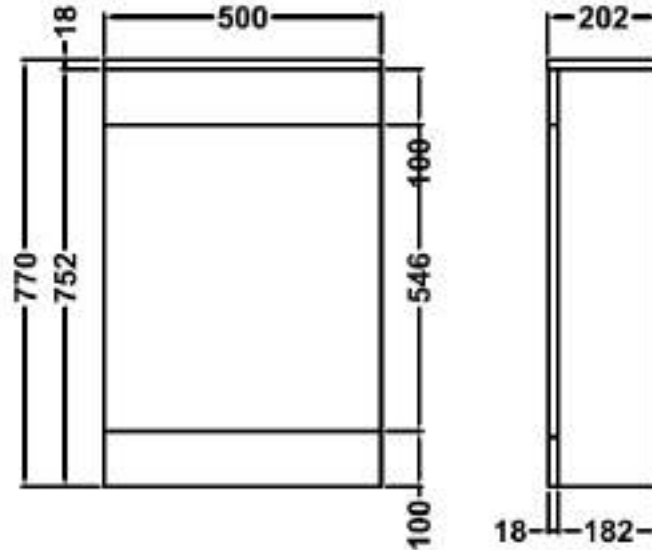
Height (mm):	
Width (mm):	
Depth (mm):	
Gross Weight (kg):	
Barcode:	5055369001880

Product Details

Country of Origin:	China
Fitting Instruction:	No
CE Certification:	No
FSC Certified Materials:	Yes
Colour:	Gloss White
Construction Method:	Cam & Wood Dowel
Construction Type:	Rigid
Cabinet Finish:	MFC Painted Gloss
Fascia Finish:	Mdf Painted Gloss
Cabinet Thickness (mm):	16
Fascia Thickness (mm):	18
Drawer Included:	No
Drawer Type:	Not Applicable
No of Shelves:	1
Hinge Type:	95 Degree Clip-On Soft Close
Hinge Included:	Yes
Adjustable Legs:	No
Fixings Included:	No
Handle Style:	Modern
Waste Shroud:	No
Handle Included:	Yes
Handle Type:	Bar

Sales Code: NVS142

Description: Gloss White 500 Wc Unit Inc Conc Cistern



Product Dimensions

Height (mm):	770
Width (mm):	500
Depth (mm):	202
Nett Weight (kg):	15.28

Packaging Dimensions

Height (mm):	230
Width (mm):	525
Depth (mm):	815
Gross Weight (kg):	15.28

Packaging Data

Box Colour:	Brown Cardboard Box - Printed
Box Qty:	1
Label Size:	100 x 50
Label Colour:	Not Applicable
Label Qty:	0

Outer Box Dimensions (If Applicable)

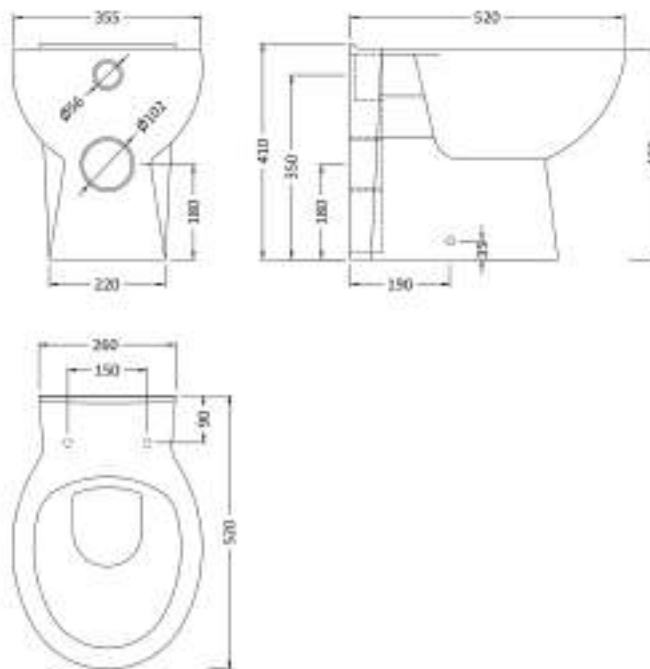
Height (mm):	
Width (mm):	
Depth (mm):	
Gross Weight (kg):	
Barcode:	5055369002580

Product Details

Country of Origin:	China
Fitting Instruction:	No
CE Certification:	No
FSC Certified Materials:	Yes
Colour:	Gloss White
Construction Method:	Cam & Wood Dowel
Construction Type:	Rigid
Cabinet Finish:	MFC Painted Gloss
Fascia Finish:	Mdf Painted Gloss
Cabinet Thickness (mm):	16
Fascia Thickness (mm):	18
Drawer Included:	No
Drawer Type:	Not Applicable
No of Shelves:	0
Hinge Type:	Not Applicable
Hinge Included:	No
Adjustable Legs:	No
Fixings Included:	No
Handle Style:	Not Applicable
Waste Shroud:	No
Handle Included:	No
Handle Type:	Not Applicable

Sales Code: BTW002

Description: Standard Toilet Pan



Product Dimensions

Height (mm):	410
Width (mm):	355
Depth (mm):	520
Nett Weight (kg):	18.5

Packaging Dimensions

Height (mm):	420
Width (mm):	395
Depth (mm):	555
Gross Weight (kg):	19

Packaging Data

Box Colour:	Brown Cardboard Box - Printed
Box Qty:	1
Label Size:	100 x 50
Label Colour:	Not Applicable
Label Qty:	2

Outer Box Dimensions (If Applicable)

Height (mm):	
Width (mm):	
Depth (mm):	
Gross Weight (kg):	
Barcode:	5055369003730

Product Details

Country of Origin:	China
Fitting Instruction:	No
Certification:	CE: Yes WRAS: N/A WRAS No: N/A
Product Material:	Vitreous China
Fixing Supplied:	No

Pans/Bidets: Trap Style: P Trap Includes Seat: No

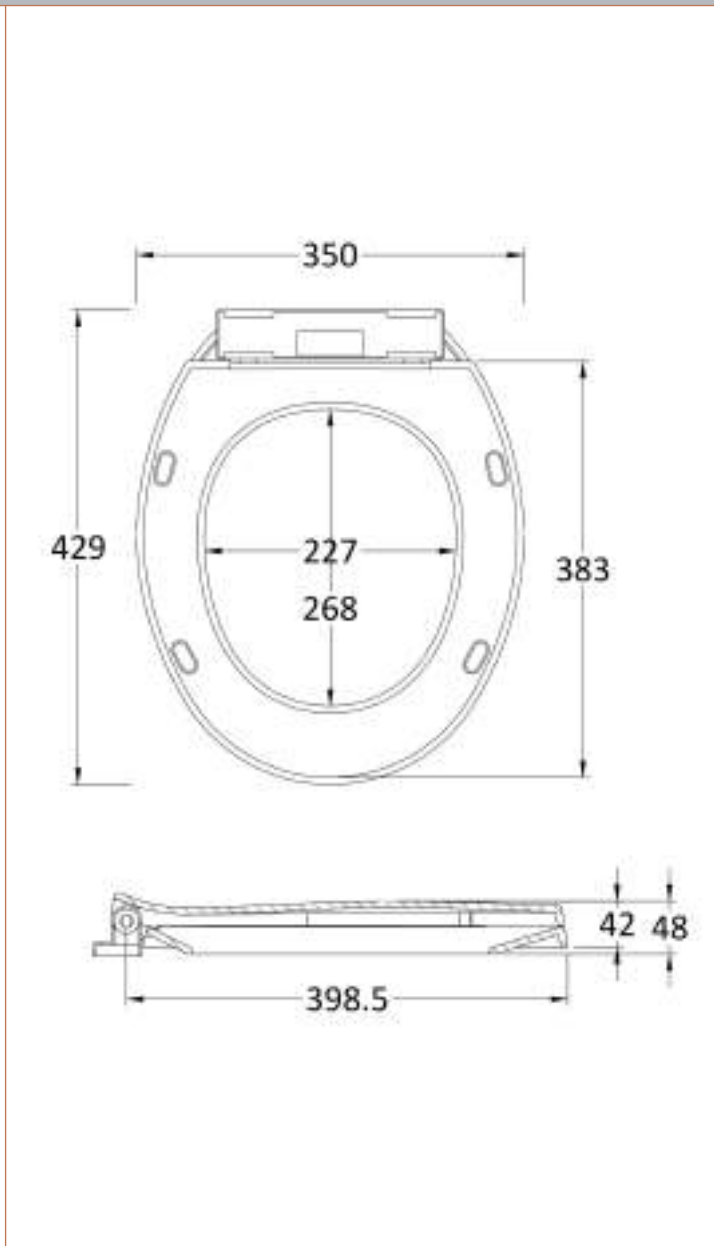
Seats: Seat Type: Round Material: Not Applicable
 Function: Not Applicable Hinge Type: Top & Bottom Fix
 Hinge Material: Not Applicable

Cisterns: Operating Type: Not Applicable Fittings: Not Applicable
 Lever Type: Not Applicable

Basins: Tap Hole: Not Applicable Chain Stay Hole: Not Applicable
 Template: Not Applicable Waste Type Req: Not Applicable
 Overflow Inc: Not Applicable Overflow Cover: Not Applicable
 Inner Bowl Depth (mm): N/A

Sales Code: NTS010

Description: Standard Round Seat, Sc, Bottom Fix



Product Dimensions

Length (mm):	429
Width (mm):	350
Height (mm):	48
Nett Weight (kg):	1.2

Packaging Dimensions

Length (mm):	440
Width (mm):	350
Height (mm):	70
Gross Weight (kg):	1.42

Packaging Data

Box Colour:	White Cardboard Box - Printed
Box Qty:	1
Label Size:	100 x 50
Label Colour:	Not Applicable
Label Qty:	

Outer Box Dimensions (If Applicable)

Length (mm):	480
Width (mm):	330
Height (mm):	400
Gross Weight (kg):	14
Barcode:	5055369001446

Product Details

Country of Origin:	China
Fitting Instruction:	No
CE Certification:	Not Applicable
Product Material:	Polypropylene
Seat Type:	Round
Seat Function:	Soft Close
Hinge Centres (Min):	120
Hinge Centres (Max):	180
Hinge Material:	Polypropylene
Colour/Finish:	White
Fixing Method:	Bottom Fix