



**SCUDO**  
BEAUTIFUL BATHROOMS

SHOWER INSTRUCTION &  
INFORMATION LEAFLET

# Thermostatic Shower Kit Installation Instructions



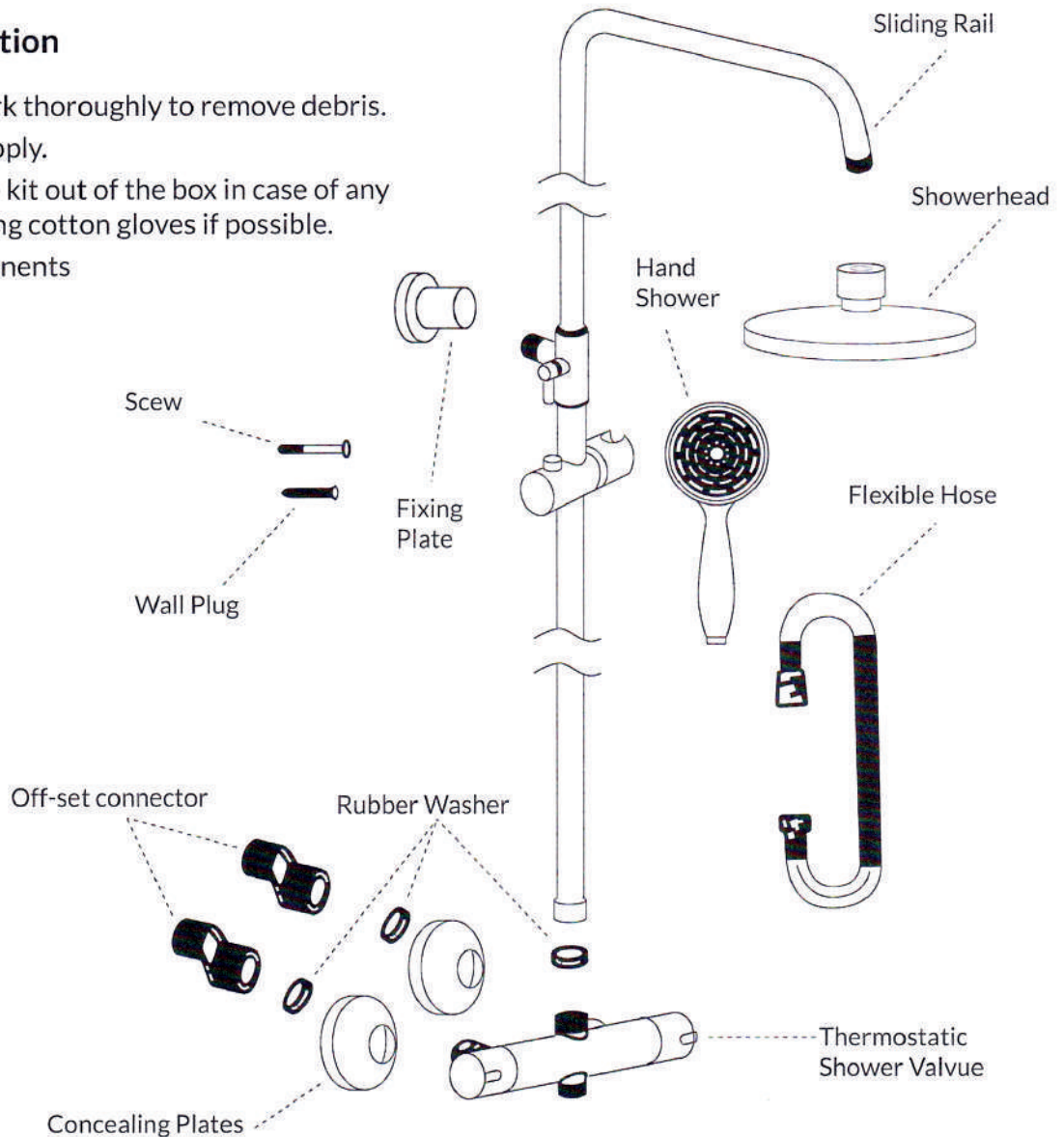
## WARNING

BEFORE INSTALLING OF VALUE PLEASE CHECK THE FOLLOWING:

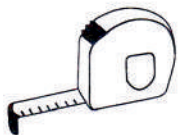
1. This shower valve should only be installed by a qualified registered plumbing engineer.
2. This shower valve has a minimum operating pressure of 1 bar (34ft head of pressure) and a max 3 bar (105ft of head pressure)
3. This valve requires near equal pressure of hot and cold supply (An in balance of pressures will effect the stability and operation of this shower valve)

## I. Before Installation

1. Flush out pipework thoroughly to remove debris.
2. Turn off water supply.
3. Carefully take the kit out of the box in case of any scratches, wearing cotton gloves if possible.
4. Identify all components



## 5. Tools you might need.



Tape



Screw Driver



Electric Drill



Pen



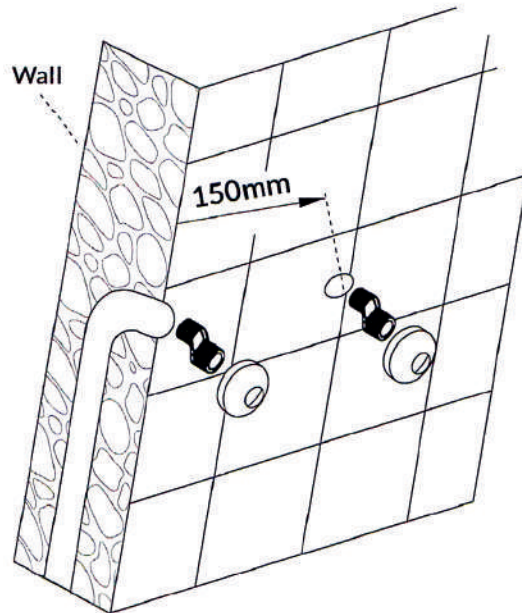
Adjustable Spanner



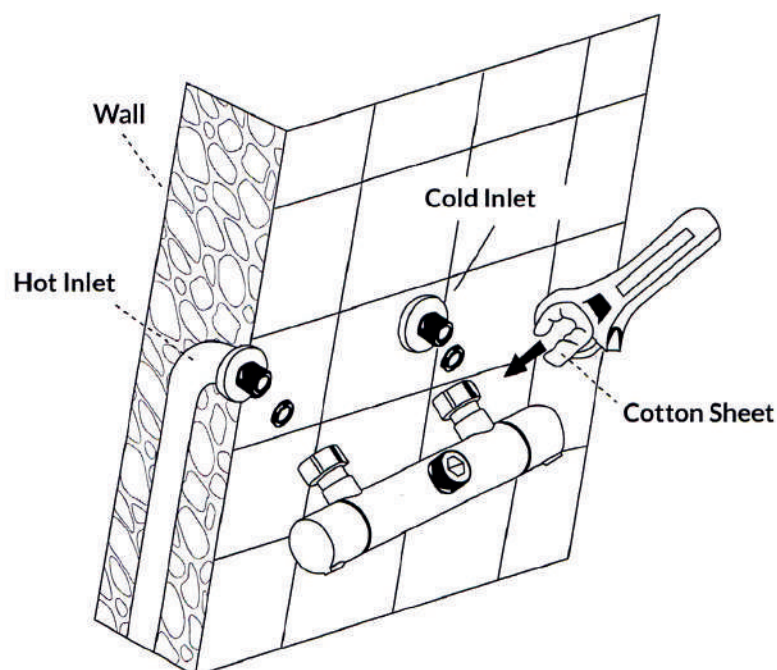
Allen Key

## II. Installation Procedure

1. Fit off-set connector to the water inlets in the wall, then screw the concealing plates onto the off-set connector until they come into contacting with the wall. Seal with an appropriate sealant.

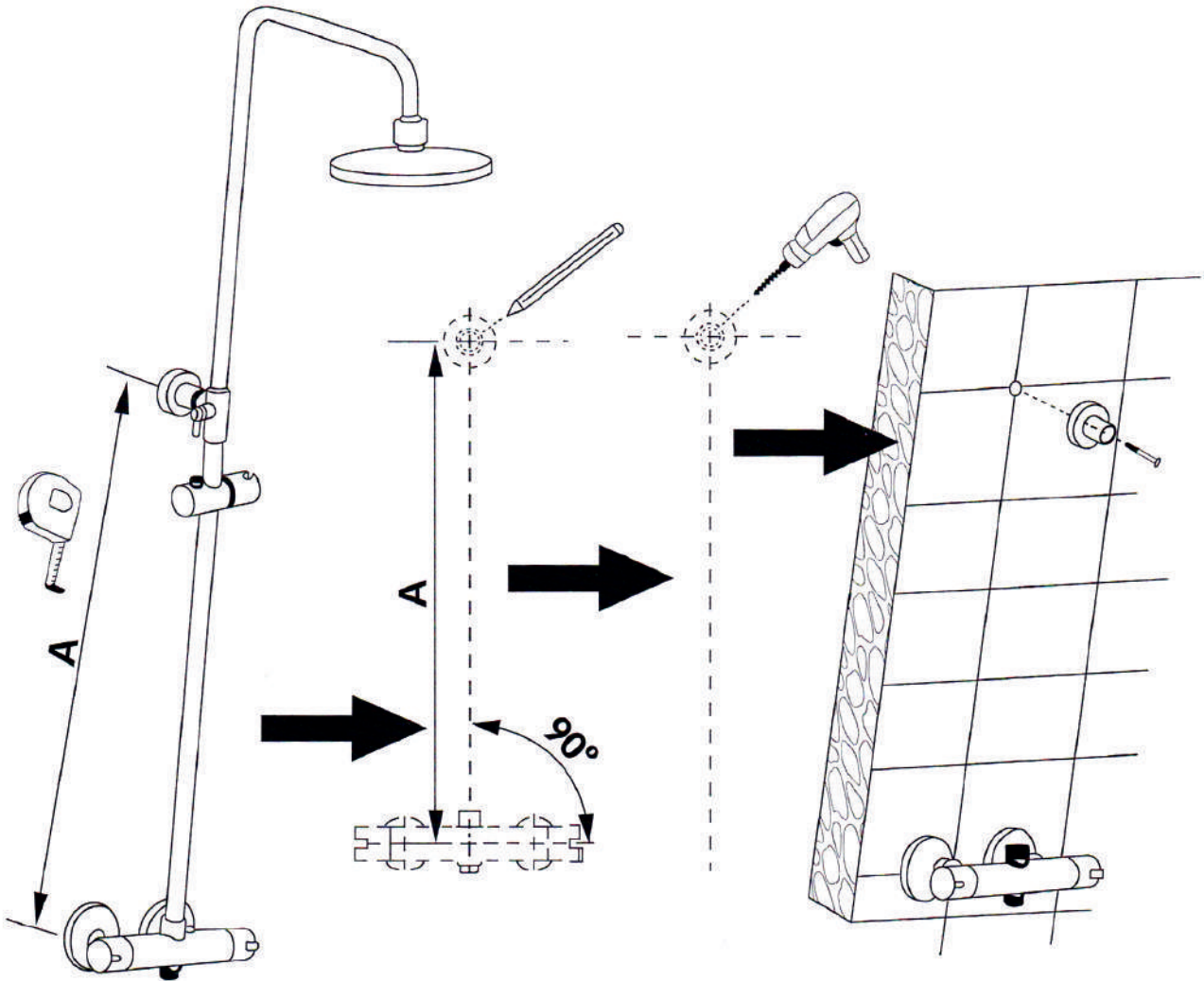


2. Fix the connector of shower valve to the off-set connector with spanner. Please use a cotton sheet inside of spanner in case of any scratches. Make sure hot inlet on the left and cold inlet on the right, otherwise it will affect the performance.



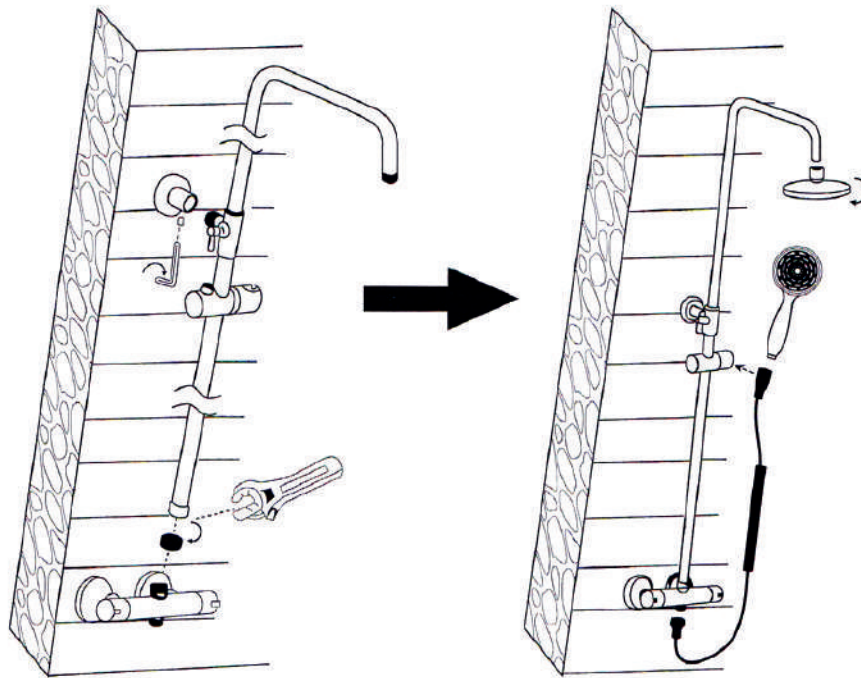
# Thermostatic Shower Kit Installation Instructions

3. Measure the installation height of the shower kit with tape. Mark two holes in require position with pen. Drill holes properly with electric drill and place the wall plugs into the holes. Fit the connector to the fixing plate and cover.

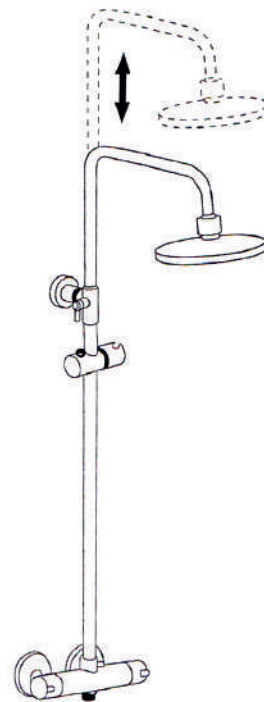


4. Align the shower valve and connector and tighten the nuts using an adjustable spanner. Fit screw to the fixing plate with allen key then secure the rail to the wall. Finally connect the headshower to flexible hose, flexible hose to the mixed water outlet, showered to the top of sliding rail.





5. Adjust the height of sliding rail suitably.
6. Turn on the water supplies and check for correct operation.



### III. After Care

1. This shower kit has a high quality finish and should be treated with care.
2. An occasional wipe with a mild washing-up liquid on a soft damp cloth followed by a thorough rinsing is all that is required.
3. Do not use an abrasive or chemical household cleaner as this may cause damage.

## Tap and Shower Lifetime Guarantee

### Terms & Conditions – (UK & Eire only)

*Please keep this information safe along with your proof of purchase*

1. The lifetime guarantee is available to customers who complete the Scudo Guarantee Registration Form Online within 30 days of installation. Please visit our website [www.scudo.co.uk](http://www.scudo.co.uk) to complete this form.
2. Proof of purchase showing the date and place of purchase must be retained by the customer as the guarantee is only available to the original purchasing customer. The benefit of the guarantee cannot be transferred to a third party. Please keep your proof of purchase safe along with this Guarantee Terms & Conditions information.
3. The guarantee only applies to products purchased and installed in the United Kingdom.
4. The guarantee covers the product against defects in materials or manufacture only and does not apply to normal wear and tear. For clarity the guarantee does not cover plastic seals, strips of runner wheels past the period of 1 year.
6. Before installation is carried out the customer must inspect the product for obvious defects. A claim will not be accepted if an obvious defect is found after installation.
7. This guarantee covers normal domestic use only.
8. This guarantee does not apply to any faults caused by wilful damage, neglect, misuse (including inappropriate cleaning\*), failure to follow recommended instructions, use in abnormal conditions, accidental breakage and other events outside of the manufacturer's control.  
  
\*See Scudo's aftercare and cleaning instructions below.
10. The guarantee does not cover any product that has been modified, altered, transformed or relocated in any way. The Guarantee will be valid only if all Scudo installation, care and maintenance instructions have been adhered to.
11. If the product is defective in materials or manufacture the original customer must contact the Scudo customer services department within **30 days of the fault occurring**. We reserve the right to inspect the product before removal or repair. We must be provided with those facilities we reasonably require to carry out a proper inspection. If a replacement product or repair is necessary, we reserve the right to replace the product or carry out the repair using our own service engineers.
12. If the fault is not resolved, the product should be returned to Scudo and at our discretion we will either refund the purchase price, or send new goods to you as a replacement. This shall constitute our sole obligation under this guarantee.
13. As our policy is one of continuous improvement, product changes may give rise to alternative products. Where an identical product is no longer available, we will supply the nearest equivalent from our current range.
14. If a claim is made under the guarantee and the defect is not due to faulty materials or manufacture, Scudo reserve the right to charge the customer for time spent by the engineer at the current hourly rate and for any replacement parts.
15. The guarantee does not cover ex-display units.
16. The guarantee is in addition to and does not affect your statutory rights.

#### Cleaning Instructions

- Do not allow lime scale to build up.
- Clean the glass regularly with soapy water.
- Do not use abrasive products on any surface.
- Install your enclosure in a well ventilated area.



# General Bathroom Product Lifetime Guarantee

Terms & Conditions – (UK & Eire only)

*Please keep this information safe along with your proof of purchase*

The lifetime guarantee is available to customers who complete the Scudo Guarantee Registration Form Online within 30 Days of installation. Please visit our website [www.scudo.co.uk](http://www.scudo.co.uk) to complete this form.

## What our warranty doesn't cover

Our warranty does not cover defects arising in respect of:

- Fair wear and tear
- Misuse or abuse
- Non-consumer use
- Failure to install or utilise the appliance in accordance with any written instructions, good plumbing practice or legislation
- Damage to wood furniture caused by standing water or inadequate room ventilation
- Electrical failure
- Moving parts or parts which are likely to perish or wear over time and normal usage (such as rubber seals, ceramic disc valves, mixer cartridges and thermostatic valves)
- Parts which do not form part of the material structure of the Scudo product
- Component failure deemed by Scudo to be due to hard or aggressive water supplies.

## How to claim under our warranty

For products under 1 year old you must first contact your place of purchase. If they deem the fault to be covered under warranty, they will contact us with a view to supplying the necessary replacement part/parts.

For products more than 1 year old please contact us direct with your proof of purchase. We will endeavour to supply the replacement part/parts required subject to exclusions. E&OE.

**THE SCUDO LIFETIME WARRANTY IS ONLY APPLICABLE IN THE UK AND ROI AND IS SUBJECT TO CERTAIN TERMS AND CONDITIONS WHICH DO NOT AFFECT YOUR STATUTORY RIGHTS.**

Note: Taps, Mixers and Shower Valve Operating Pressures - recommended pressure requirements is 0.5 Bar (unless otherwise stated)



0330 124 7290   sales@scudo.co.uk   www.scudo.co.uk

---

Scudo is a brand and trading name - owned by Harrison Bathrooms Ltd.  
Gelderd Cross Warehouse, 94 Gelderd Road, Leeds, West Yorkshire, LS12 6HJ.