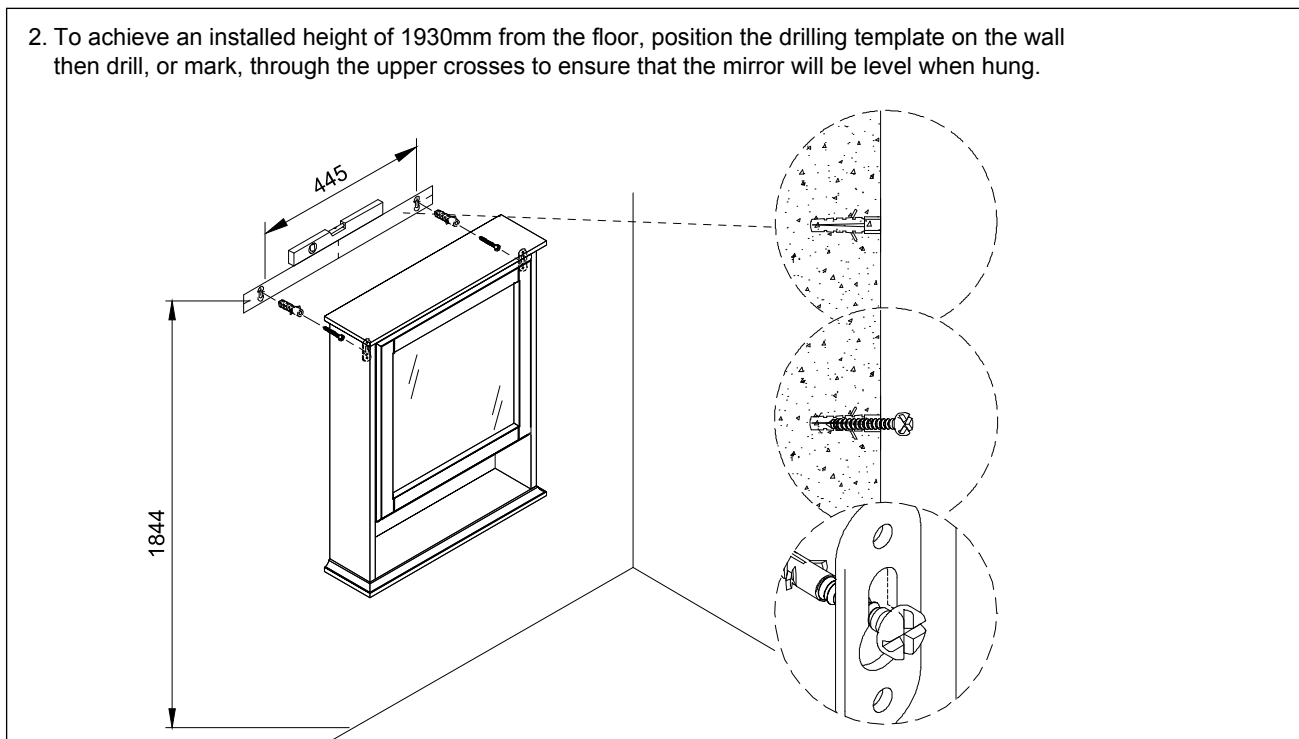
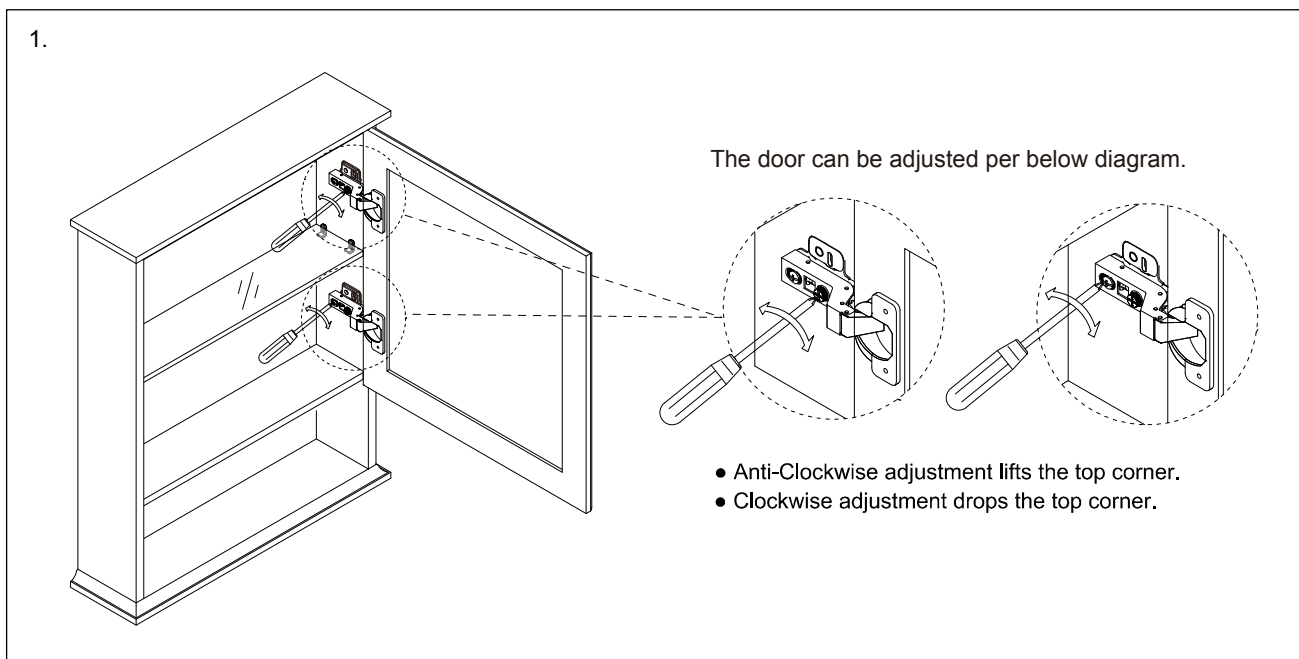
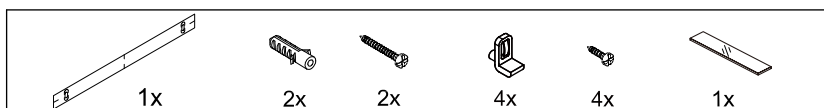


IMPORTANT: This unit must be securely fixed to a wall. Ensure that the top is horizontal before marking the wall for fixing. The wall fixings supplied may not be suitable for your installation. You may need to source alternatives depending on the material and strength of the wall you are fixing to.

Care and Maintenance: This is a wood product, and has a water resistant finish. It should not be left wet, and the quality of the finish is best maintained if it is wiped with a dry cloth after use. It should only be cleaned using a soft damp cloth followed by a dry cloth. Do not use bleach or any abrasive cleaner.

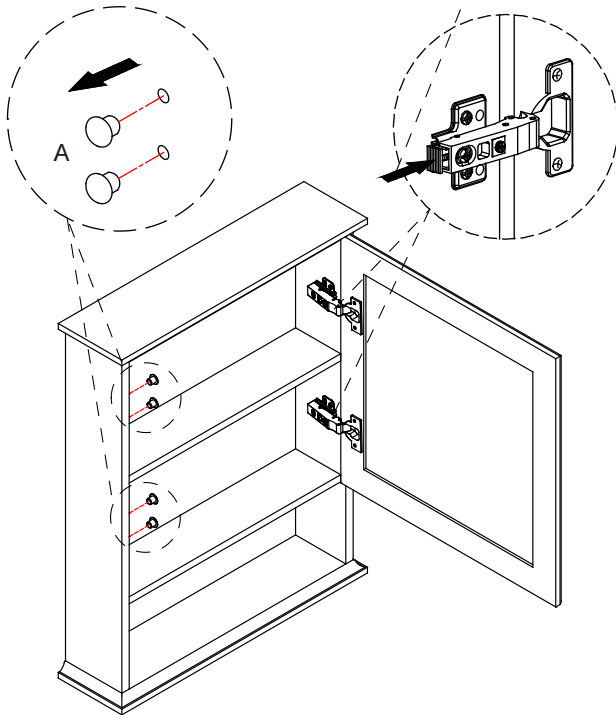
Parts Supplied:



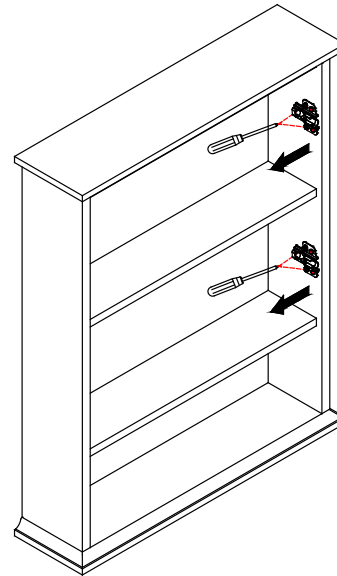
Instructions for door reversal

1. Unscrew the hinges from the carcass, and from the opposite side remove parts A.

Press the end of the hinge plate to release it from the base.

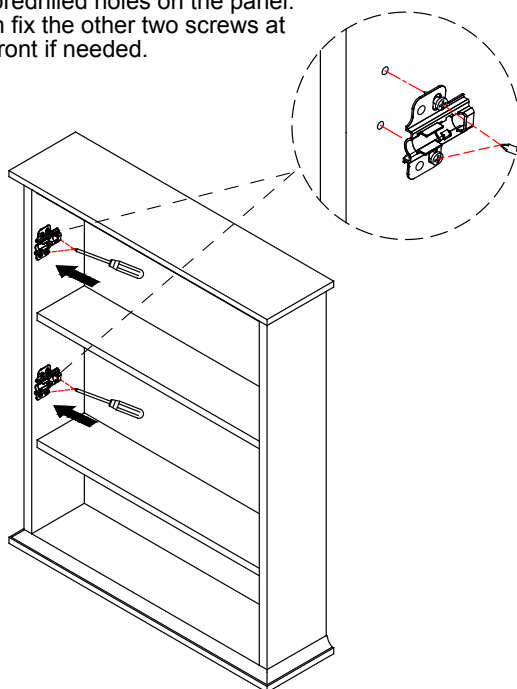


2. Unscrew the hinge base from the cabinet.



3. Attach the two hinge bases onto the opposite side panel in the right position as shown in the below diagram.

Fix the two screws at the back to the predrilled holes on the panel. Then fix the other two screws at the front if needed.



4. Reattach the door to the carcass, and insert the plug.

Press the hinge plate towards the base and click it onto the base.

