

Technical Data Sheet

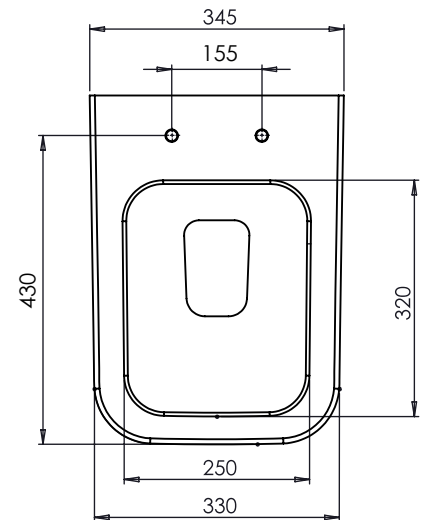
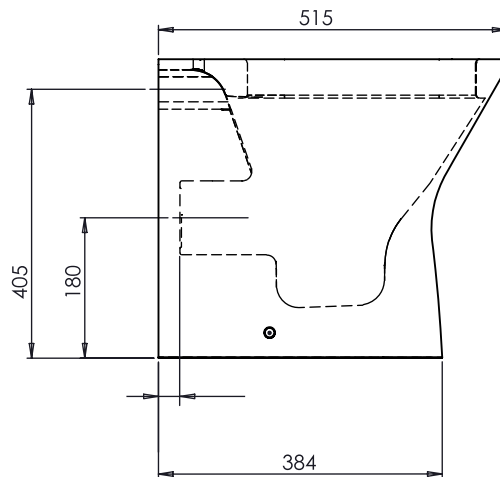
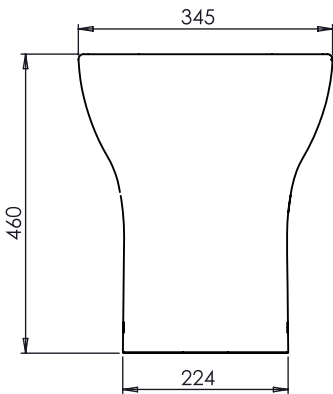
Structure
Comfort Back to Wall Pan

TAVISTOCK

No.	Description	Product Code	Fixings Included?	Gross Weight	Net Weight
1	Structure Toilet Seat	TS450S	Yes	--	--
2	Structure Comfort Back to Wall Pan	BTWC450S	Yes	--	--



All connections to meet BSEN33 Requirements



DIAGRAMS NOT TO SCALE
ALL DIMENSIONS IN MM
TOLERANCE OF ± 5 MM

FAQ

Are there any other compatible seats? **No**

Water runs into pan when flush finished.

Check valve has no debris underneath.

Does the valve open again? (If not the flush bar is draining; if it does, check flush valve is set correctly)

Has flush volume been adjusted?

TS450S Dimensions	
Seat/Lid front to back	435mm/445mm
Seat/Lid left to right	330mm/345mm
Ring hole front to back	285mm
Ring hole left to right	210mm
Seat overall thickness	47mm
Min/Max adjustment for fixings	55mm-160mm