

Technical Data Sheet

Structure
Comfort Height Open Back Close Coupled Pan

TAVISTOCK

No.	Description	Product Code	Fixings Included?	Gross Weight	Net Weight
1	Structure Cistern inc. Flush Fitting & Lid	C450S	Yes	--	--
2	Structure Toilet Seat	TS450S	Yes	--	--
3	Structure Comfort Height Open Back Close Coupled Pan	PC455S	Yes	--	--



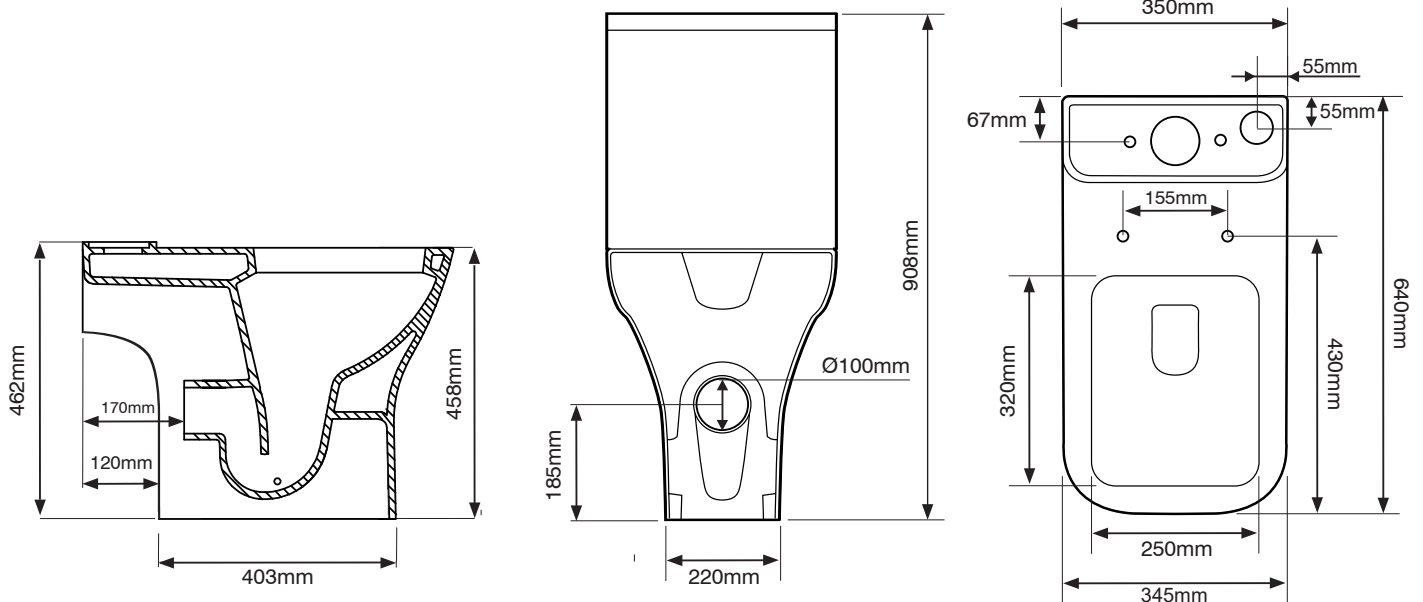
Cistern Settings

Full Flush Volume: 4.5L
Reduced Flush Volume: 3L



All connections to meet BSEN33 Requirements

DIAGRAMS NOT TO SCALE
ALL DIMENSIONS IN MM
TOLERANCE OF ± 5MM



FAQ

- What side is the inlet located? **Right hand side**
- Are there any other compatible seats? **No**
- Can this pan be used with a side connection outlet pipe? **Yes**
- Is there a rear floor brace? **No**
- The cistern lid won't shut/the cistern isn't working correctly.
Ensure the inlet and flush valves are set to the correct heights.

TS450S Dimensions	
Seat/Lid front to back	435mm/445mm
Seat/Lid left to right	330mm/345mm
Ring hole front to back	285mm
Ring hole left to right	210mm
Seat overall thickness	47mm
Min/Max adjustment for fixings	55mm-160mm