

# Technical Data Sheet

## Thermostatic Concealed Valves

# ROPER RHODES®

No.	Description	Code	Fixings Included
1	Thermostatic Dual Function Valve	SV3506	YES

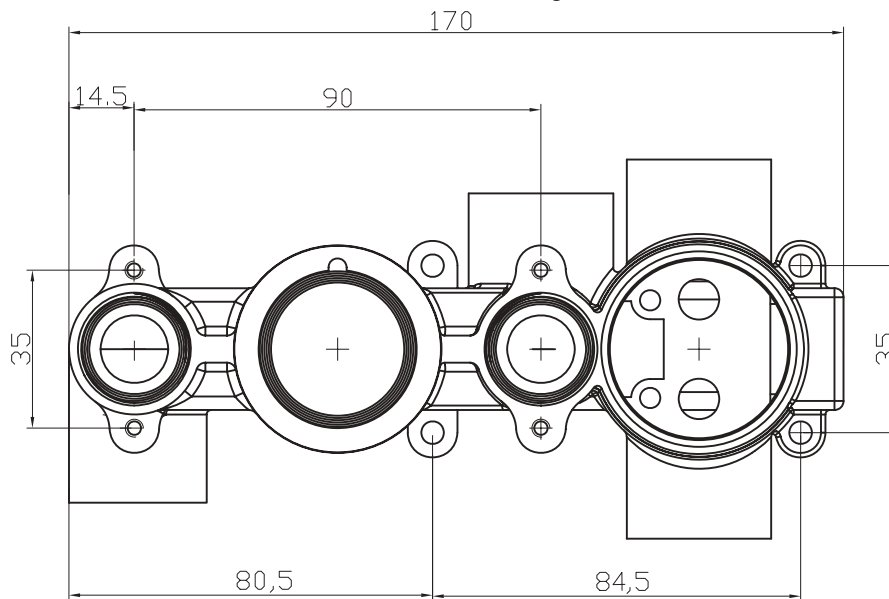


Inlet Pressure	Flow Rate (l/min)
0.3bar	12.32
0.4bar	14.23
0.5bar	15.91
1bar	22.50
2bar	31.82
3bar	35.00

Flow from valve may vary depending on accessories and domestic supply.

### Dimensions - SV3506

Diagrams not to scale. All dimensions in mm (tolerance of +/-5mm)



\*Dimensions are subject to change, customers are advised to measure actual product before commencing installation.

### FAQs

**What is included in the valve box?** The valve, a cover plate, a set of handles and trim rings.

**How many fixing holes does the valve have?** Four - two on the bottom and two on top of the valve.

**What is the size of the connections?** The valve uses 1/2" connections.