

# Technical Data Sheet

# TAVISTOCK

## Varsity Exposed Dual Function Shower Valve with Shower Head and Handset

No.	Description	Code	Fixings Included
1	Varsity Exposed Valve with Head and Handset	SVA1712	YES



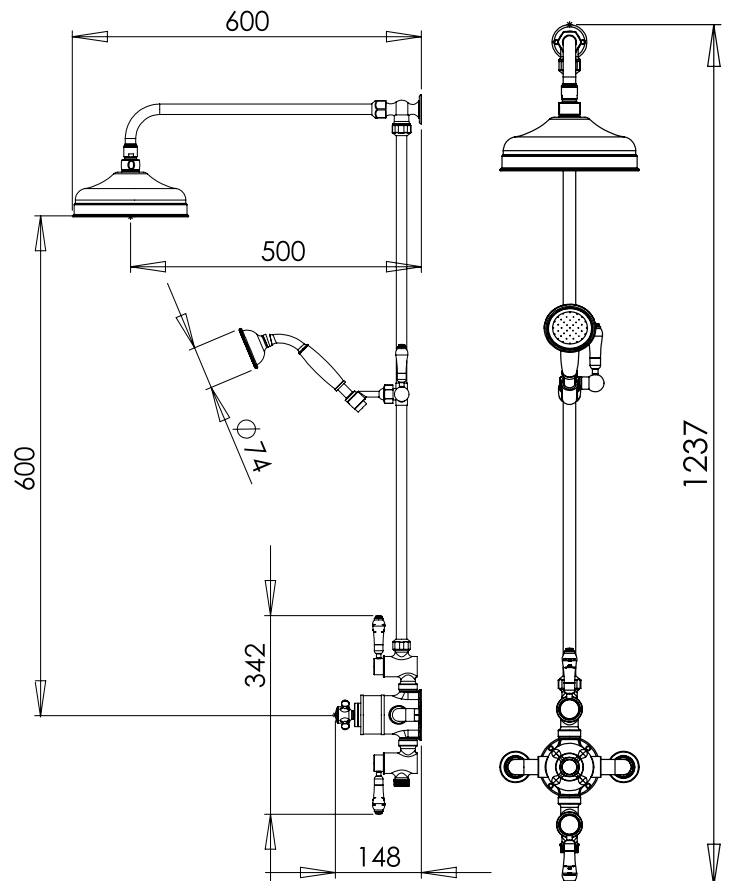
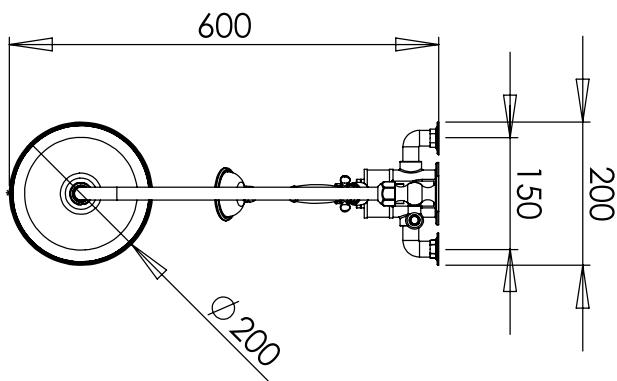
Inlet Pressure	Flow Rate (l/min)
0.5bar	8.63
1bar	12.20
2bar	17.25
3bar	17.80
4bar	24.40
5bar	27.04

Flow from valve may vary depending on accessories and domestic supply.

### Dimensions - SVA1712

Diagrams not to scale. All dimensions in mm (tolerance of +/-5mm)

\*Dimensions are subject to change, customers are advised to measure actual product before commencing installation.



Riser rail, shower arm, head and hose are all chrome plated brass.  
 Valve body is chrome plated brass.  
 The handset is