

Technical Data Sheet

Scape Shower Systems

ROPER RHODES®

No.	Description	Code	Fixings Included
1	Scape Dual Function Shower System With Shower Head & Handset	SVSET143	YES



Inlet Pressure	Flow Rate (l/min)
0.5bar	15.91
1bar	22.50
2bar	31.82
3bar	35.00
4bar	45.00
5bar	49.86

Flow from valve may vary depending on accessories and domestic supply.

Components - SVSET84

Diagrams not to scale. All dimensions in mm (tolerance of +/-5mm)

- Dual Function Thermostatic Shower Valve - SV3806
- 415mm Brass Fixed Arm - SVARM05
- 250mm Stainless Steel Shower Head - SVHEAD15
- Air-drive Single Function Shower Handset - SVHEAD28
- Brass Shower Hose - SVHOSE01
- Outlet Elbow With Shower Handset Holder - SVACS08

FAQs

How long is the shower hose? 1.5m

What is the minimum pressure for the valve? 0.3bar

What is the valve connection size? 1/2"

How long is the thread? 40mm

Technical Data Sheet

Scape Shower Systems

ROPER RHODES®

No.	Description	Code	Fixings Included
1	Scape Dual Function Shower System With Fixed Head & Riser Rail	SVSET144	YES



Inlet Pressure	Flow Rate (l/min)
0.5bar	15.91
1bar	22.50
2bar	31.82
3bar	35.00
4bar	45.00
5bar	49.86

Flow from valve may vary depending on accessories and domestic supply.

Components - SVSET85

Diagrams not to scale. All dimensions in mm (tolerance of +/-5mm)

- Dual Function Thermostatic Shower Valve - SV3806
- 415mm Brass Fixed Arm - SVARM05
- 250mm Stainless Steel Shower Head - SVHEAD15
- Air-drive Single Function Shower Handset - SVHEAD28
- Brass Shower Hose - SVHOSE01
- Riser Rail - SVRAIL03
- Wall Elbow - SVACS06

FAQs

What is the rail fixing centres? 660mm

How long is the shower hose? 1.5m

What is the minimum pressure for the valve? 0.3bar

What is the valve connection size? 1/2"

How long is the thread? 40mm

No.	Description	Code	Fixings Included
1	Scape Triple Function Shower System With Smart-flow Bath Filler	SVSET145	YES



Inlet Pressure	Flow Rate (l/min)
1bar	23.60
2bar	33.37
3bar	37.00
4bar	47.20
5bar	52.30

Flow from valve may vary depending on accessories and domestic supply.

Components - SVSET106

Diagrams not to scale. All dimensions in mm (tolerance of +/-5mm)

- Triple Function Thermostatic Shower Valve - SV3809
- 415mm Brass Fixed Arm - SVARM01
- 250mm Stainless Steel Shower Head - SVHEAD15
- Air-drive Single Function Shower Handset - SVHEAD28
- Brass Shower Hose - SVHOSE01
- Riser Rail - SVRAIL03
- Brass Wall Elbow - SVACS06
- Smartflow Bath Filler - SVACS07

FAQs

What is the rail fixing centres? 660mm

How long is the shower hose? 1.5m

What is the minimum pressure for the valve? 1bar

What is the valve connection size? 1/2"

How long is the thread? 40mm

Technical Data Sheet

Thermostatic Concealed Valves

ROPER RHODES®

No.	Description	Code	Fixings Included
1	Thermostatic Single Function Valve	SV3813	YES

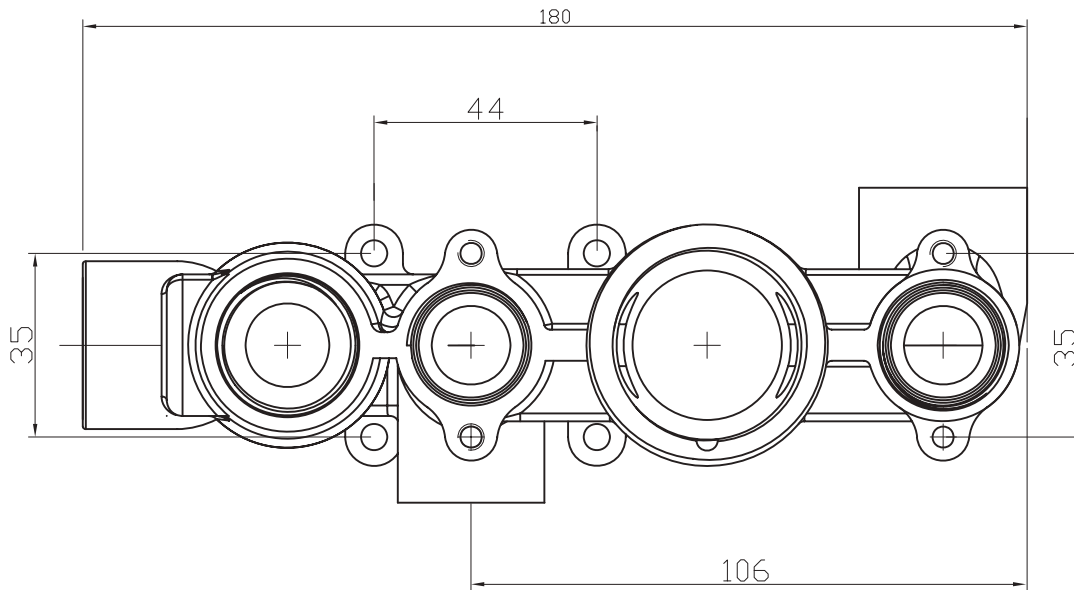


Flow from valve may vary depending on accessories and domestic supply.

Inlet Pressure	Flow Rate (l/min)
0.1bar	7.43
0.2bar	10.50
0.3bar	12.87
0.4bar	14.86
0.5bar	16.61
1bar	23.50
2bar	33.23

Dimensions - SV3813

Diagrams not to scale. All dimensions in mm (tolerance of +/-5mm)



*Dimensions are subject to change, customers are advised to measure actual product before commencing installation.

FAQs

What is included in the valve box? The valve, a cover plate, a set of handles and trim rings.

How many fixing holes does the valve have? Four - two on the bottom and two on top of the valve.

What is the size of the connections? The valve uses 3/4" connections.

Technical Data Sheet

Thermostatic Concealed Valves

ROPER RHODES®

No.	Description	Code	Fixings Included
1	Thermostatic Dual Function Valve	SV3806	YES

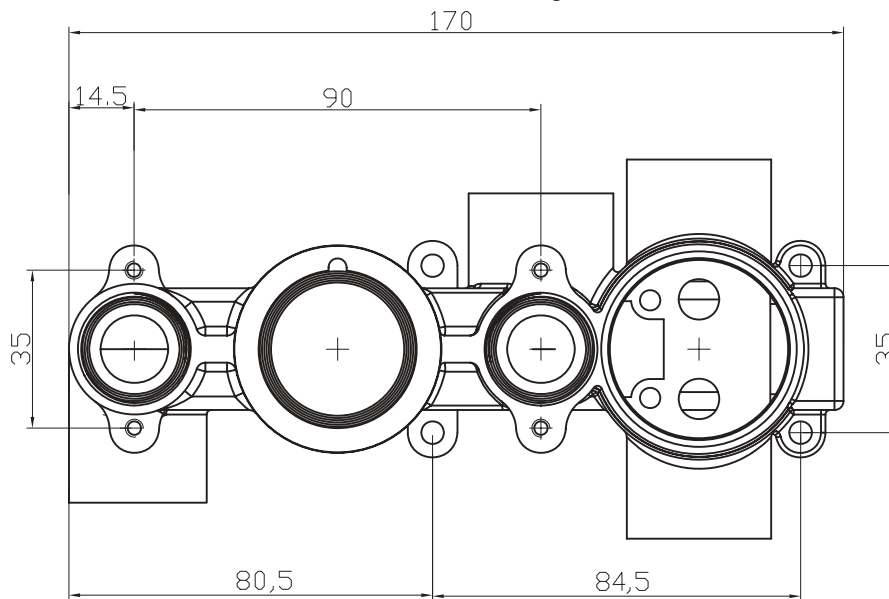


Inlet Pressure	Flow Rate (l/min)
0.3bar	12.32
0.4bar	14.23
0.5bar	15.91
1bar	22.50
2bar	31.82
3bar	35.00

Flow from valve may vary depending on accessories and domestic supply.

Dimensions - SV3806

Diagrams not to scale. All dimensions in mm (tolerance of +/-5mm)



*Dimensions are subject to change, customers are advised to measure actual product before commencing installation.

FAQs

What is included in the valve box? The valve, a cover plate, a set of handles and trim rings.

How many fixing holes does the valve have? Four - two on the bottom and two on top of the valve.

What is the size of the connections? The valve uses 1/2" connections.

Technical Data Sheet

Thermostatic Concealed Valves

ROPER RHODES®

No.	Description	Code	Fixings Included
1	Thermostatic Triple Function Valve	SV3809	YES

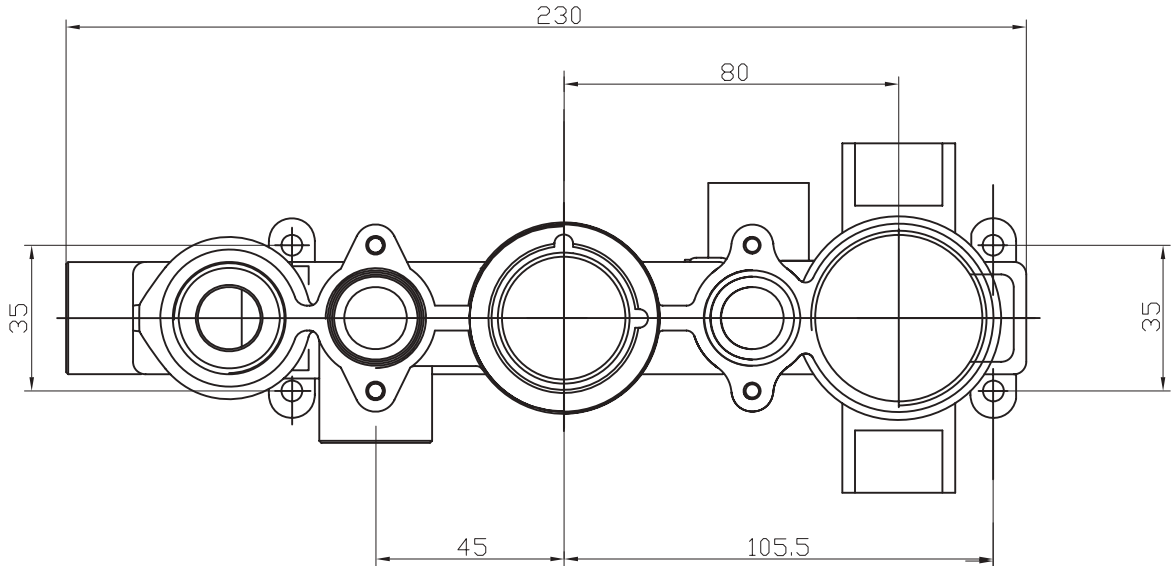


Inlet Pressure	Flow Rate (l/min)
1bar	23.60
2bar	33.37
3bar	37.00
4bar	47.20
5bar	52.30

Flow from valve may vary depending on accessories and domestic supply.

Dimensions - SV3809

Diagrams not to scale. All dimensions in mm (tolerance of +/-5mm)



*Dimensions are subject to change, customers are advised to measure actual product before commencing installation.

FAQs

What is included in the valve box? The valve, a cover plate, a set of handles and trim rings.

How many fixing holes does the valve have? Four - two on the bottom and two on top of the valve.

What is the size of the connections? The valve uses 1/2" connections.

Technical Data Sheet

Thermostatic Concealed Valves

ROPER RHODES®

No.	Description	Code	Fixings Included
1	Thermostatic Dual Function Valve With Outlet	SV3811	YES
2	Thermostatic Dual Function Valve With Handset Outlet	SV3812	YES

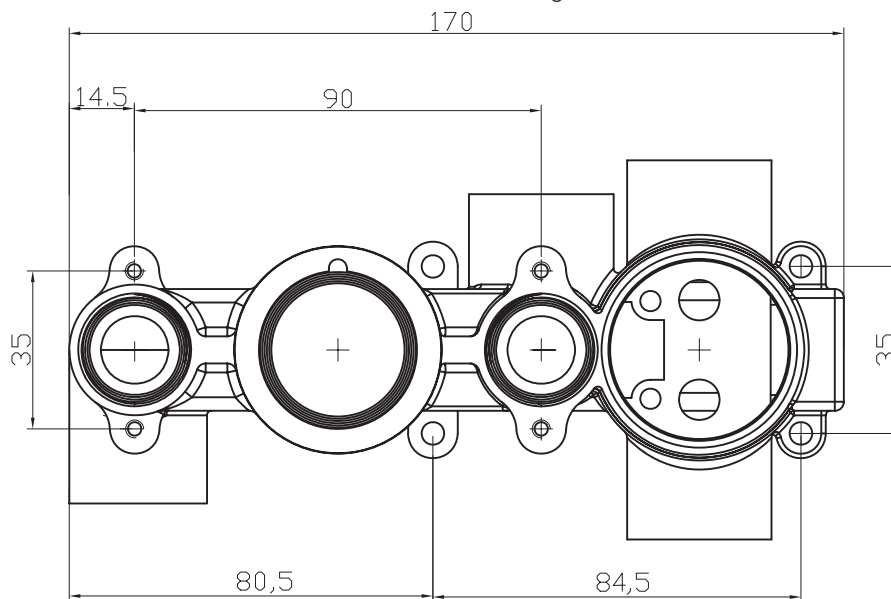


Inlet Pressure	Flow Rate (l/min)
0.3bar	12.32
0.4bar	14.23
0.5bar	15.91
1bar	22.50
2bar	31.82
3bar	35.00

Flow from valve may vary depending on accessories and domestic supply.

Dimensions - SV3811 / SV3812

Diagrams not to scale. All dimensions in mm (tolerance of +/-5mm)



*Dimensions are subject to change, customers are advised to measure actual product before commencing installation.

FAQs

What is included in the valve box? The valve, a cover plate, a set of handles and trim rings.

How many fixing holes does the valve have? Four - two on the bottom and two on top of the valve.

What is the size of the connections? The valve uses 1/2" connections.