



## Easy Fit Fixture Installation Instructions

### GENERAL GUIDELINES FOR TAP INSTALLATION AND CARE INSTRUCTIONS

Before commencing to install the taps, please read all the following instructions carefully. Failure to observe these guidelines could invalidate the warranty on the product.

It is important for optimum performance of the tap that the hot and cold water supplies are balanced.

Local water authority regulations require that isolating valves are fitted in the pipe work beneath the tap to allow the tap to be individually isolated. This makes the servicing or replacement of the tap much easier. **Any warranty claim on the tap will be handled on the basis that isolating valves have been fitted.**

Bath panels **MUST** be installed so that they can be removed to allow servicing/replacement of the tap and must **NOT** be tiled in. The panel must be installed **AFTER** all tiling has been completed.

Basin wastes should be installed with a bead of silicone to ensure a watertight seal and the rubber washer fitted before the nut. Do **NOT** over tighten the nut, this could damage the basin and invalidate the warranty.

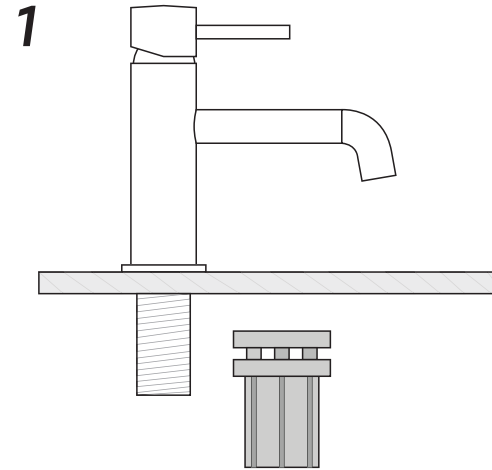
Basin wastes may be supplied with rubber washers and it is recommended that where washers are supplied, a small bead of silicone is also applied to both sides of the bath before the nut is fitted and tightened. Do **NOT** over tighten the nut as this could damage the bath and invalidate the warranty.

Where flexi tails are supplied, it is essential that they are **NOT** overtightened.

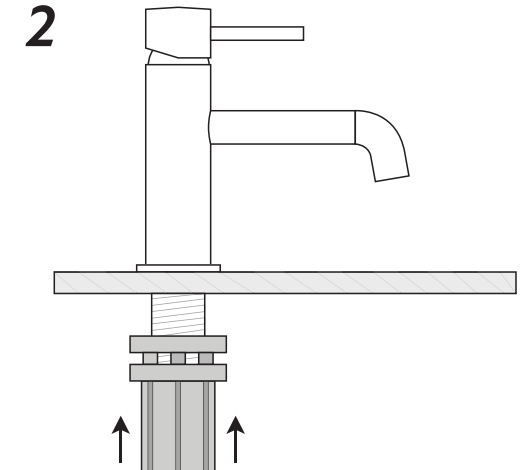
Once the tap has been installed, the water supply should be turned on and the whole installation thoroughly checked for leaks. It is **ESSENTIAL** that the system is thoroughly flushed to removed any debris or foreign matter which could become lodged under the valve seat and cause dripping or premature failure.

It is important that tile grout or any aggressive cleaners do not come into contact with the tap and cleaning should be with warm soapy water and the tap thoroughly dried after cleaning.

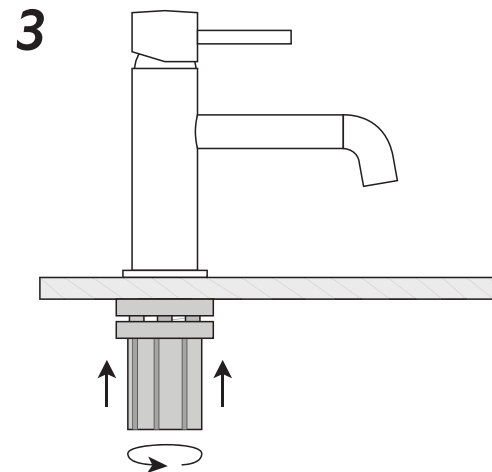
Do not exceed the recommended maximum 5 Bar pressure.



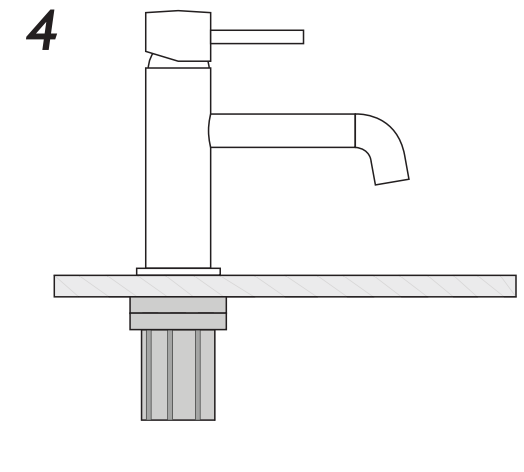
1 Insert tap into position and hold firm.



2 Slide Easy Fit Fixture onto **\*\*tap end\*\*** until top of the fixture touches the basin.



3 Push and twist clockwise to tighten. The gap will begin to close.



4 Once gap is closed and tap is firmly secured, the installation is complete. Do not over tighten.