

Seat Tray Fitting Instructions

Parts Supplied List

- 1 x Tray
- 2 x Panels (1LH / 1RH)
- 6 x Panel Clips
- 16 x Screws (No 6x5/8)
- 2 x Jack Legs
- 1 x Shower Waste

CE

15

EN 14527 - CL1

Important please check that

- **Fitting the tray is acceptance of quality. Prior to installing the tray, remove packaging & carefully inspect the surface for imperfections or damage. No liability for damage can be accepted after the tray has been fitted.**
- Only neutral mould resistant silicone should be used. Any Other type of sealant can damage the tray
- The site is big enough for the tray and subsequent enclosure.
- The sitting of the tray is in a 90 degree corner or alcove.
- Please check the tray height as there are manufacturing tolerance that must be allowed for.
- No leg riser kit is offered with this product, so if installing with waste fittings above floor level. A sculpture timber platform can be built and 3/4" marine ply wood must be used on the surface.

NOTE:

**WHERE A TRAY HAS BEEN INSTALLED CONTRARY TO THESE INSTRUCTIONS
NO LIABILITY CAN BE ACCEPTED FOR ANY LOSS OR DAMAGE HOWEVER CAUSED.**

Maintenance

The tray can be maintained as good as new by following these guidelines.

- 1) Dry out the tray fully after every use to avoid the build up of lime scale and soap residue.
- 2) Clean the tray out regularly with a damp cloth or sponge followed by a soft dry cloth.
- 3) Occasionally use a non-abrasive cleaner to remove any stubborn stains.

Customer Guarantee

We guarantee this product against faulty material or manufacture provided it has been installed, used and maintained in accordance with the manufacturers instructions.

Should a claim arise we will request the following:-

- 1) Proof of purchase
- 2) The product has been fitted/installed in accordance with the fitting instructions.
- 3) The product has been maintained and cared for in accordance with our instructions. If in our opinion the product has been modified, misused, neglected or damaged, we cannot accept any responsibility for failure

Warranty: Limitations

- a) The company warrants that its products will be free of any manufacturing related defect throughout the warranty period. If a product fails within this period as a result of a manufacturing defect then it will agree to either; repair, replace or refund the purchase price of the goods. Where the fault or defect is of a result of defective materials and or services (i.e. installation) supplied by a 3rd party then the purchasers only remedy is against that 3rd party.

Any claim made under the product warranty shall in all circumstances be limited to the repair, replacement or refund of the purchase price. The company shall not in any circumstances be responsible for damages, expenses, compensation, losses or other liabilities however incurred.

- b) Where the company is requested to attend site to inspect allegedly defective goods and it determines that the goods are not subject to a valid warranty claim, then it reserves the right to make a reasonable charge in respect of that visit.
- c) Water retention. You may notice drops of water will be left in the seat and standing area, this is normal water retention and nothing unusual. Please wipe these areas dry after use.

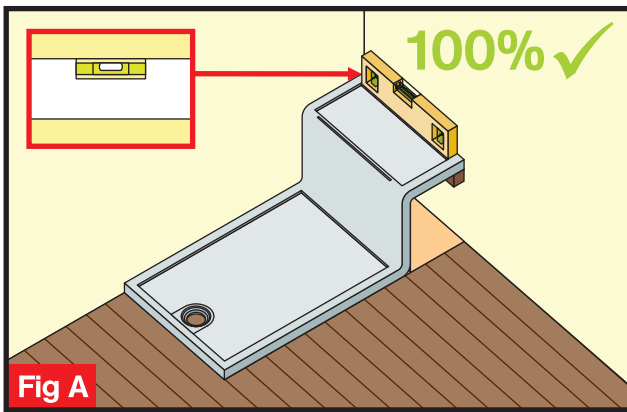


Fig A

1. SITE PREPARATION

The floor must be of a solid construction, level and free from any loose or uneven surface material. Remove any floor coverings from under the immediate area that the tray will occupy. i.e. carpet, lino etc. If floorboards are present these can be removed and replaced with 3/4" Marine Ply. This gives a level surface to work from.

2. TRAY POSITIONING

Fit the legs (supplied) 200mm in from each side and the seat end back edge. Fix to underside of seat using screws provided. Place the tray into position and mark on the floor the position of the waste hole. Level the back of the seat (use adjustable legs to assist) and scribe a line on the wall under the seat rim (see fig A). Remove tray and fit wooden batten (not supplied) to the wall as support. (see fig B). PLACE TRAY BACK INTO POSITION AND TRY THE GLASS PANEL(S) SUPPLIED TO ENSURE A GOOD FIT.

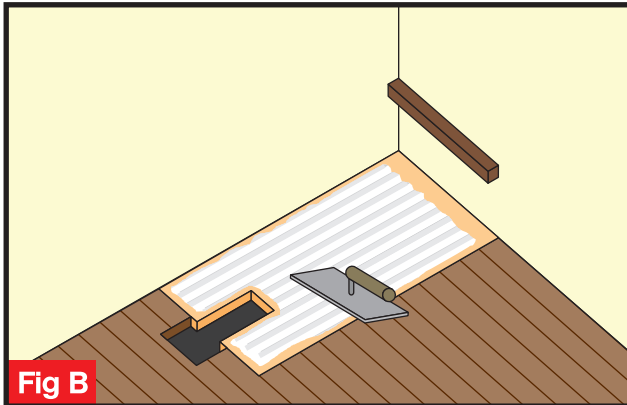


Fig B

3. INSTALL PLUMBING

Provide an appropriate access / recess in the floor surface and fit the waste plumbing. Ensure there is sufficient access from the front of the floor recess to allow the waste trap to be connected to the plumbing when the tray is in position. (see fig B). Remove tray.

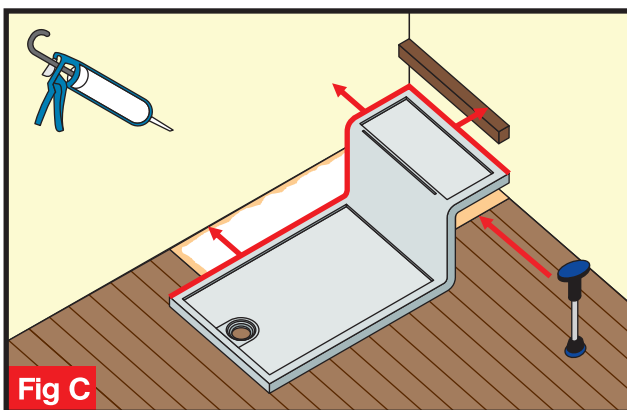


Fig C

4. INSTALL TRAY

Lay weak 5:1 sand and cement mix on the floor surface under the standing area of the tray. Ensure adequate mortar distribution under the tray (min 5mm at waste end and 25mm where seat starts). You can then back fill where access under the seat where there is access to make sure distribution is fine. Apply a large bead of silicone sealant just below the top edge of the tray on sides to come into contact with the walls. Set the tray firmly in the sand and cement and push up against the walls and rims are back in contact with the floor, making sure indicated surfaces are level using a suitable spirit level. (see fig D). PLEASE RE-CHECK GLASS PANELS ON TRAY FOR GOOD FIT.

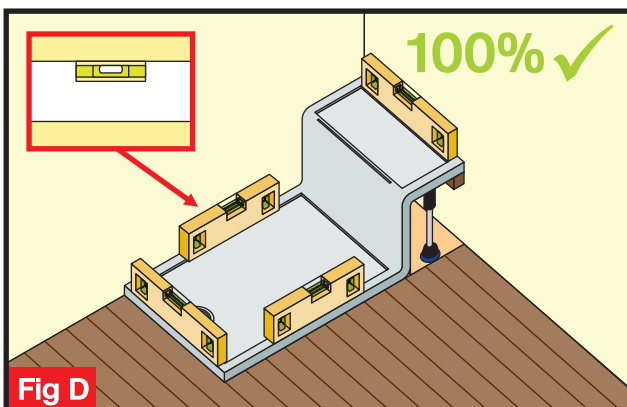


Fig D

5. SEAL THE TRAY

Run a further bead of Silicone sealant to neatly finish the appearance of the product. Ensure the tray is firmly fixed and that there is no movement. Leave the tray to cure for 24 hours before tiling the walls.

6. Fit panel clips to the wooden blocks under the rim allowing them to protrude 3mm over the front edge. The clip also acts as a stop for the panel when pushed in. 2 extra panel clips are supplied to fix to the floor for the base of the panel. (see Fig E).

7. Select the correct end panel noticing that one of the corners on each panel has a different radii. Depending on individual installations end panels may need to be trimmed to suit tiles etc.

8. Locate the panel in the spring clips and push gently home.

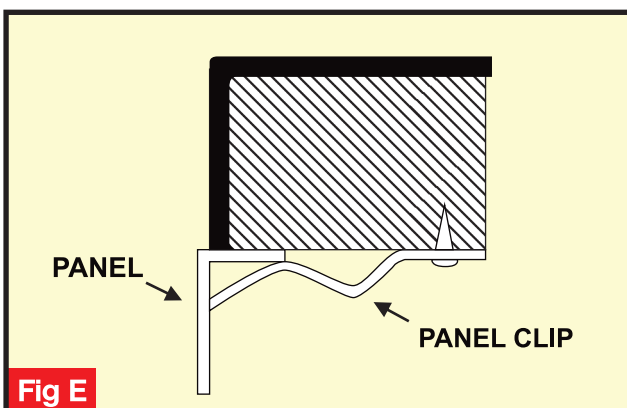


Fig E