

MERLYN

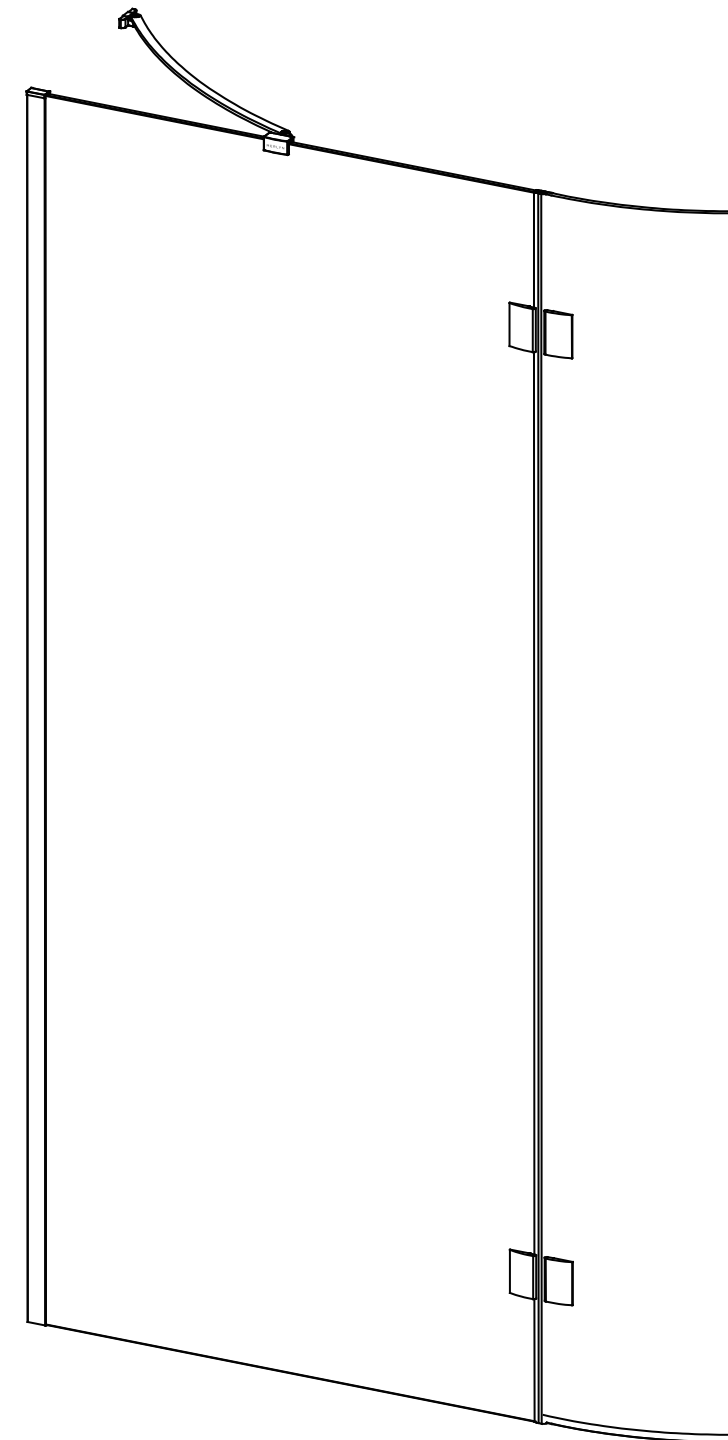
MERLYN

| | |
|--|--------|
| CE | |
| Merlyn Industries Ltd (MER13) | |
| CES8HS1.1 | |
| 19 | |
| EN 14428 | |
| Shower enclosures with aluminium profiles and safety glass | |
| Cleanability | : Pass |
| Impact resistance/ shatter properties | : Pass |
| Durability | : Pass |

To download the Declaration of Performance (DOP) for this product please use the link below.

<http://merlynshowering.com/aftersales-support/dop-certs/>

For further information please contact IRL: 056 7791 555, UK: 08081011429



Installation Guide

IMPORTANT:
Please read the complete instructions
before commencing fitting.

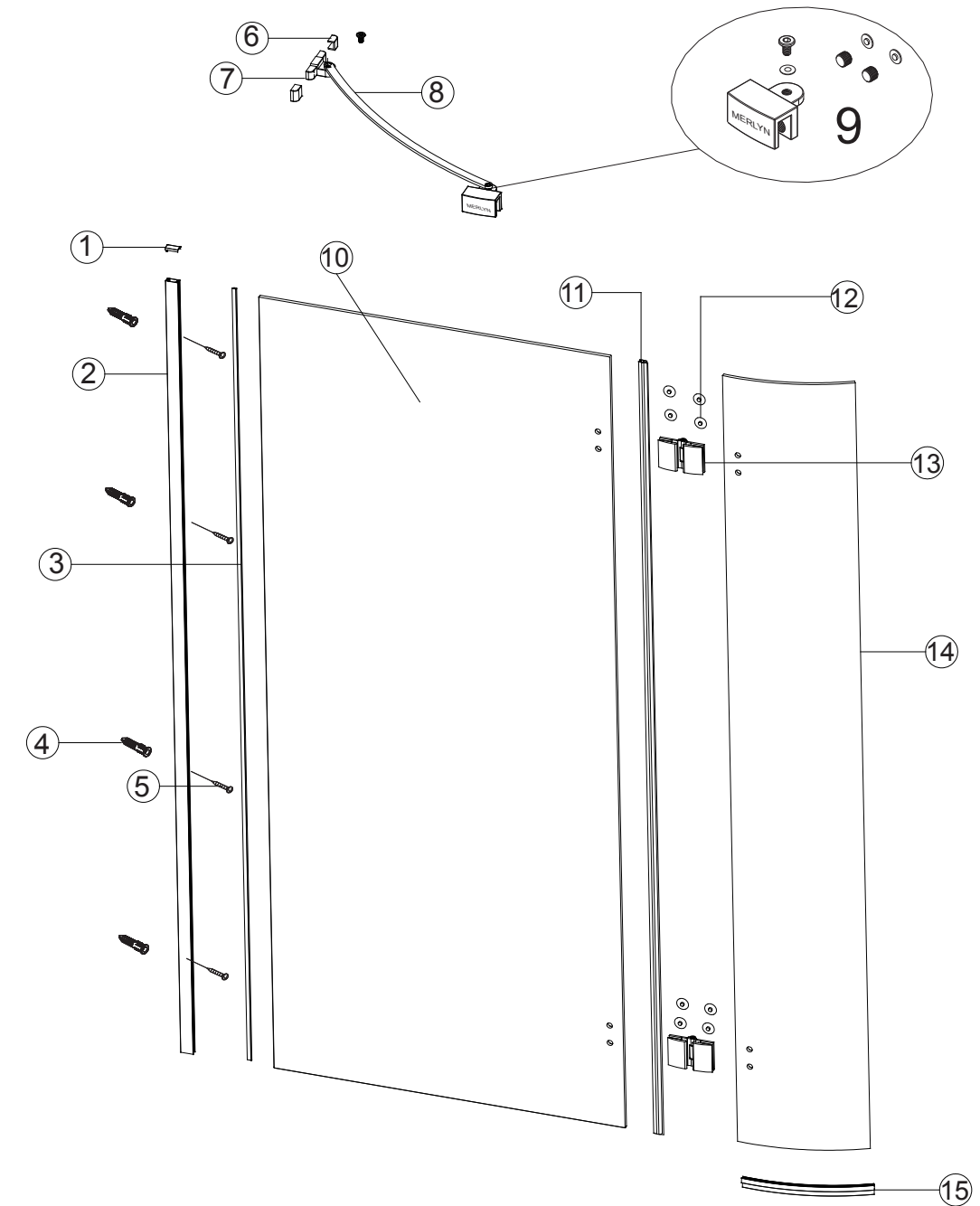
Make sure the tray is 100% level in all directions.
 Do Not attempt to install the product unless you can tick all 4 boxes satisfactory.

- **Check that you have the tools required**
- **Check the installation site is compatible with the sizes of door supplied**
- **Check all the enclosure components are present**
- **Check the installation kit is complete**

The wall plugs supplied with the installation kit are for use in solid walls. Hollow or 'stud partition' walls will require alternative fixings. Please consult a hardware supplier for the correct type.

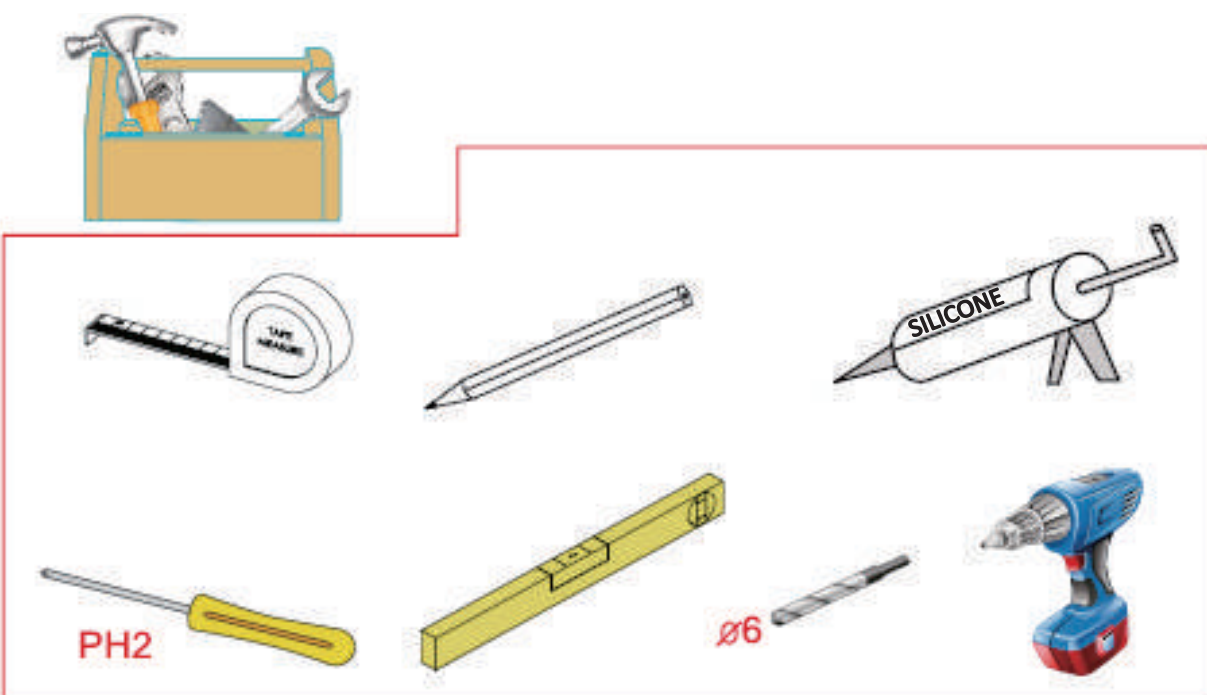
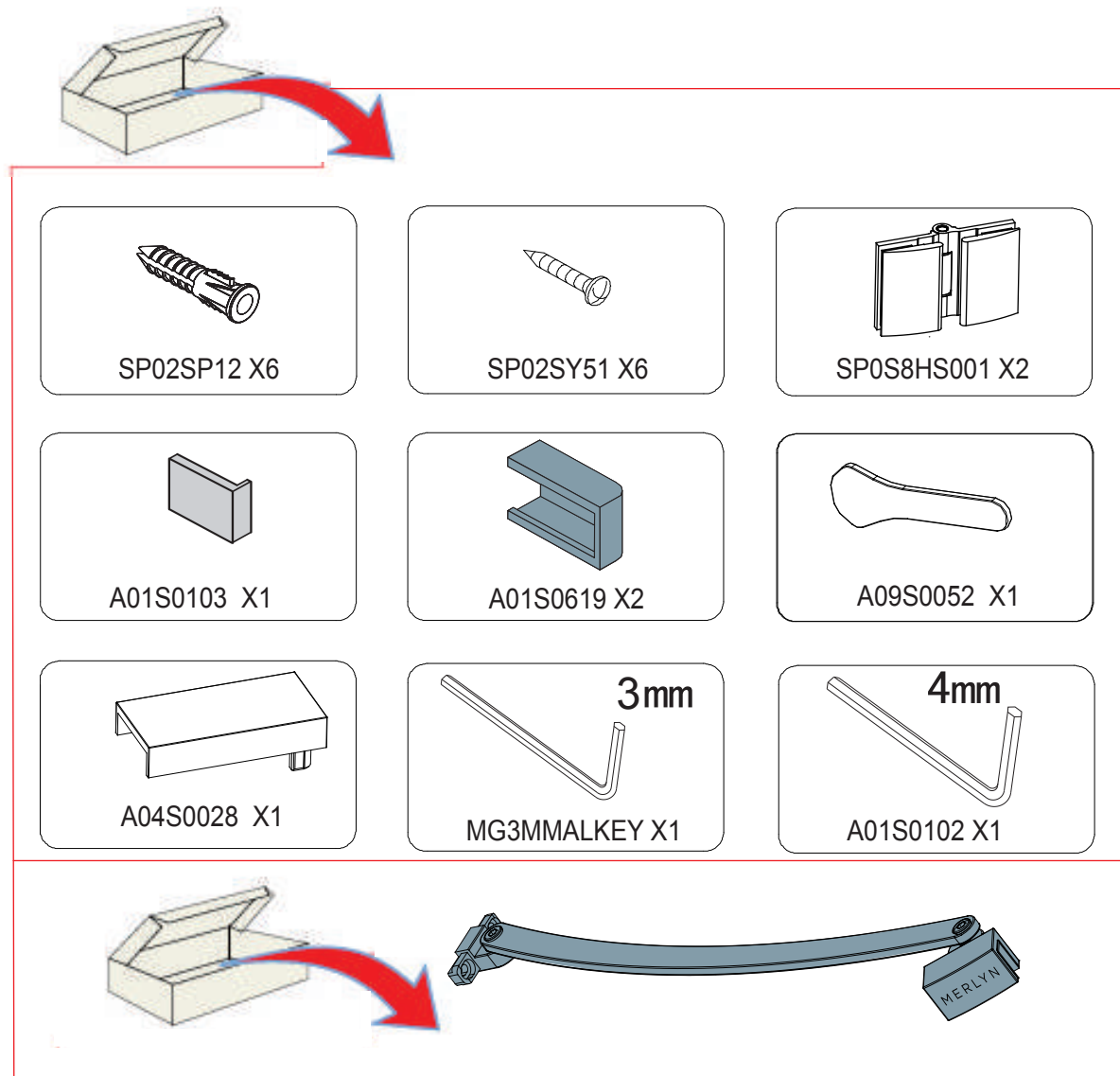
It may also be necessary to consult your tiling supplier about the correct method for drilling tiles.

ATTENTION: TAKE EXTREME CARE WHEN HANDLING GLASS, WEAR PROTECTIVE EYEWEAR AND CLOTHING. DO NOT LEAVE THE GLASS ON HARD SURFACES AND AVOID CONTACT BETWEEN THE GLASS EDGES AND HARD SURFACES OR IMPACTS DURING THE INSTALLATION.



| No. | Qty | Description | Part No. | No. | Qty | Description | Part No. |
|-----|-----|------------------------|----------|-----|-----|-------------------|------------|
| ① | 1 | Wall profile cover cap | A04S0028 | ⑨ | 1 | Bracing bar clamp | A01S0617 |
| ② | 1 | Wall profile | A04S0027 | ⑩ | 1 | Shower wall panel | C |
| ③ | 1 | Wall profile seal | A04S0016 | ⑪ | 1 | Upright seal | SP0S8HS003 |
| ④ | 6 | Wall plug | SP02SP12 | ⑫ | 8 | Hinge cover cap | SP0D2019 |
| ⑤ | 6 | Pan head screw 4X30 | SP02SY51 | ⑬ | 2 | Hinge | SP0S8HS001 |
| ⑥ | 2 | Bracing bar cover cap | A01S0619 | ⑭ | 1 | Moving panel | B |
| ⑦ | 1 | Wall bracket | A01S0618 | ⑮ | 1 | Bottom seal | SP0S8HS002 |
| ⑧ | 1 | Bracing bar | A | | | | |

MERLYN



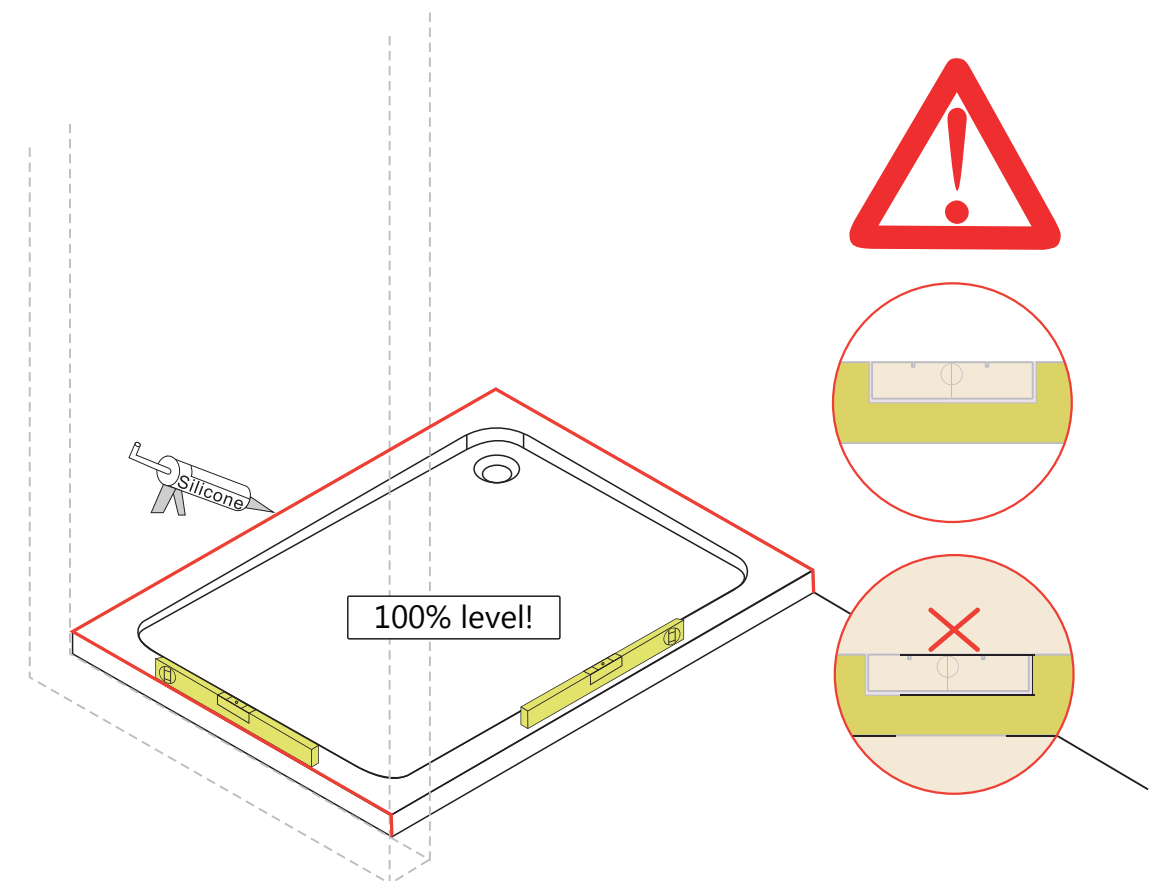
4.

MERLYN

Ensure the shower tray is level in all directions and is properly sealed to the wall. The wall must be tiled down to the top edge of the tray.

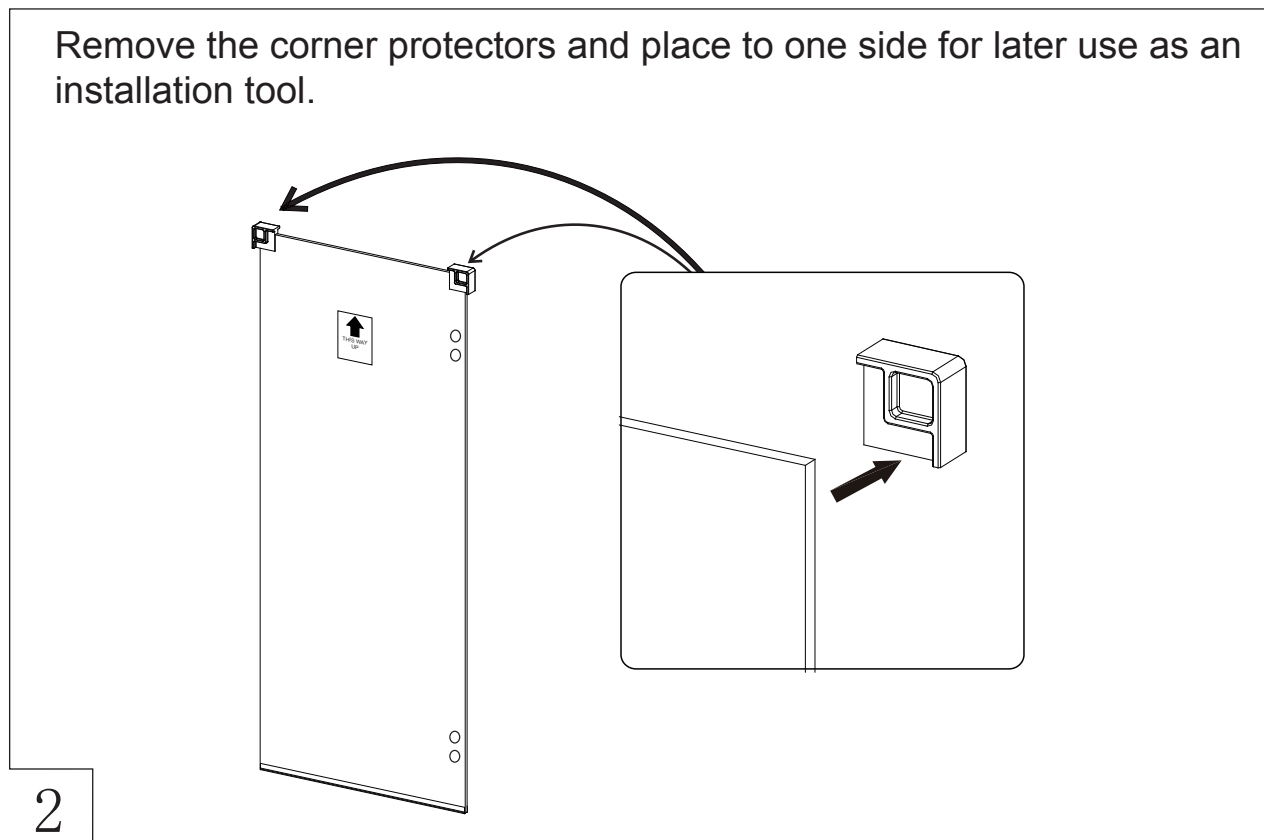
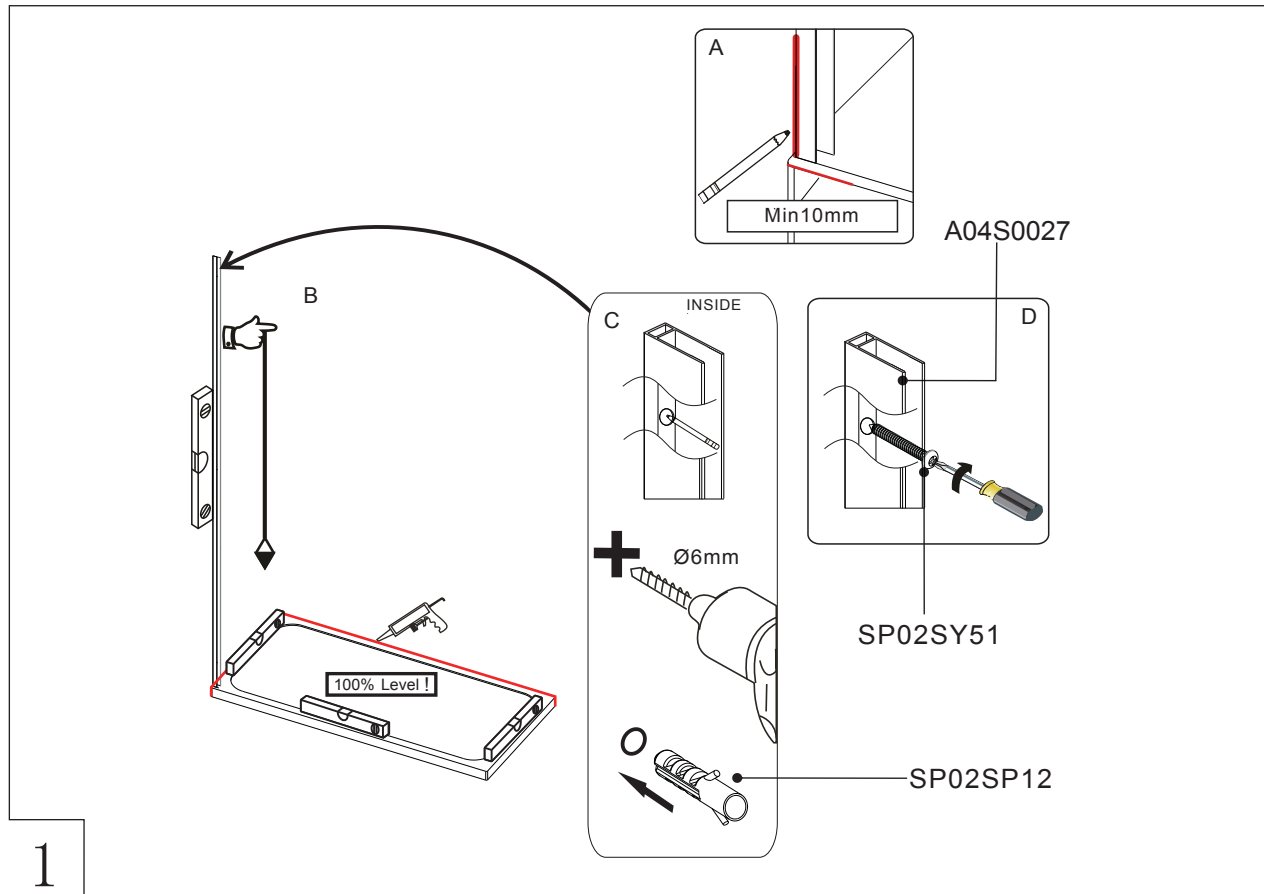
Do not angle out bottom tile.
TRAY MUST BE LEVEL IN ALL DIRECTIONS!

TRAY MUST BE SEALED FULLY AROUND WHERE THE TRAY MEETS THE WALL.



5.

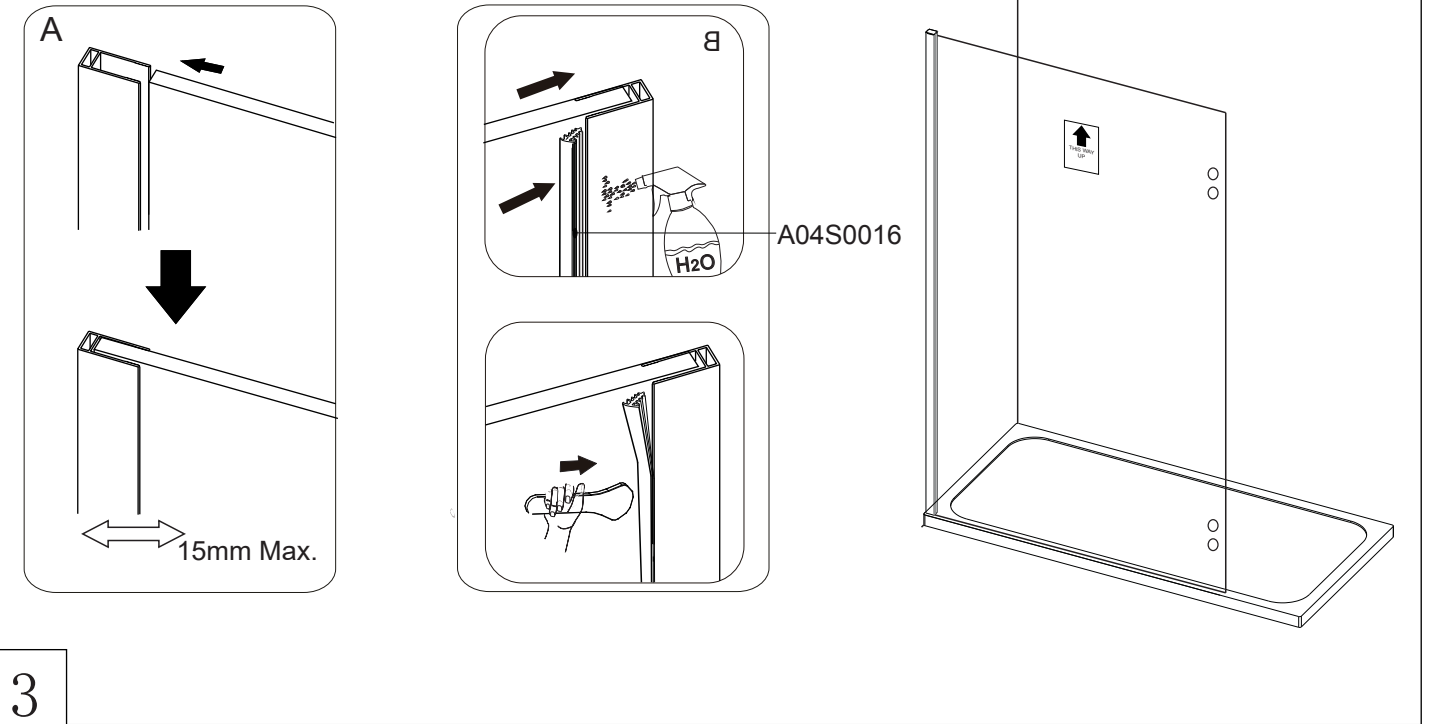
MERLYN



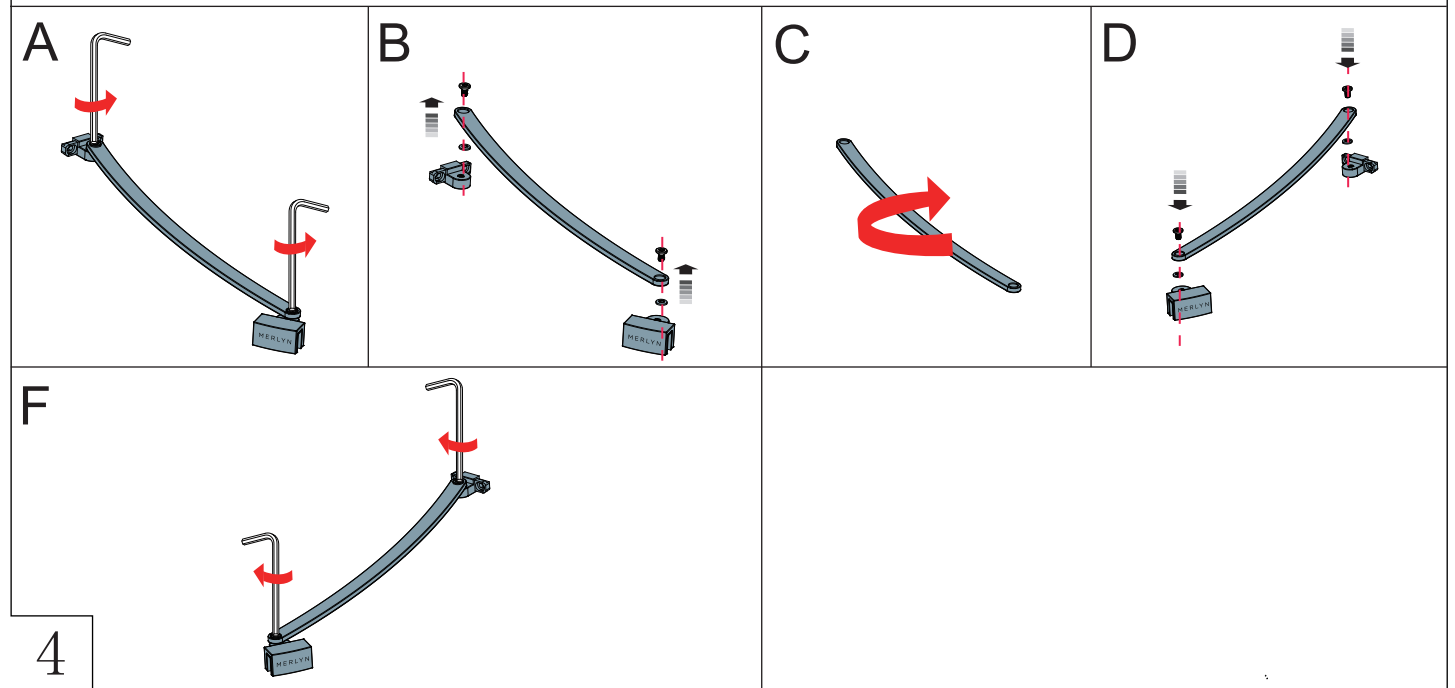
6.

MERLYN

The wall profile will compensate for out of true walls up to 15mm. Slide the glass into the profile as far as possible while ensuring the vertical edge of the panel is plumb.



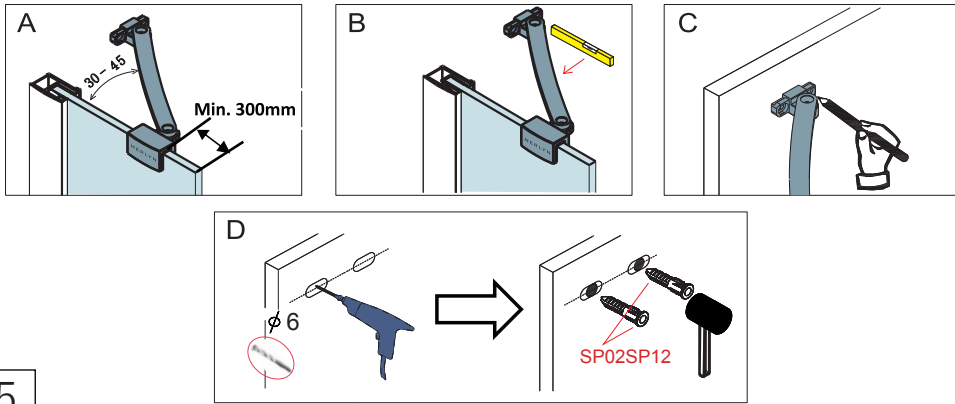
Note: Assembled for left hand configuration. To change to right hand follow steps below.



7.

MERLYN

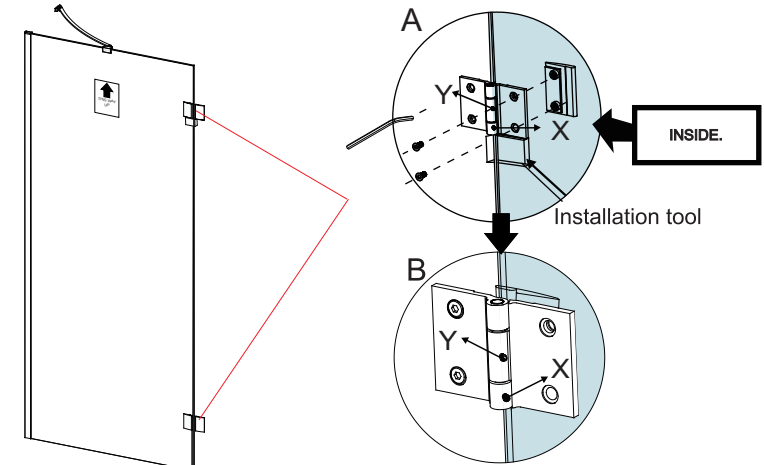
- A. Position the bracing bar on the glass and against the wall. Make sure the bracing bar clamp is a minimum of 300mm from the edge and between 30-45 degrees to the glass.
- B. Level the bar.
- C. Mark the wall through the bracket.
- D. Drill the holes and insert the wall plugs.



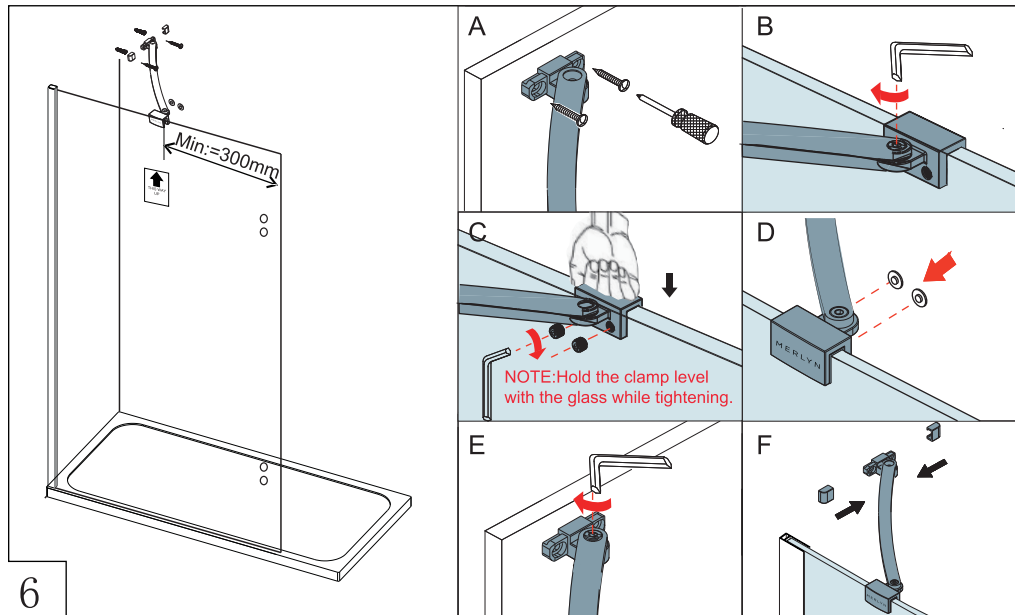
5

MERLYN

- Fit the hinge leaf(X) with the grub screw to the top or bottom on the flat shower wall panel. The leaf(Y) with the grub screw in the centre will be fitted to the curved glass panel. Use the clear plastic installation tool to square the hinges.

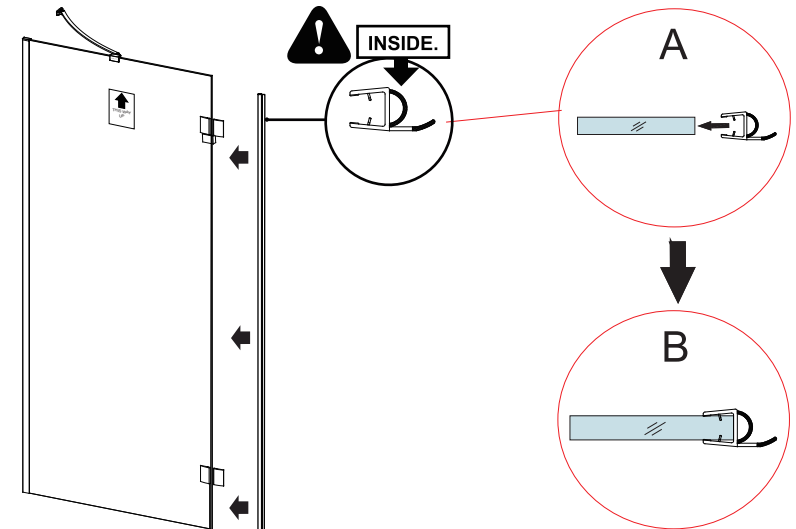


7



8.

- Fit the upright seal ensuring the soft fin is on the outside.

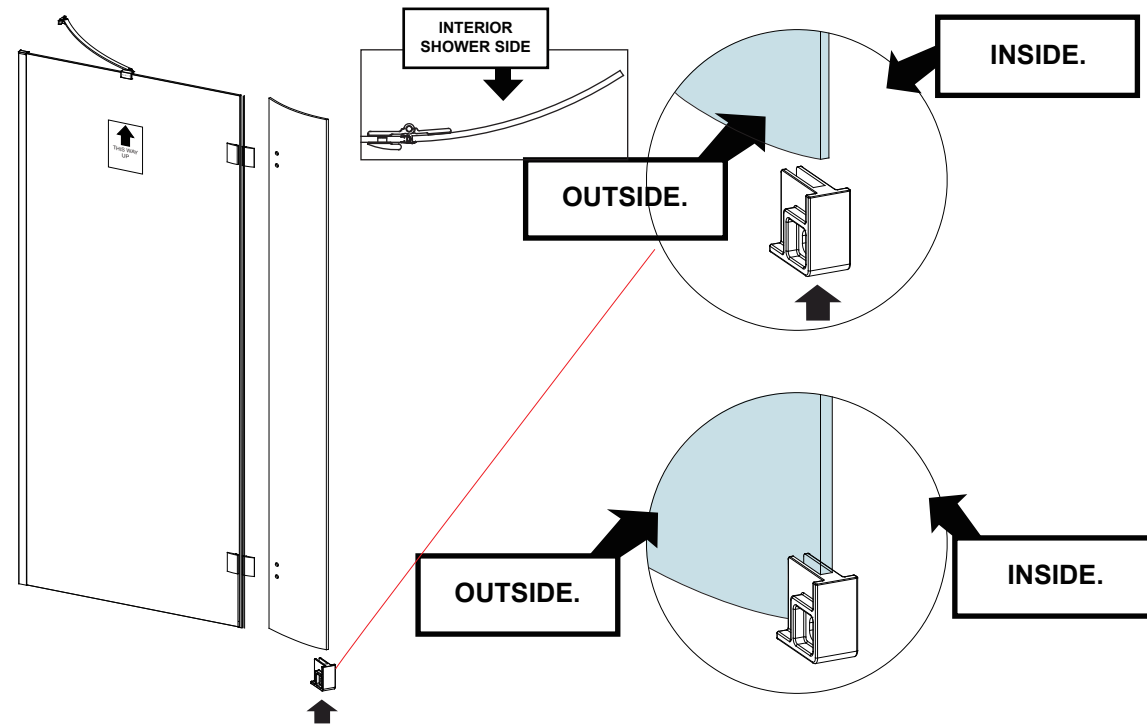


8

9.

MERLYN

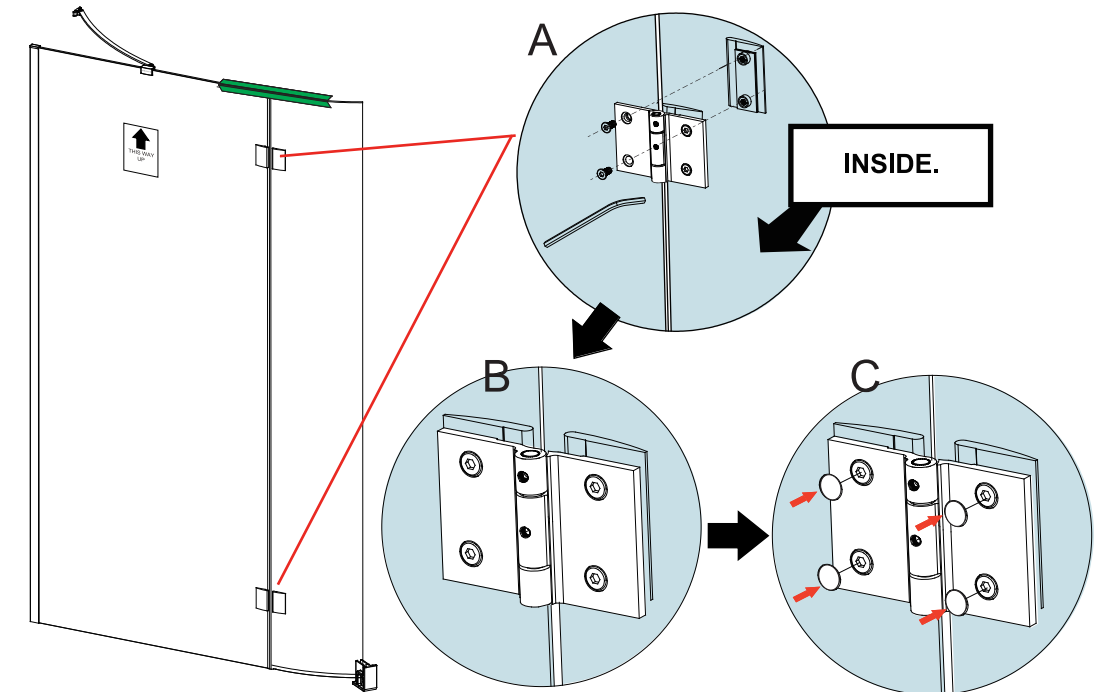
Fit the corner protector to the moving panel to set door at the approx. height.



9

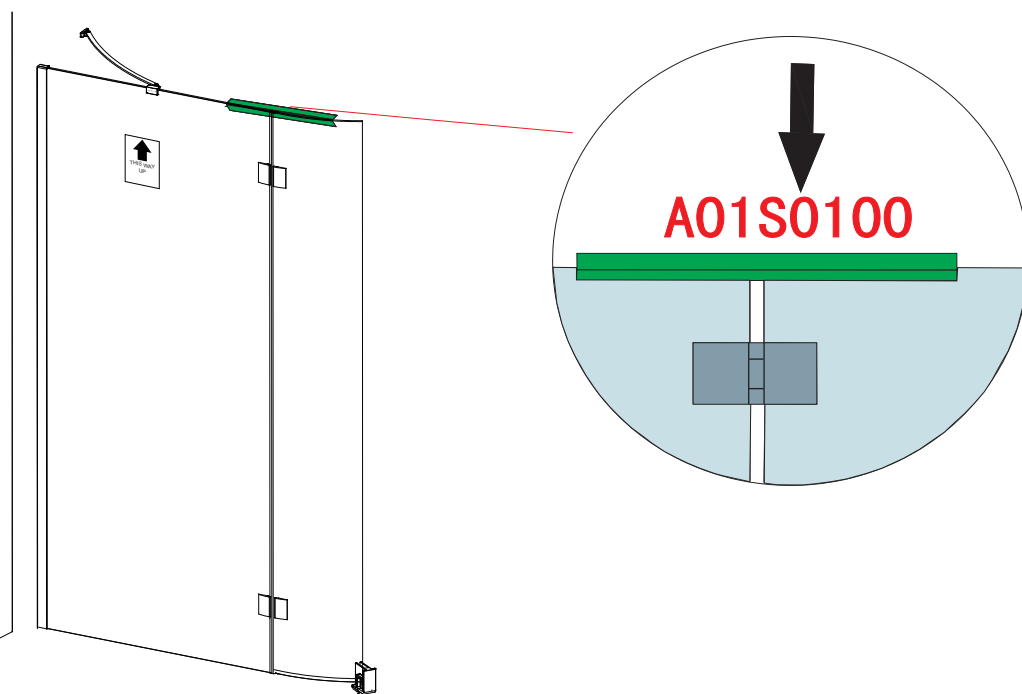
MERLYN

Make sure the panels are flush on top and there is an even gap between the panels from top to bottom. Fully tighten the remaining outer hinge plate and fit the cover caps.



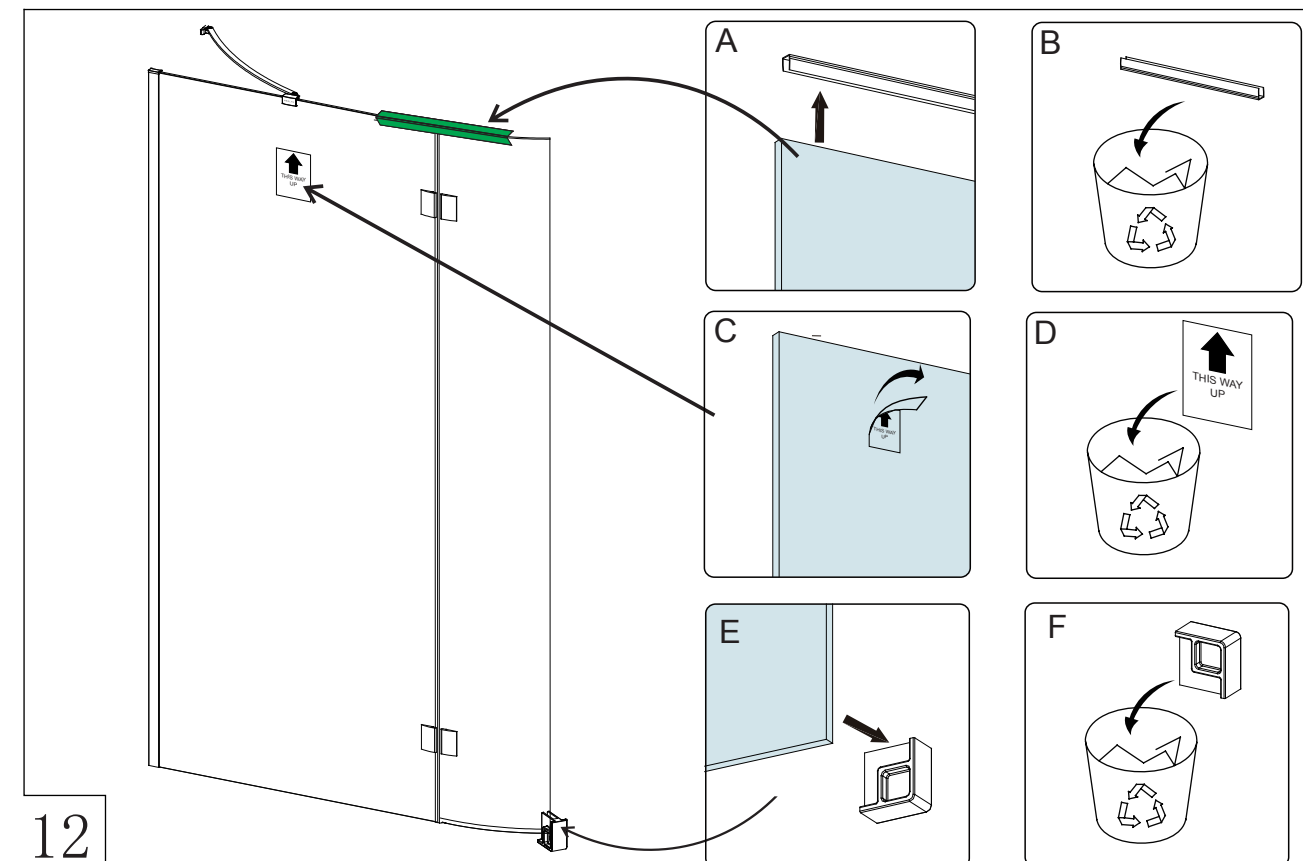
11

Place the holding seal across the two panels. Make sure to slide it fully over the edges of the panels to secure in position while the hinge installation is completed.



10

10.



12

11.

