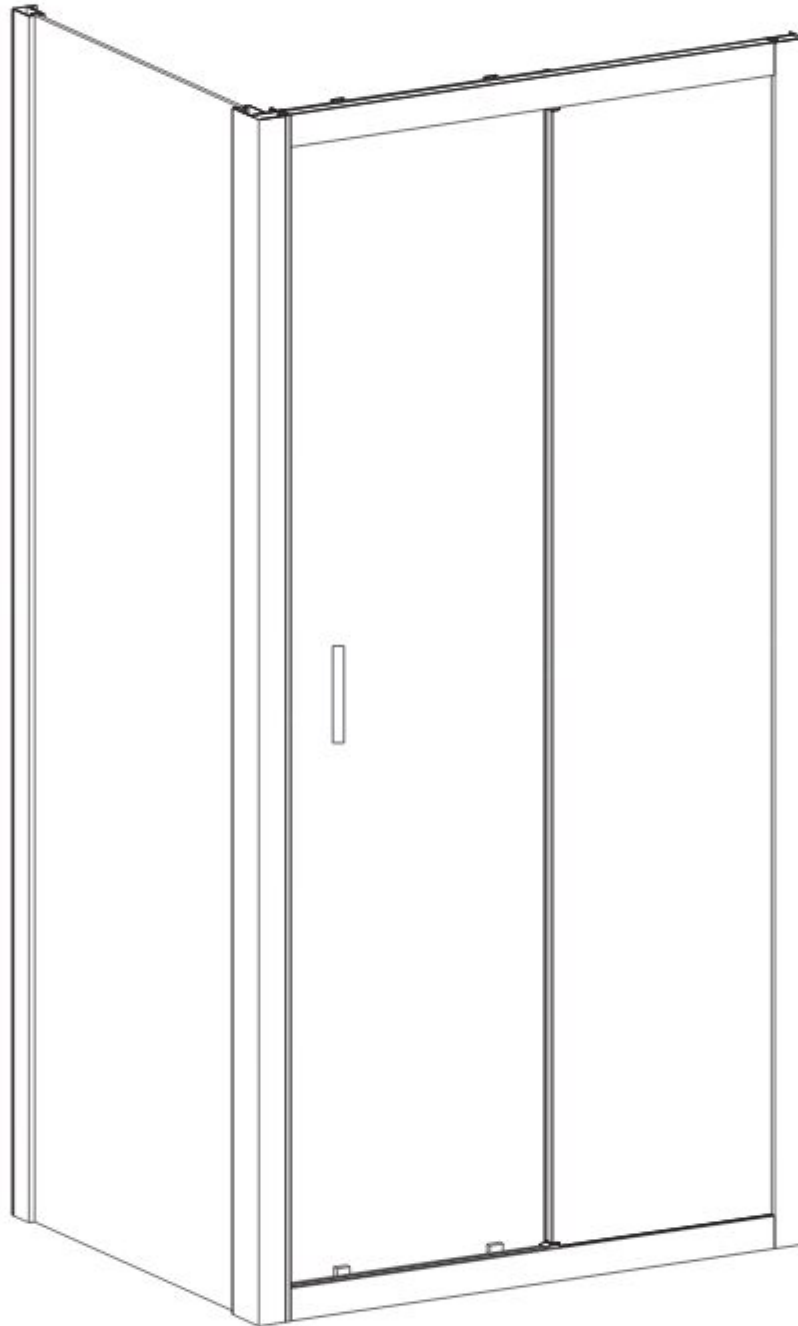


# ASSEMBLY INSTRUCTIONS

## 6MM Sliding Door



For installation between 2 walls, or in a left or right hand corner (using a side panel)

Decide which hand is required. Right hand opening illustrated.  
Change the hand by turning the door upside down.

## BEFORE YOU START , HERE IS SOME IMPORTANT INFORMATION

### 1) General Information

Please inspect this product upon delivery. Any missing parts or manufacturing defects must be reported immediately to the supplier. Damage or defects reported later will not be accepted. **TAKE CARE WHEN HANDLING GLASS PARTS-AVOID HEAVY CONTACT BETWEEN THE GLSS EDGES AND ANY HARD SURFACE.**

Glass breakage claims will not be accepted after the product has been unpacked.

Please note--aluminium is a soft metal, and undergoes a series of extrusion, fabrication, polishing and anodising processes in order to create your finished shower enclosure. Some light surface marks are normal, and is a result of the manufacturing processes. Quality control has ensured that this item is of a good standard, and is fit for purpose.

### 2) Addition notes










Please read these instructions carefully before starting installation.


Special care should be taken when drilling walls to avoid hidden pipes or electrical cables.

Note:this product is heavy and may require two people to install.

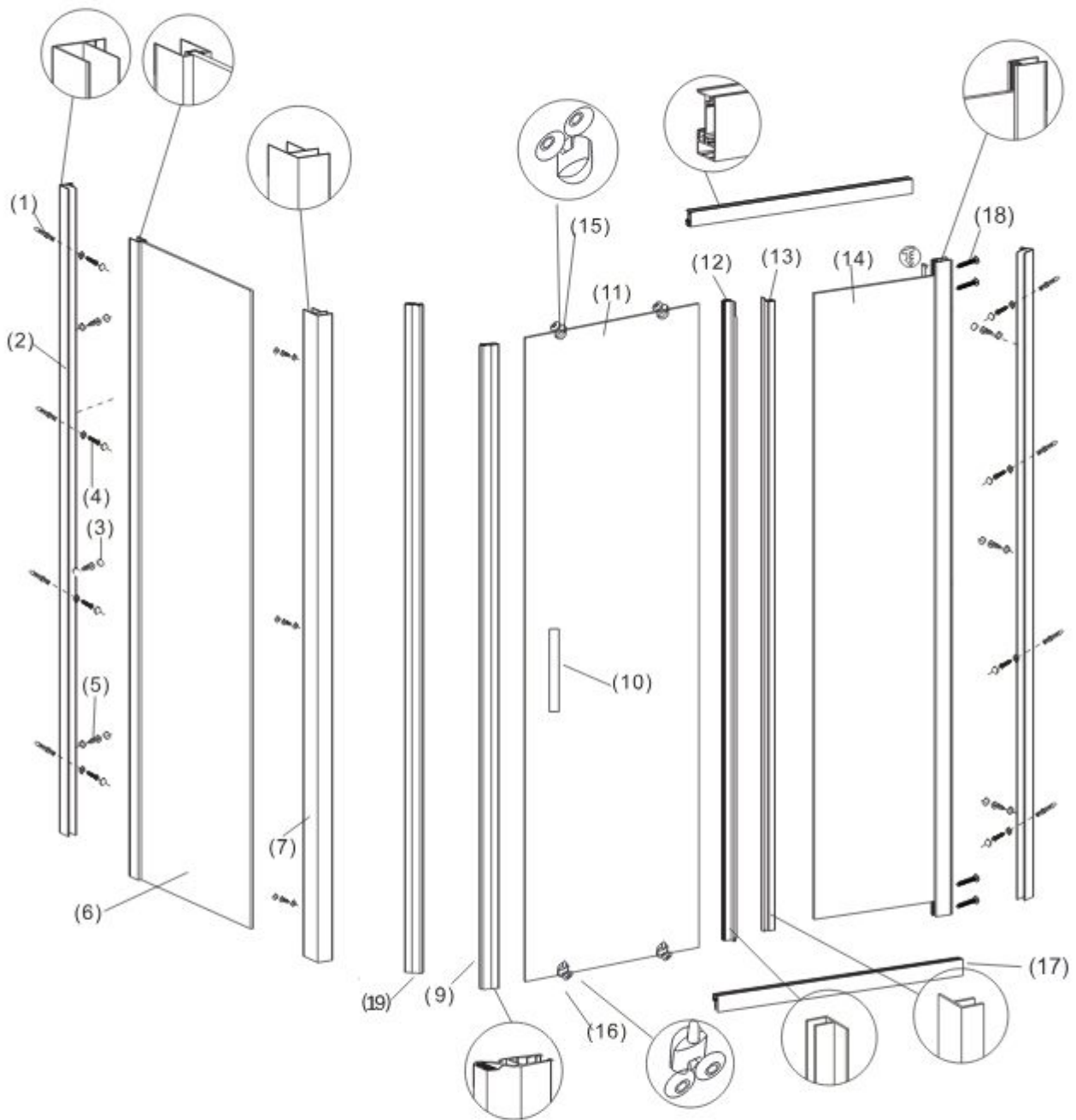
---

## TOOLS REQUIRED

DESCRIPTION	PART IMAGE	DESCRIPTION	PART IMAGE
Tape measure		Drill	
Spirit Level		Flat-head Screwdriver	
Pencil		Cross Head Screwdriver	
Drill bit		Hammer	
		Silicone Sealant	

 This product is heavy and may require two people to install.

## Assembly Instructions – Drawing



- (1) 8x Wall Plugs
- (2) 2x Wall Posts
- (3) 14x Screw Cover Caps
- (4) 8x Screws M4x30
- (5) 6x Screws M4x12
- (6) 1x Fixed Side Panel(in side panel box)
- (7) 1x Corner Post(in side panel box)
- (9) 1x Magnet seal for door glass
- (10) 1x Door handle
- (19) 1xMagnetic profile

- (11) 1x Door panel
- (12) 1x Plastic water Deflector(Door Panel)
- (13) 1x Plastic water Deflector(Fixed Panel)
- (14) 1x Fixed Panel
- (15) 2x Double Wheel Top Rollers
- (16) 2x Double Wheel Quick Release Bottom Rollers
- (17) 2 x Top and Bottom Profile
- (18) 4xScrews M4x40 (for joint fixed panel)  
4xScrews M4x25 (for joint door panel side)

# ASSEMBLY INSTRUCTIONS

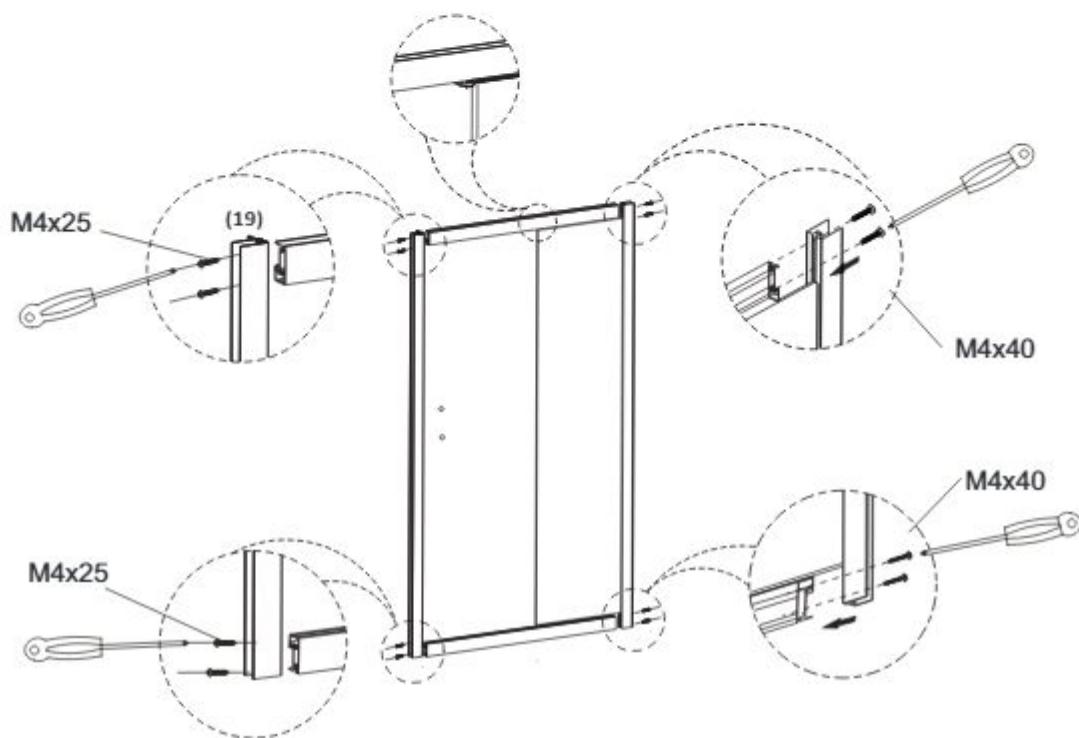
If you require help, we advise you firstly contact a competent plumber

## Installation Steps

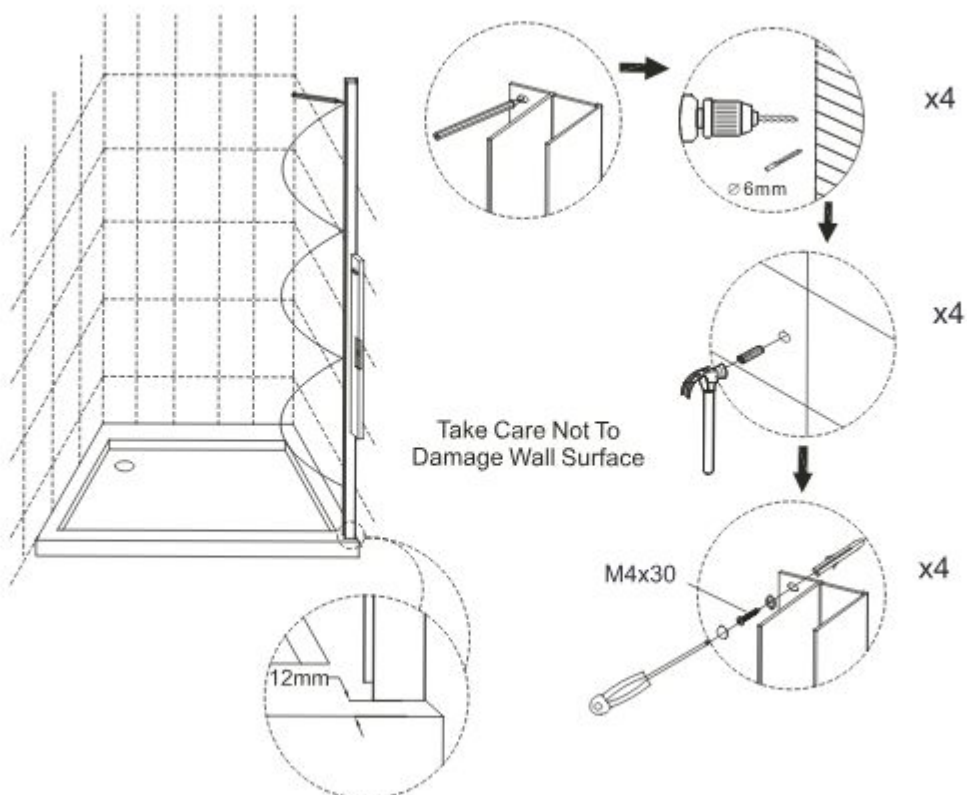
### A. FITTING IN AN ALCOVE

#### Step 1

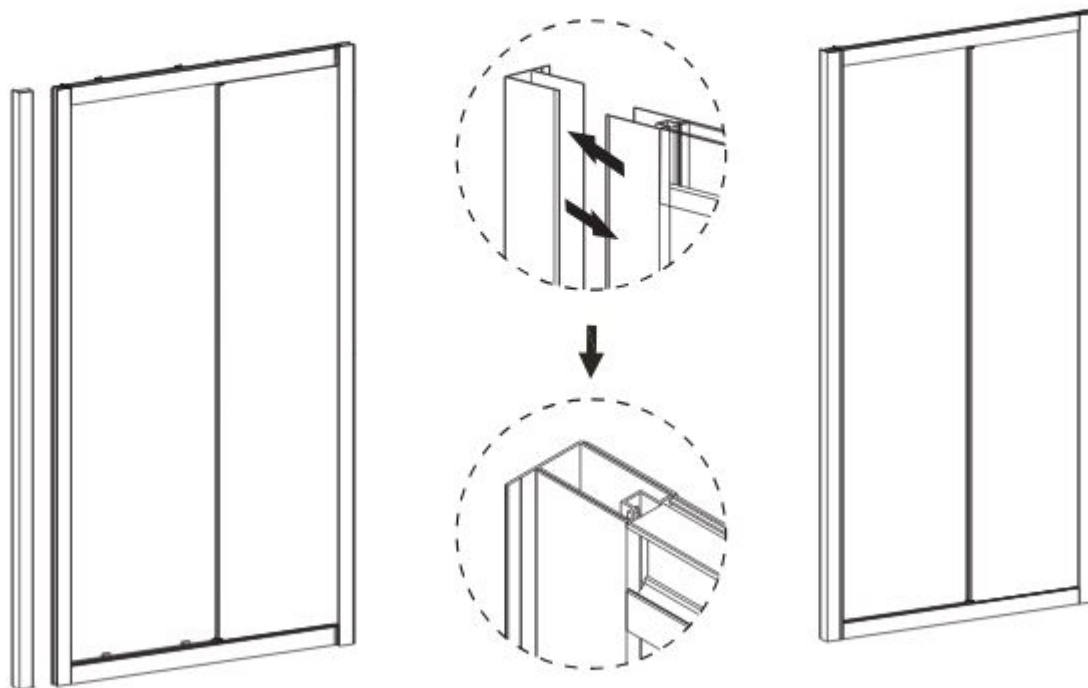
MAKE SURE THE TRAY IS LEVEL, USING A SPIRIT LEVEL, BEFORE INSTALLING THIS SHOWER PANEL / DOOR.



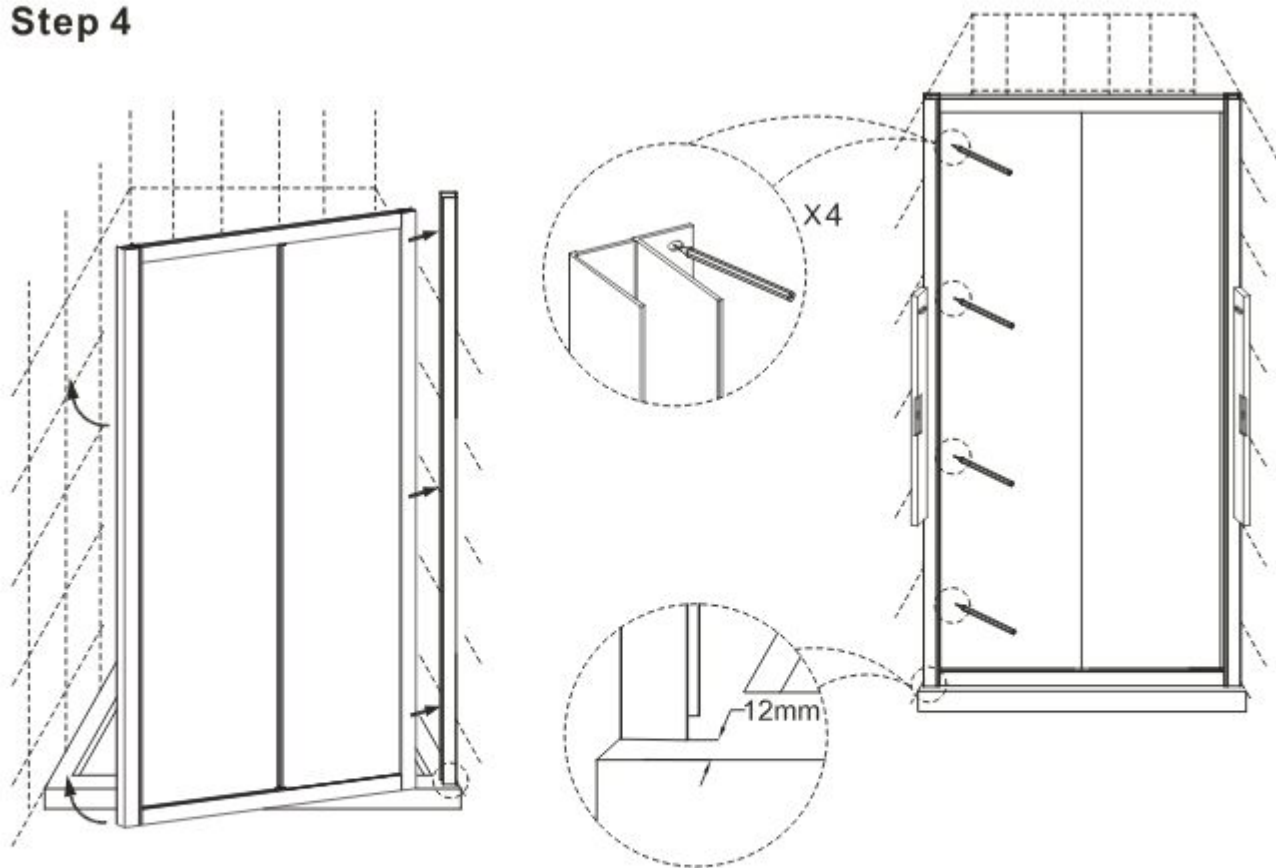
#### Step 2



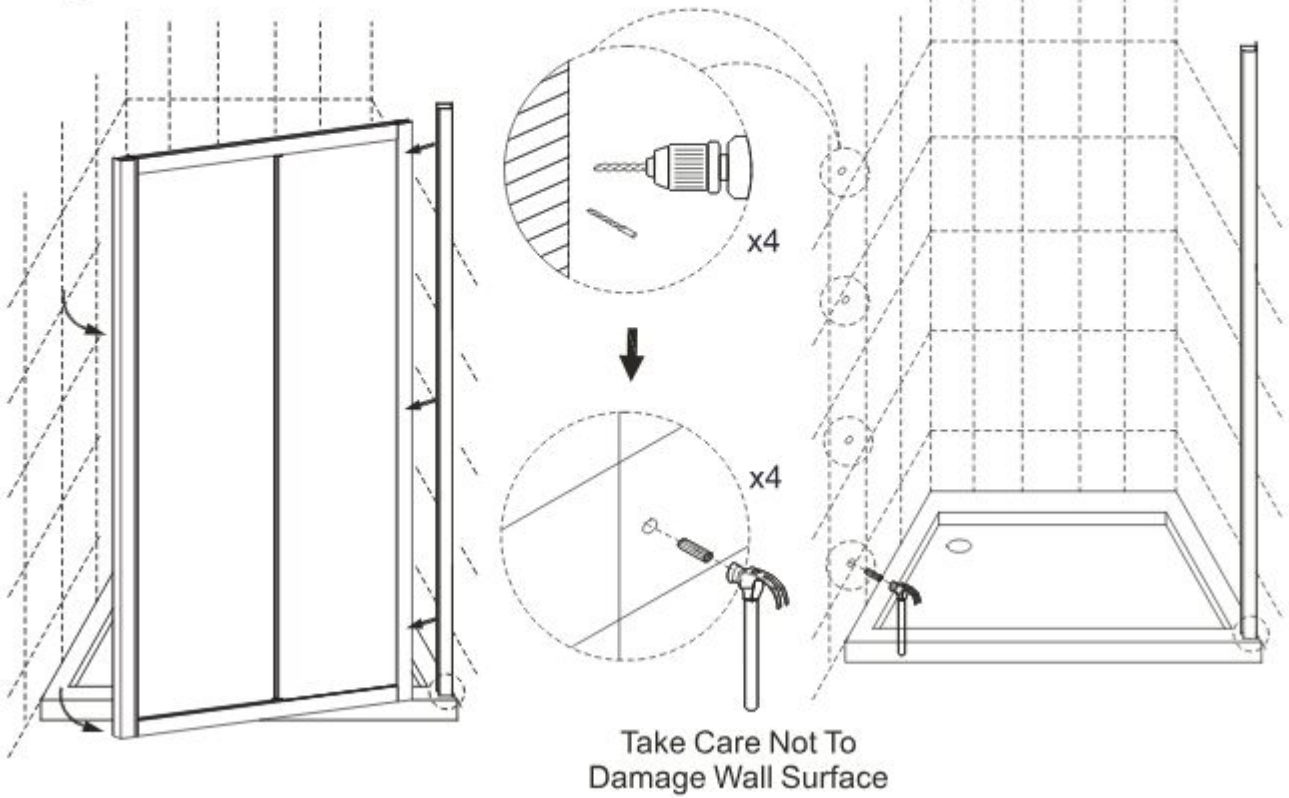
### Step 3



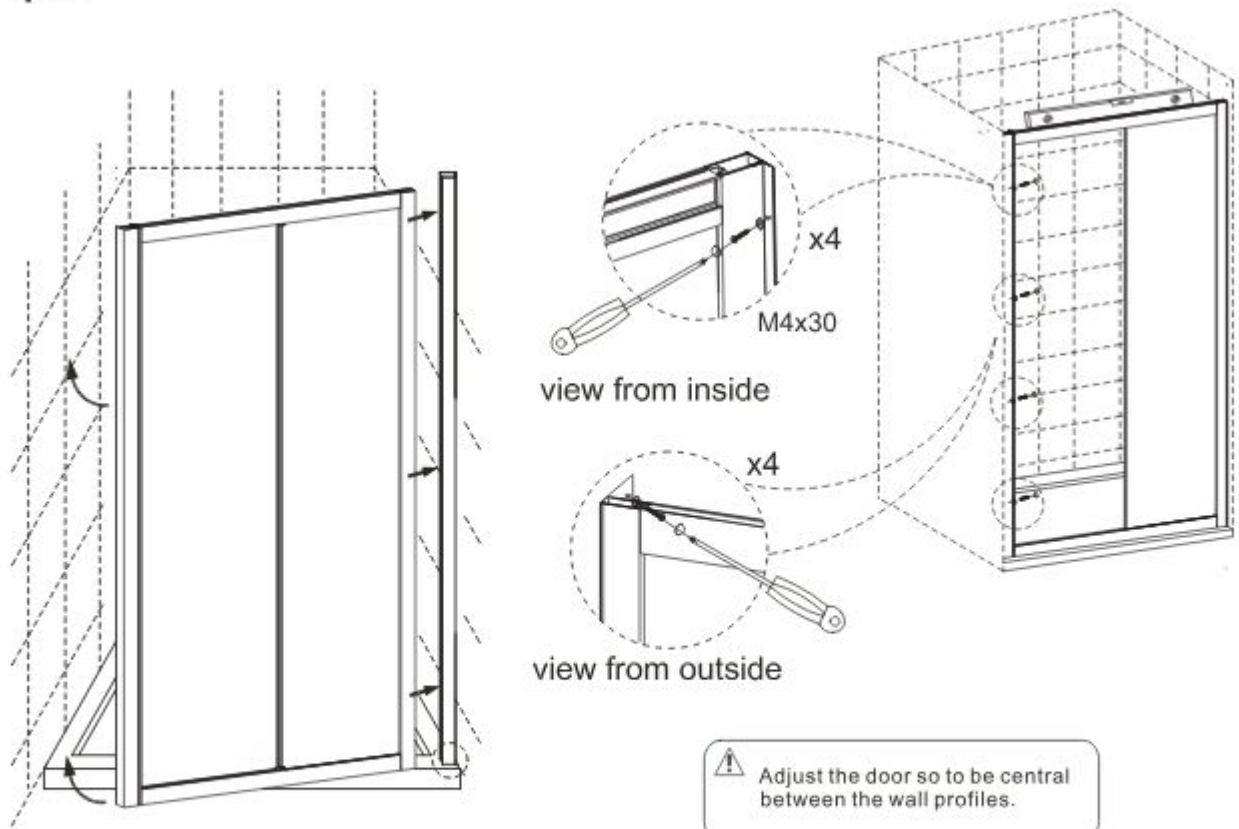
### Step 4



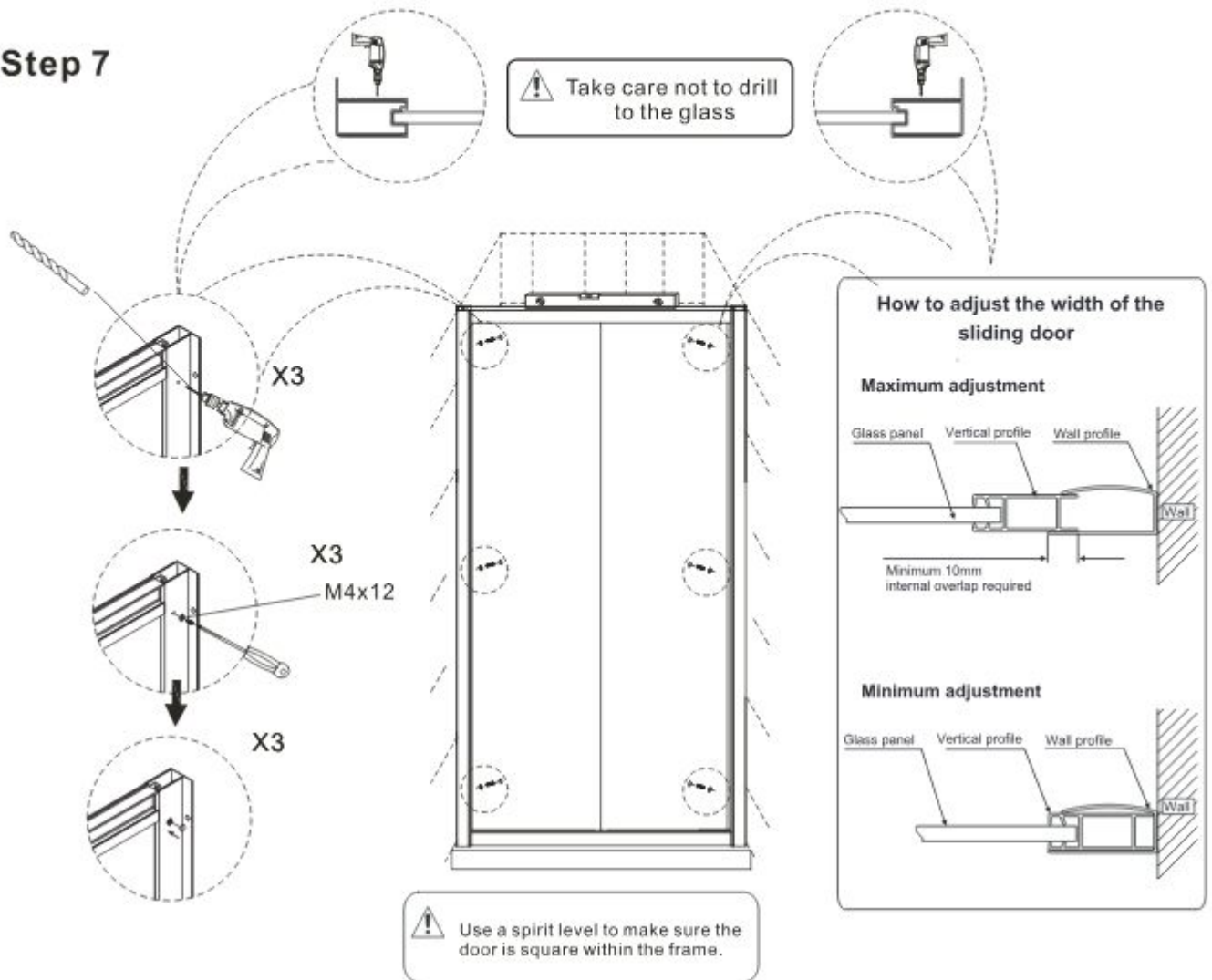
## Step 5



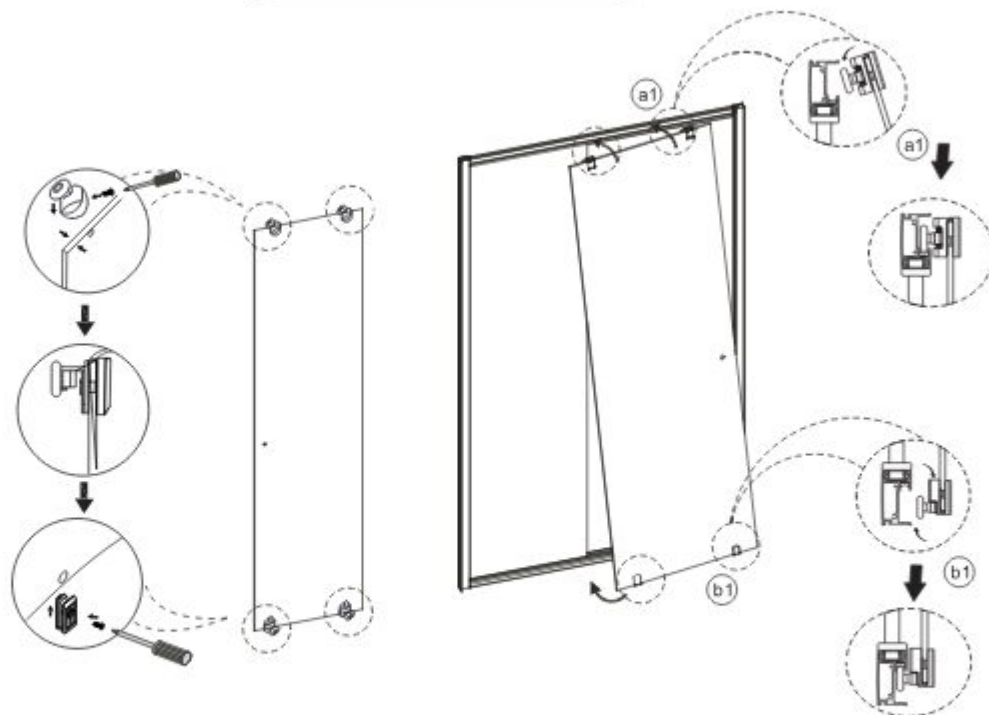
## Step 6



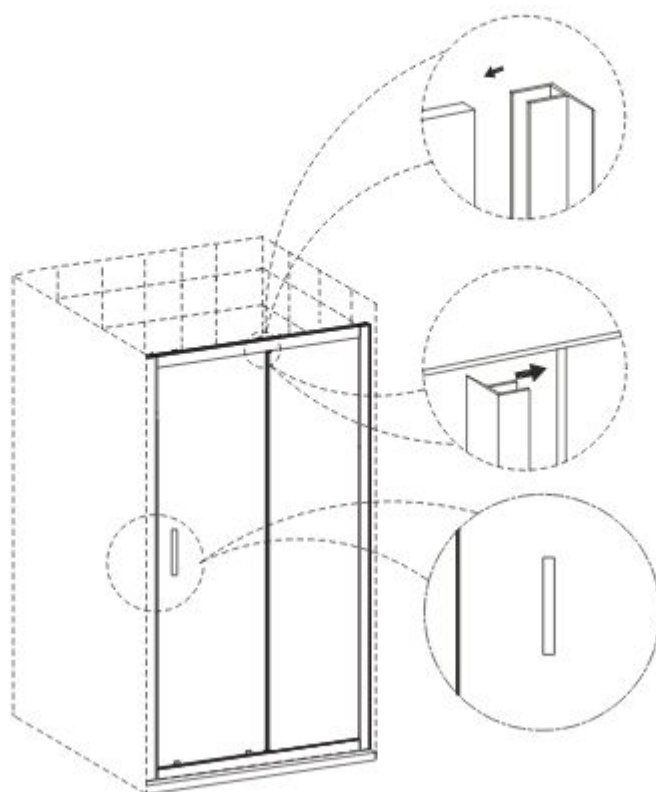
## Step 7



## Step 8



## Step 9



**NOTE: WHEN FITTING THE FIXED GLASS PANEL, PLEASE ENSURE A BEAD OF CLEAR SILICONE IS USED ON THE OUTSIDE OF THE GLASS AND REPEAT ON THE OPPOSITE SIDE ONCE THE PANEL IS FIXED IN PLACE.**

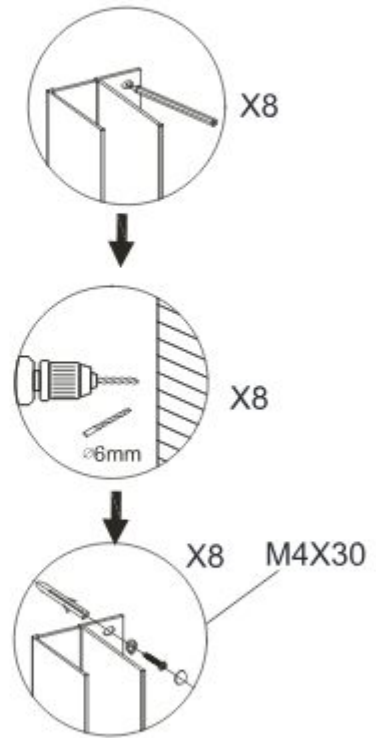
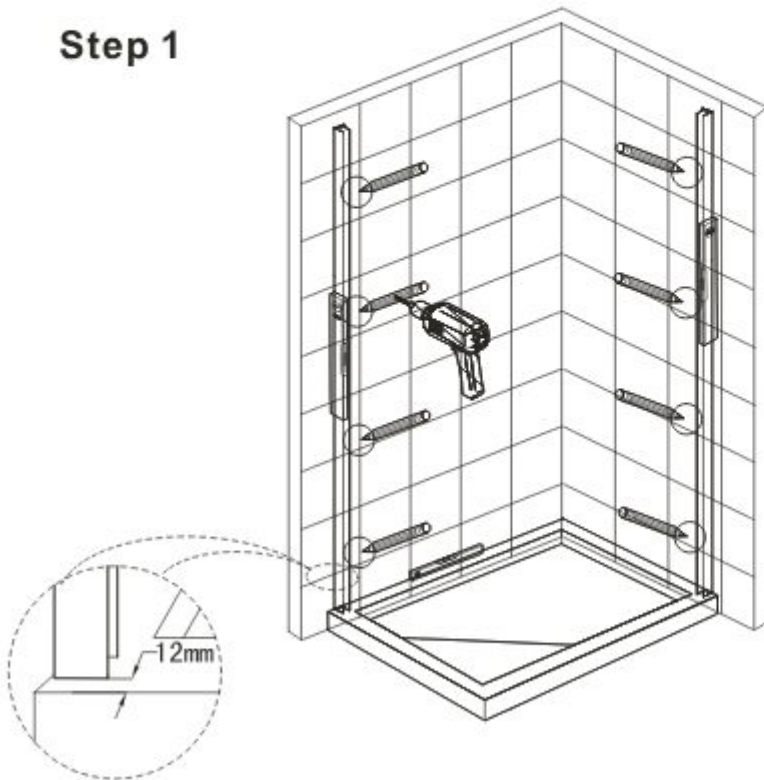
## Step 10



Silicone (outside edge only) where the vertical profiles meet the wall, and the horizontal profile meets the tray

## B. FITTING IN A CORNER (REQUIRES A SIDE PANEL)

### Step 1



- ASSEMBLE DOOR AS PER RECESS INSTRUCTIONS.
- FIT SIDE PANEL FIRST INTO WALL PROFILE, THEN FIT CORNER POST TO SIDE PANEL.
- ADJUST EVENLY ON THE TRAY, AND MAKE SURE ALL PROFILES ARE PLUMB USING A SPIRIT LEVEL.
- DRILL AND SCREW CORNER POST TO SIDE PANEL BEFORE INSTALLING THE SLIDING DOOR.

### Step 2

For sliding door  
For side panel

