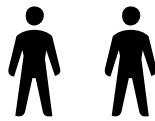
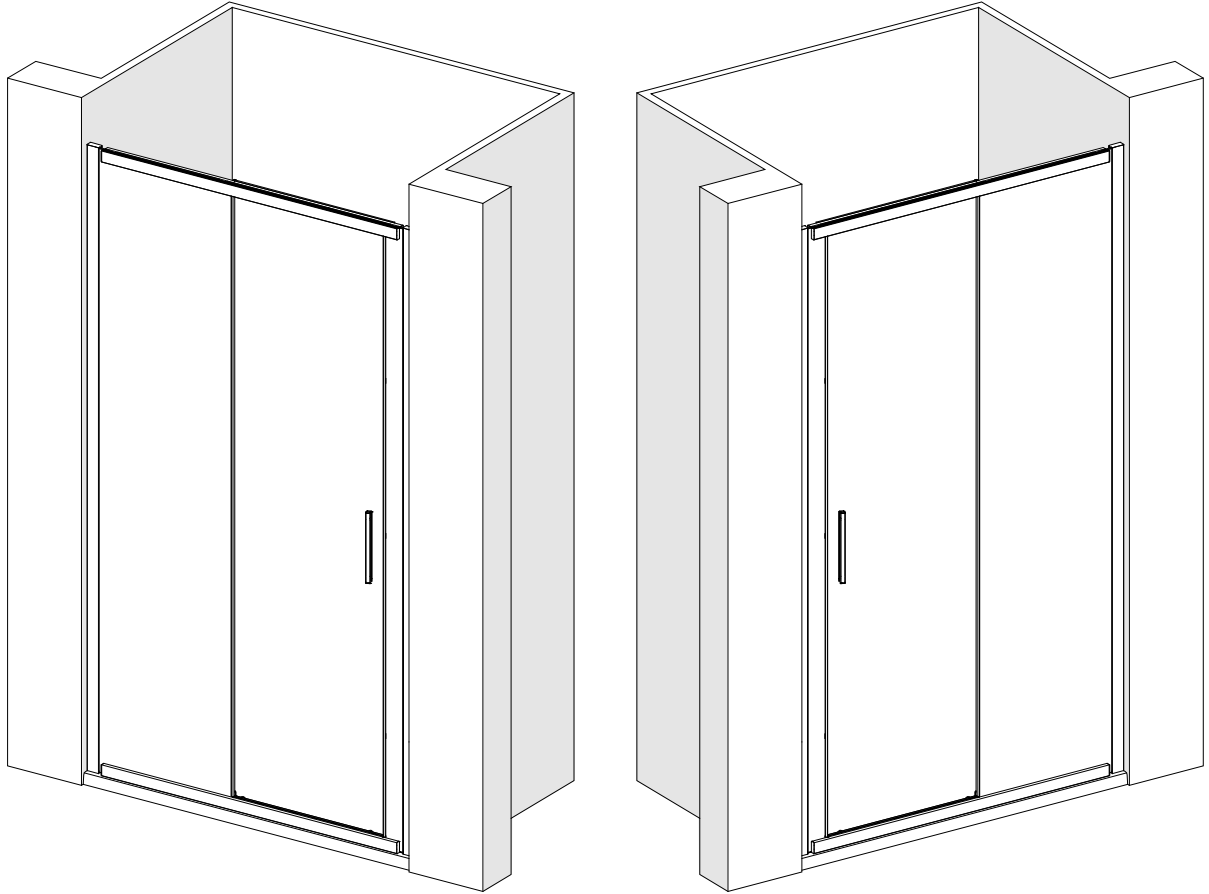

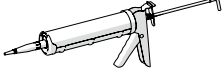


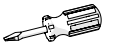

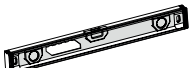





SNS



x2

 Pozi-head Screwdriver	 Clear Silicone Sealant	 Drill (Battery or Mains)	 Scissors	 Flat-head Screwdriver
 6mm Appropriate Drill Bit	 Spirit Level	 Tape Measure	 Pencil	 Craft Knife

Please read these instructions throughout before installing as incorrect fitting will invalidate the guarantee.
If you are unsure about these instructions please contact your supplier.

Important

Check appearance of all product - any defects must be reported to your retailer before assembly/installation. Claims for imperfections will only be accepted prior to assembly/installation.

Any claims made under the terms of the Lifetime Guarantee must be reported to your retailer within 21 days of the fault occurring.

Check the enclosure adjustment sizes are suitable for your installation.

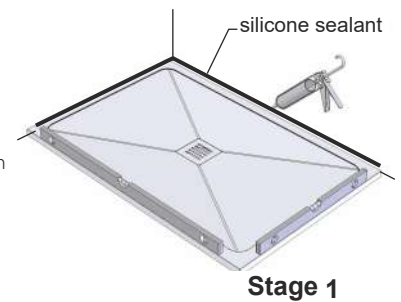
Use care when drilling into the walls to avoid hidden pipes or electric cables.

SHOWER TRAY

Ensure the top of shower tray is LEVEL in ALL directions.

Once the tray is installed but before the wall tiles are fitted, any gap between the tray and the walls must be filled with silicone sealant flush with the top of the tray.

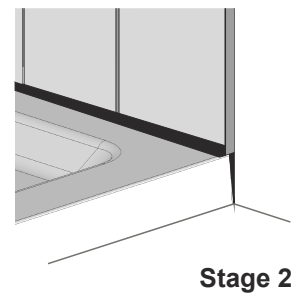
***Please note, enclosure is suitable for wetroom install also.**



WALLS

Once the walls have been tiled but before the enclosure is installed, the tiles must be silicone sealed to the tray all of the way around in one continuous bead.

Failure to follow these instructions will result in leakage problems.



CLEANING - GENERAL

For the wall post and fixings use only warm soapy water and damp cloth/ sponge on a regular basis. After cleaning please rinse with clean water to remove any residue.

DO NOT use abrasive scouring powders, chemicals or aerosol cleaners - these may result in damage to the surfaces, in particular, the plated component parts.

GLASS TREATMENT

The glass panels are pre-treated with a protective coating on the inside surfaces only. Whilst this makes cleaning the glass easier and helps prevent the build up of harmful lime-scale and soap deposits, the glass still needs to be maintained on a regular basis. We recommend the use of a detergent and aroma free glass cleaner (A 50/50 mix of white vinegar and water works well)

DO NOT use strong detergents, abrasive cleaners or abrasive scrubbing equipment for cleaning, these can damage the coating.

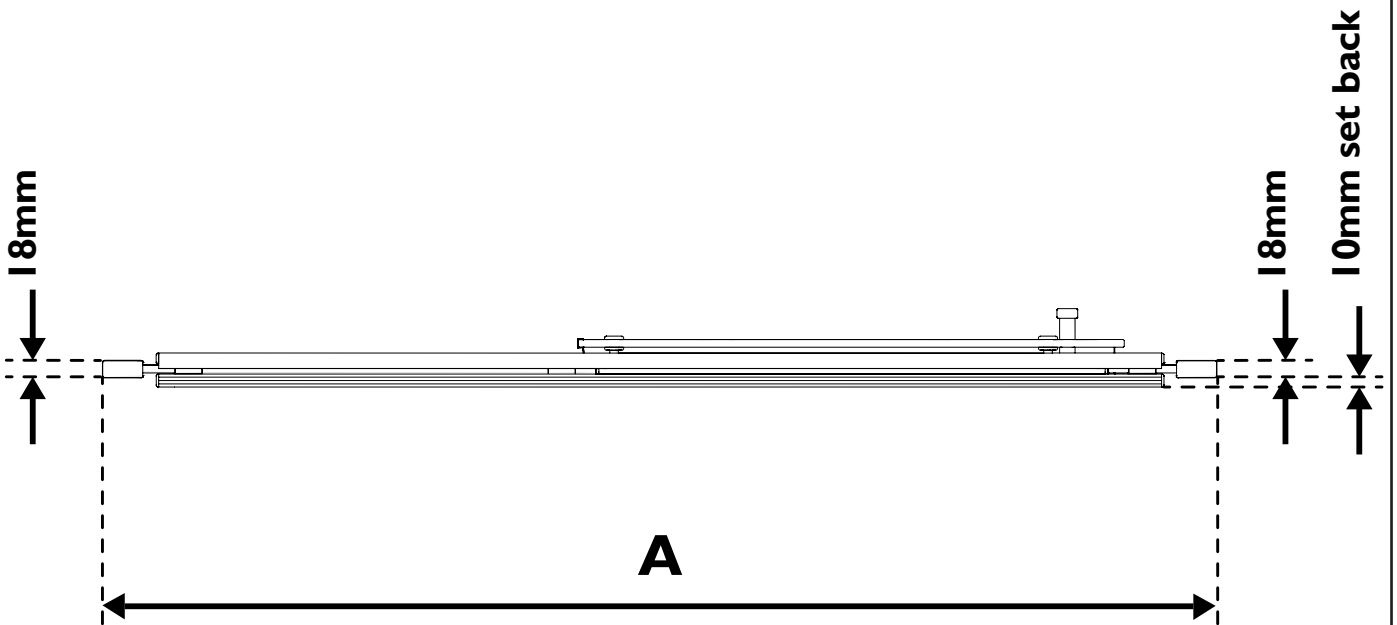
DO use a squeegee to remove remaining droplets of water from glass after showering, any build up of residue can be removed easily using an appropriate cleaner and agitation from soft cleaning equipment

**THESE INSTRUCTIONS ARE TO BE LEFT
WITH THE CONSUMER**

PRODUCT SIZES AND ADJUSTMENTS

PRODUCT	PACK CODES		DIMENSIONS (mm)
SLIDER	PACK ONE	PACK TWO	A
1200	SNSI20P1 (MBK)	SNSI20P2 (MBK)	1155 to 1195
1400	SNSI40I50P1 (MBK)	SNSI40P2 (MBK)	1355 to 1395
1500	SNSI40I50P1 (MBK)	SNSI50P2 (MBK)	1455 to 1495

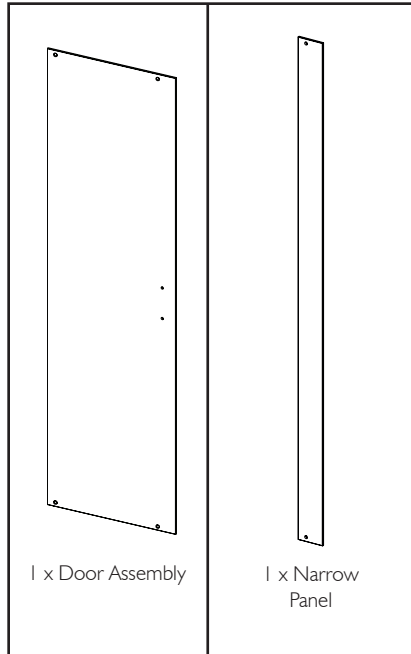
ENCLOSURE HEIGHT = 2000mm



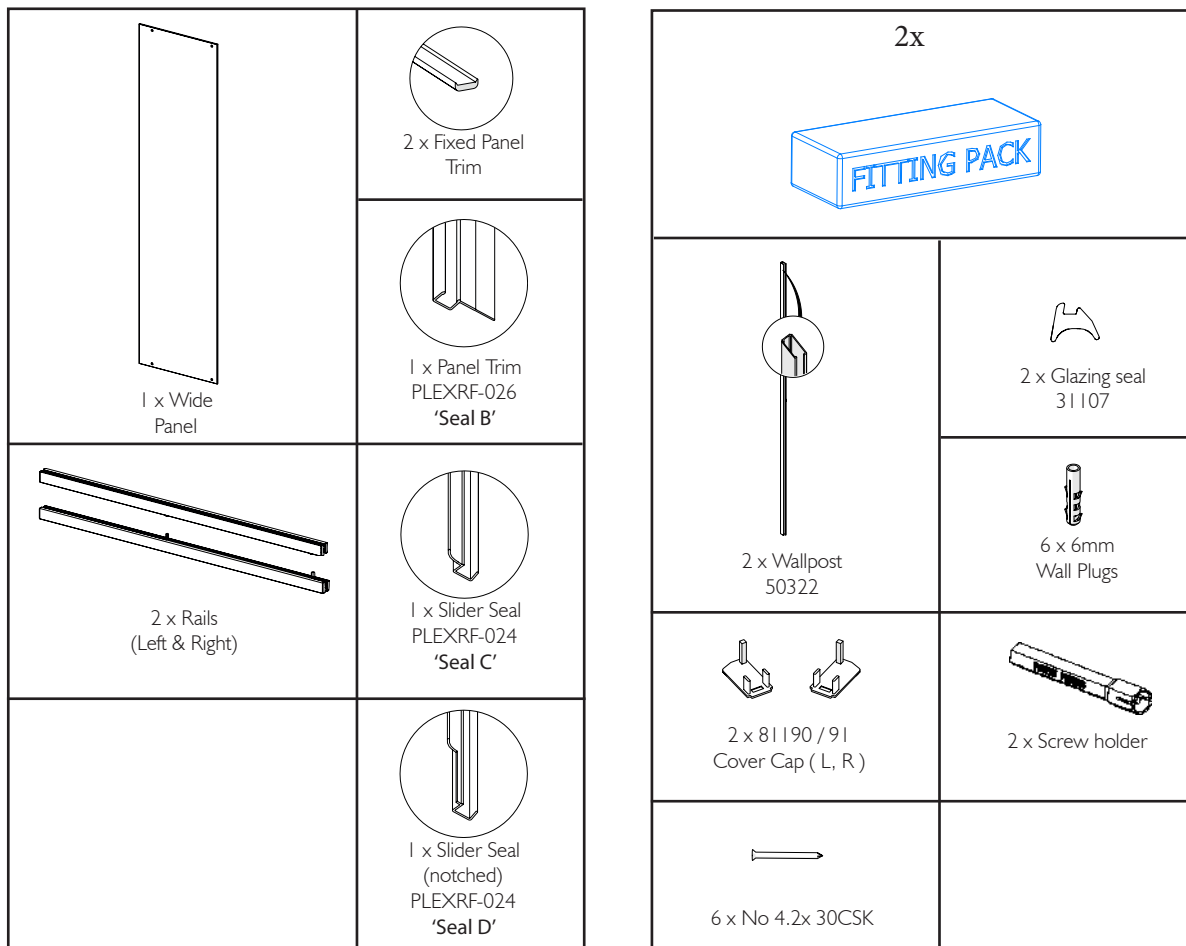
Important

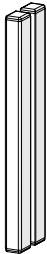
THIS INSTRUCTION IS TO INSTALL A RECESS OPTION ONLY. FOR A CORNER YOU WILL NEED TO PURCHASE A SIDE PANEL PACK.

PARTS LIST - DOOR PACK

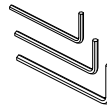


PARTS LIST - INLINE PACK





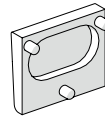
1 x 941-HNDL-41-S
Handle



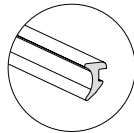
1 x 2.5mm
1 x 3mm
1 x 4mm
Allen Key



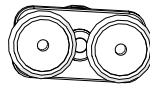
1 x M193-01 Shim



2 x M130-02
Adjustable stop
block cover



1 x Glazing Wedge
PLEXF-020



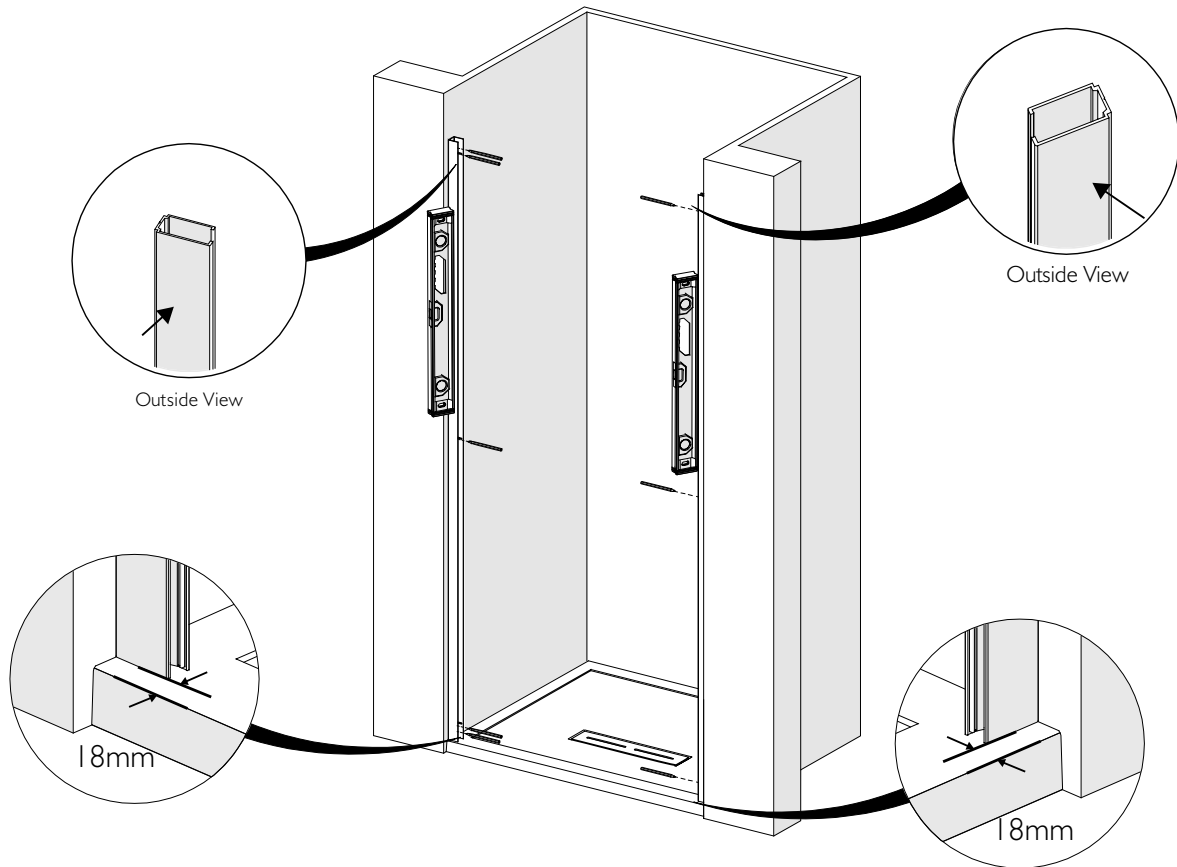
4 x Wheel
Assembly
DCM84-ASM

INSTALLATION STEPS

STEP 1. Position and Mark Wallposts

1. Position both wallposts (with the longer width section of the wallpost positioned to the outside) 18 mm in from front edge of tray, as shown below.

Using spirit level to ensure wallposts are vertical, mark through the 3 holes in each profile onto the wall surface and remove wallposts.

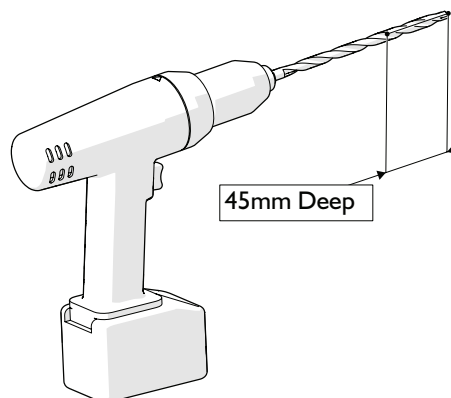
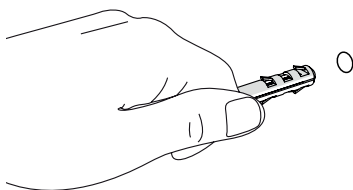


STEP 2. Drill Mounting Holes

1. Remove the wallposts. Placing safely off to one-side.

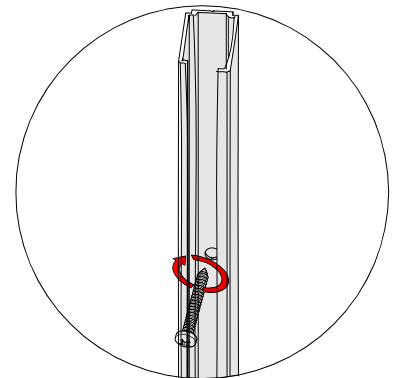
2. Using a 6mm masonry drill bit and drill (or appropriate drill bit if drilling tiles), drill all 6 holes using 'spot' marks from step 1, each hole should be 45mm in depth.

3. Insert the 6 x '6mm Wall Plugs' supplied, into the six holes.



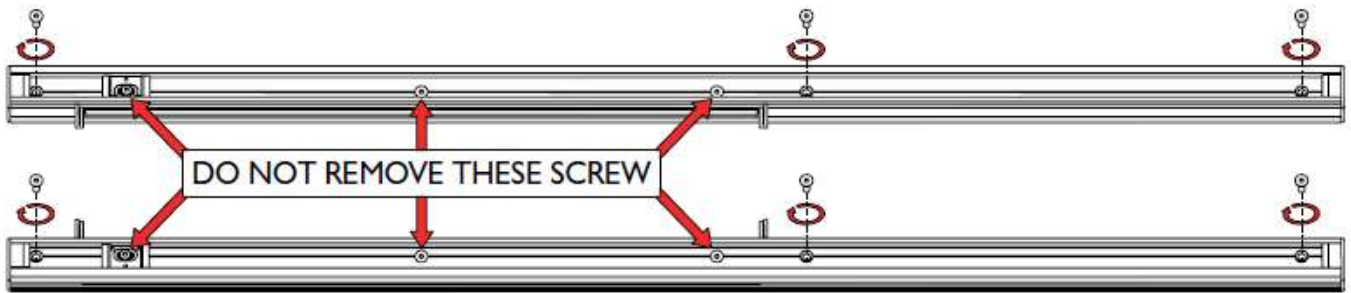
STEP 3. Fix Wallposts

1. Fix wallposts using 6 x No.4.2x30 csk Screws provided. Tighten all screws using pozi-head screwdriver, ensuring the wallpost is vertical.



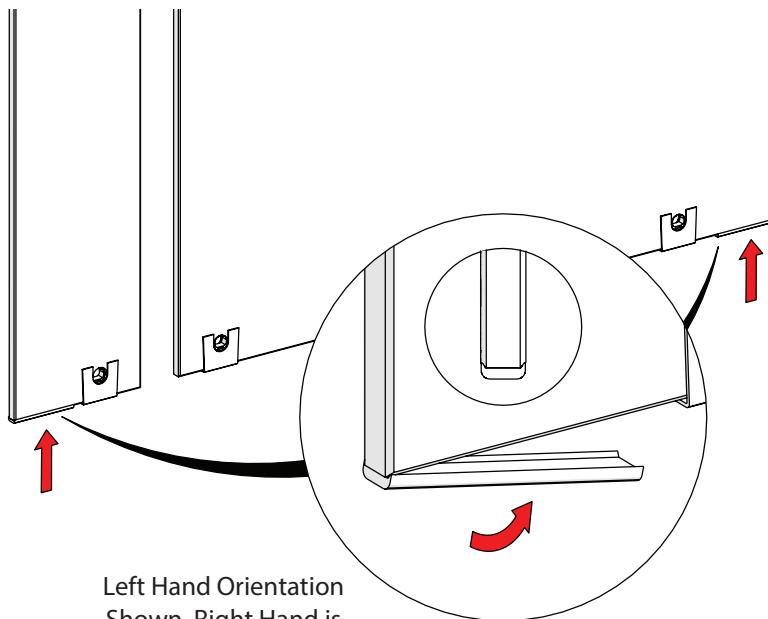
STEP 4. Prepare Rails

1. Carefully unpack the rails from their protective sleeves.
2. Using the 3mm allen key provided, remove the 3x M5 screws from each rails, as shown. Store these screws safely to one side as you will need to re-fit these at a later stage.



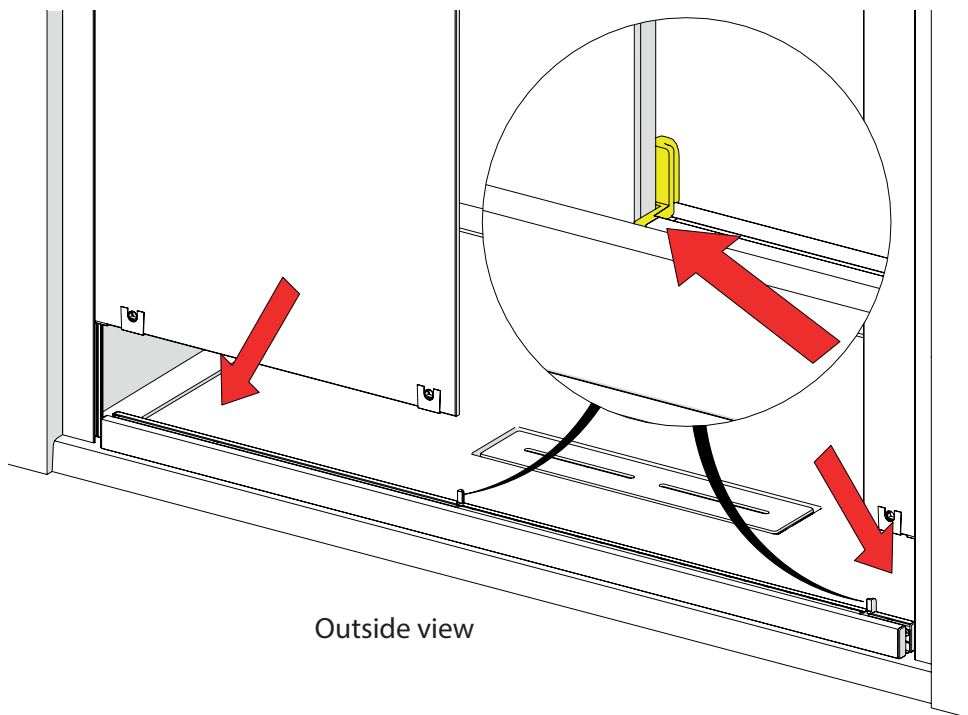
STEP 5. Add Trim to Inline Glass

1. Clean glass edge, then make sure it's completely dry.
 2. Acquire the WTR-0001 Trims. Peel off a small length of the bottom trim adhesive tape and apply to bottom of glass panel to the edge, as shown. Continue along length of trim, peeling away the tape as you go, until the full trim length is adhered to the panel.
- Use small upturned edges on bottom trim against chamfered glass edges to ensure trim is fitted centrally.
- Only if installing a 1500 size: the large in-line panel requires the 150mm trim.



STEP 6. Fit Inline Glass

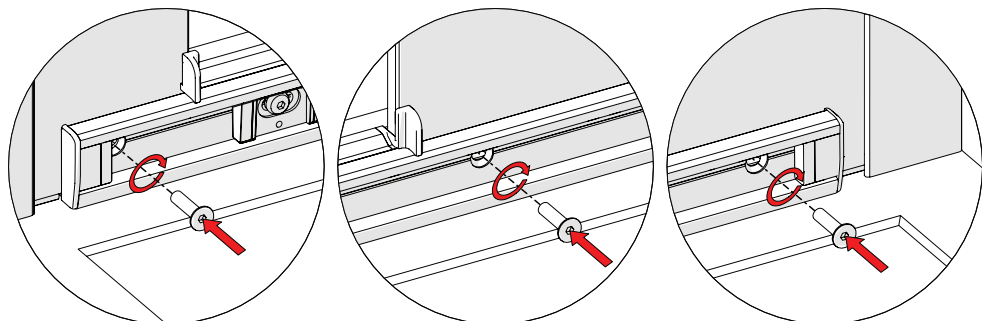
1. Depending on handing required position the correct rail centrally in between and in-line with the wallposts (right hand access shown).
2. Slide the narrow glass panel into the clamps of the wallpost and then down into the recess of the bottom rail. Ensure the glass is tight up against the clear plastic end cap, as shown highlighted yellow.
3. Re-insert the M5 screws into the rail and tighten with the 3mm allen key.
4. Repeat with the wide fixed panel, securing this to the panel with 2x screws in rail.



Outside view

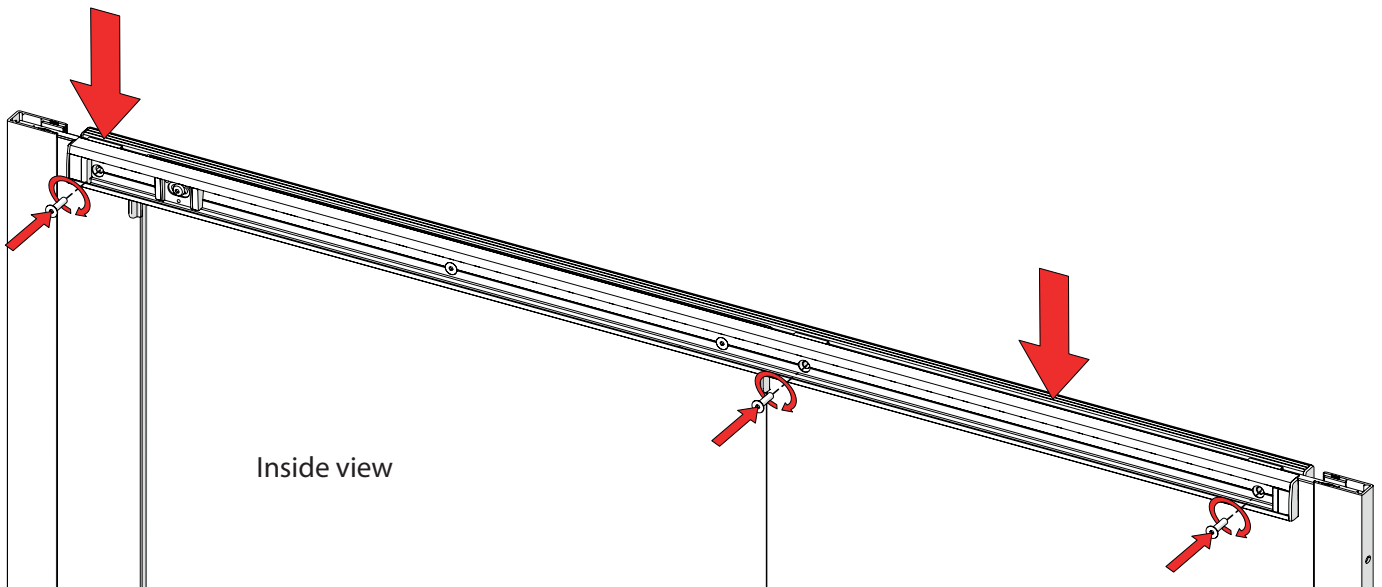
Inside view

Shown to install a right hand access enclosure. For left hand see supplementary steps at the end.



STEP 7. Fit Top Rail

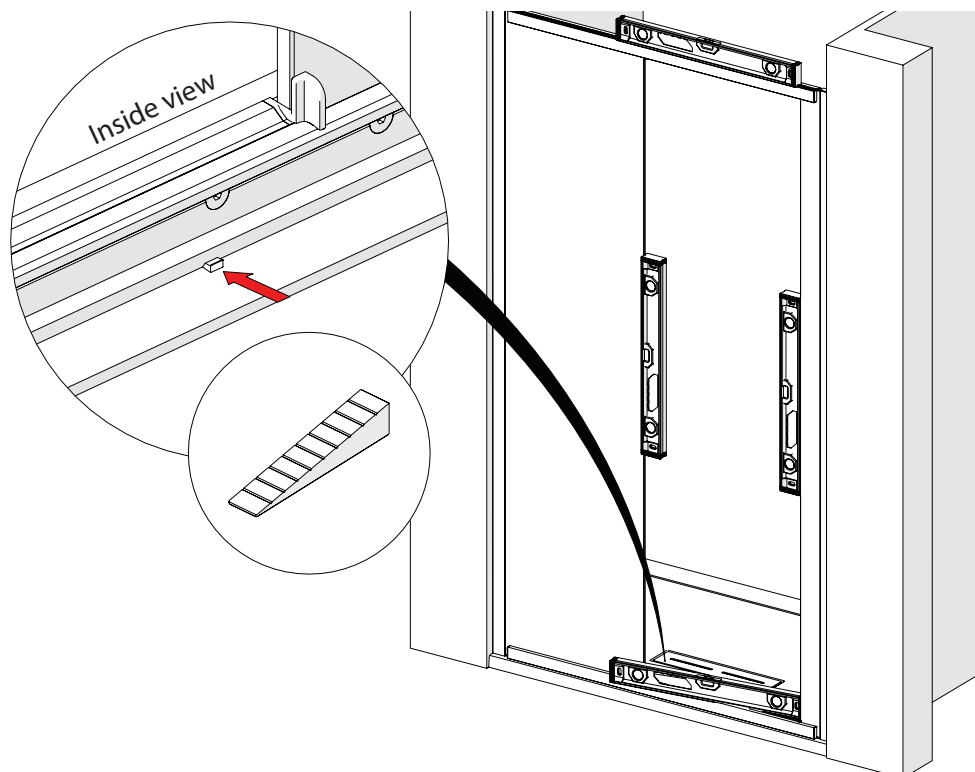
1. Position and slide down the top rail firmly onto the glass panels and secure with 3x M5 screws, ensuring the panels are tight up against the clear plastic end caps in rail, as shown yellow in step 7.



STEP 8. Level Bottom Rail

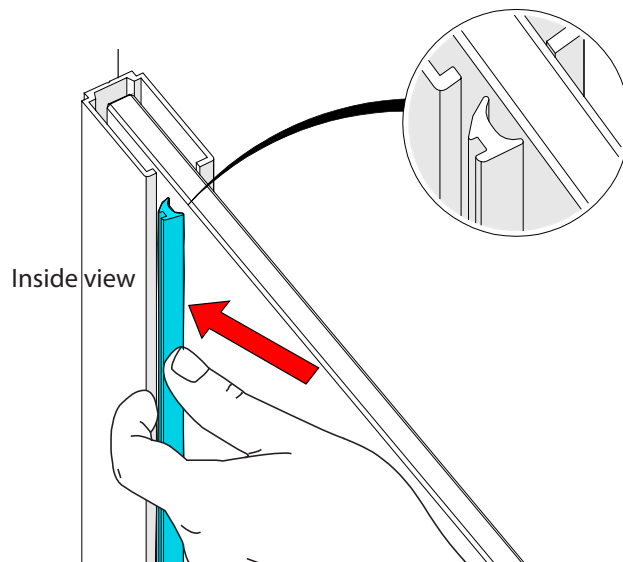
1. Often shower trays have different angled top faces, in order to help keep the frame supported use the 'Shim (M193-01)' supplied. On the inside of the enclosure measure the gap between the bottom of the rail and top of the tray, select the height required from the shim strip supplied, break off and insert under rail. The shim will be concealed by silicone sealant later.

2. Check glass panels are vertical and both rails are horizontal.



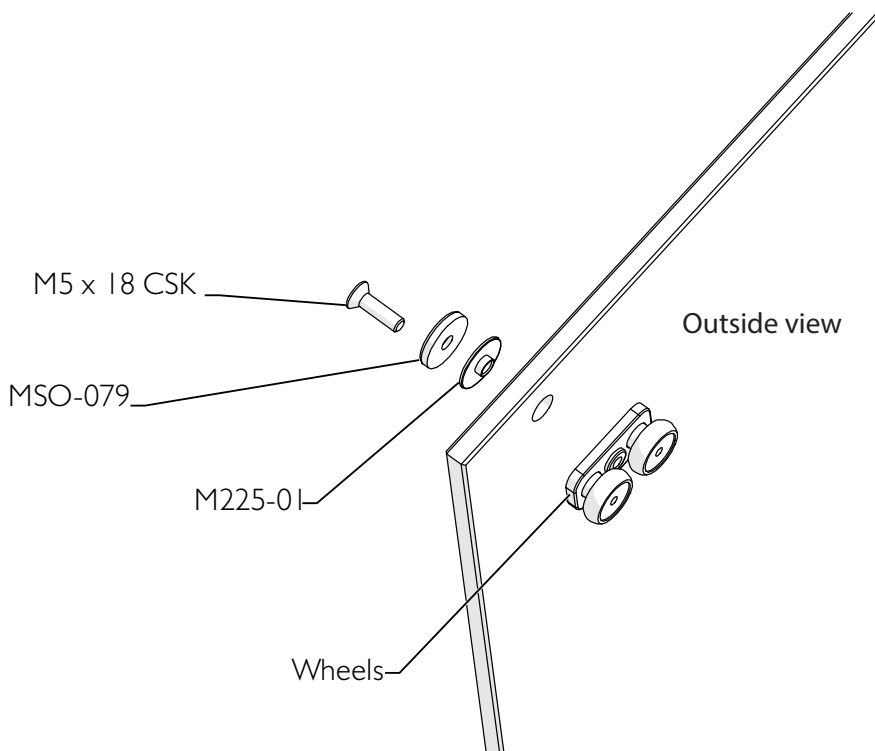
STEP 9. Insert Both Glazing Seals

1. Take '2x Glazing Seal (31107),' Insert the seal to the inside of both wallposts between the glass panel and lip of the metal on the post. Note seal orientation. Start at the top and work downward, until the seal is fully inserted all the way down the panel.

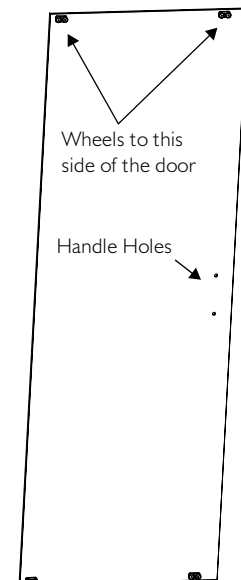


STEP 10. Assemble Sliding Door

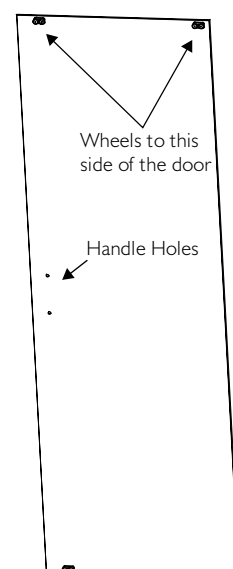
1. The door wheels can be fitted for either right hand or left hand opening as shown.
2. Using 3mm allen key supplied, remove M5 screw to release parts on DCM84-ASM, refer to below diagram and re-assemble on sliding door glass at both top and bottom.
3. Do NOT tighten the BOTTOM set of wheels fully, these need to remain slightly loose to enable them to slot into the bottom rail.



DOOR SLIDE FROM RIGHT TO LEFT

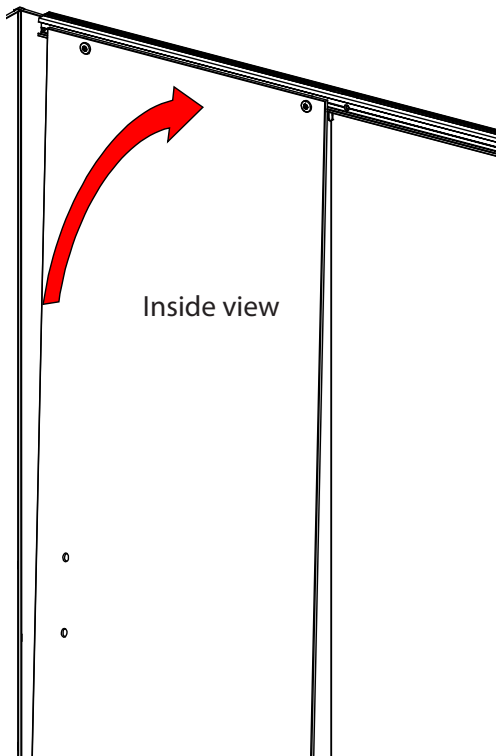


DOOR SLIDE FROM LEFT TO RIGHT



STEP 11. Fit Sliding Door

1. Ensuring handle holes in slider door are on the correct side, carefully lift door through opening.
2. Lift the door glass and insert both sets of wheels into the running channel of the top and bottom rail. Tighten wheels fully when inserted.

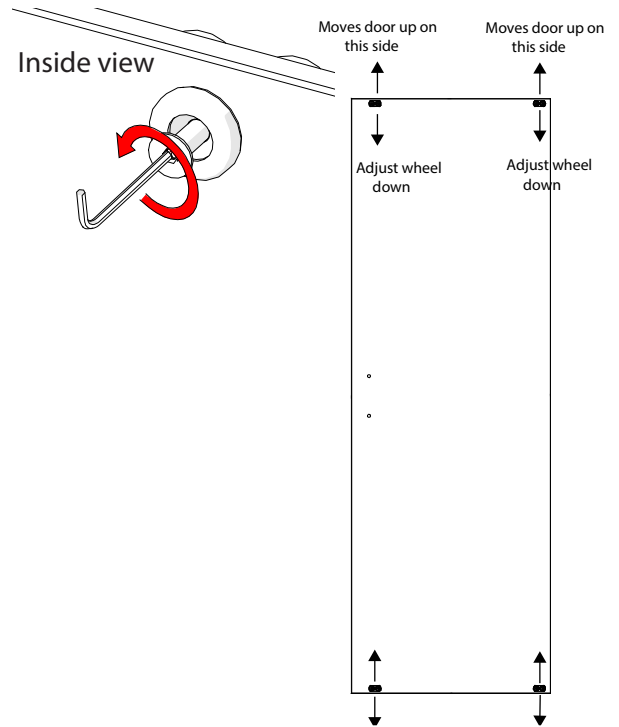


STEP 12. Adjusting Door Glass

From the outside check the vertical alignment of door glass against the vertical corner seal on side panel.

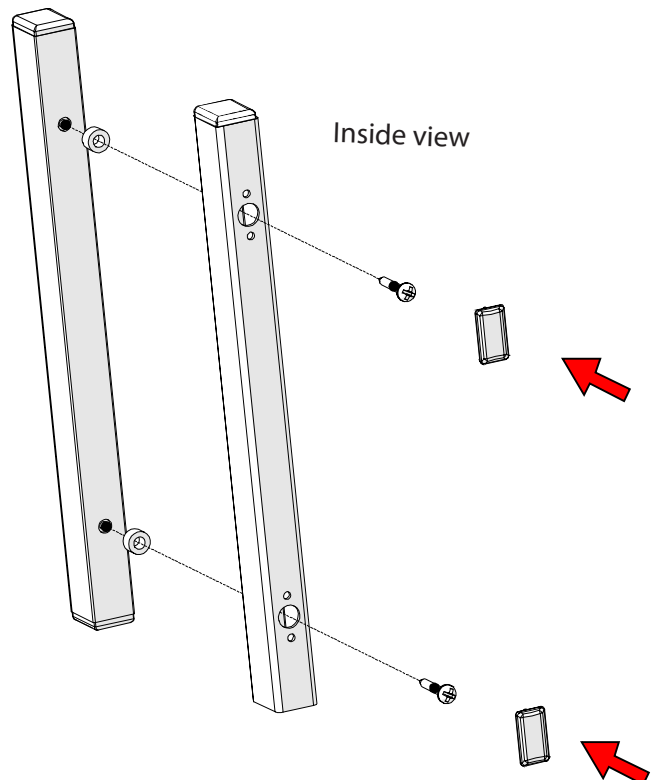
If necessary, the door can be adjusted from the inside, by loosening the M5 screw/s (do not remove) and moving wheel/s up or down as shown, to achieve correct alignment.

M5 screws must be fully tightened on completion.



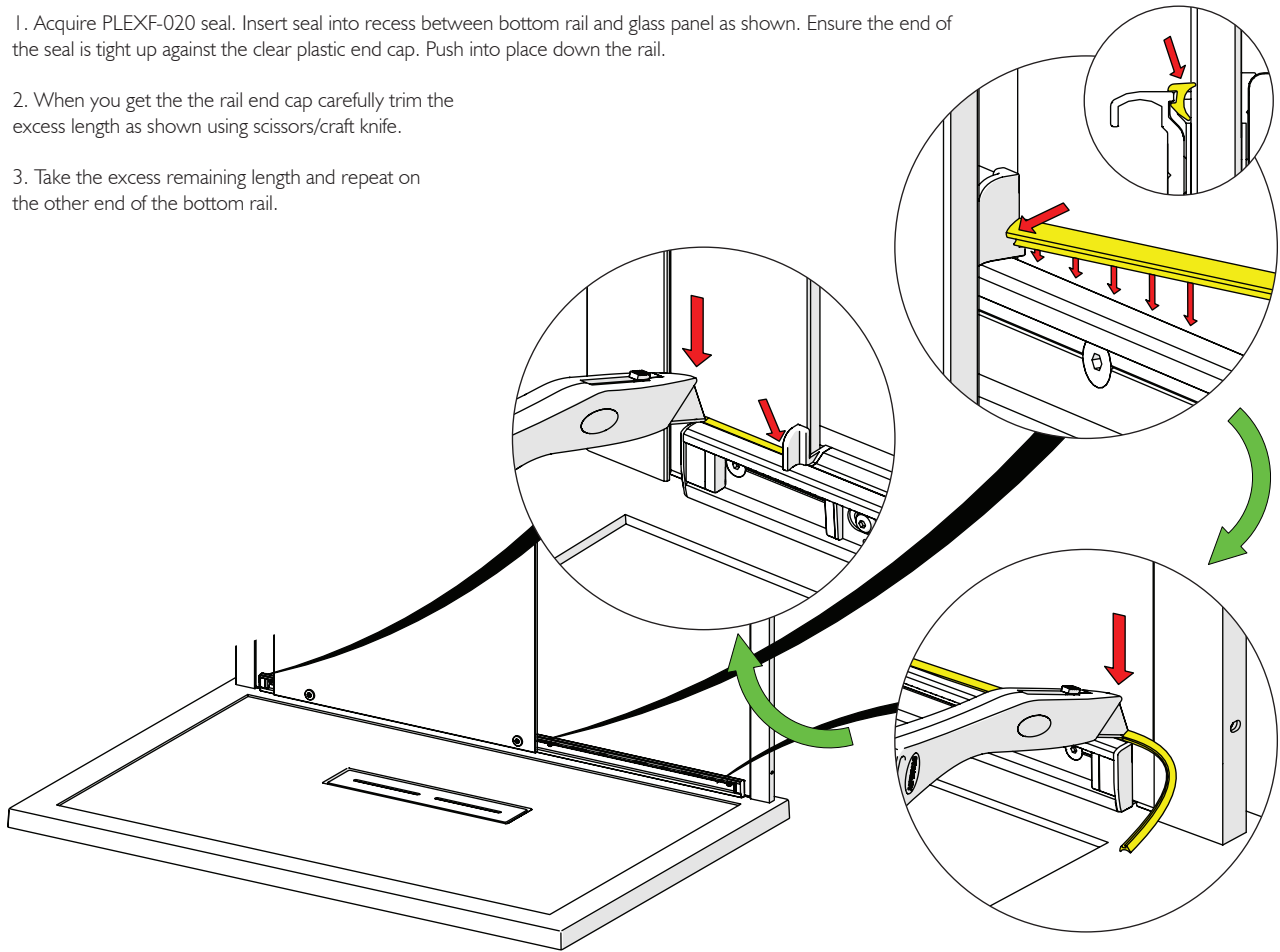
STEP 13. Fit Handle

1. Fit handle to door glass using screws provided in handle assembly. Tighten screws using a pozi-head screwdriver and fit cover caps to conceal screw heads, as shown.



STEP 14. Fit Seal to Bottom Rail

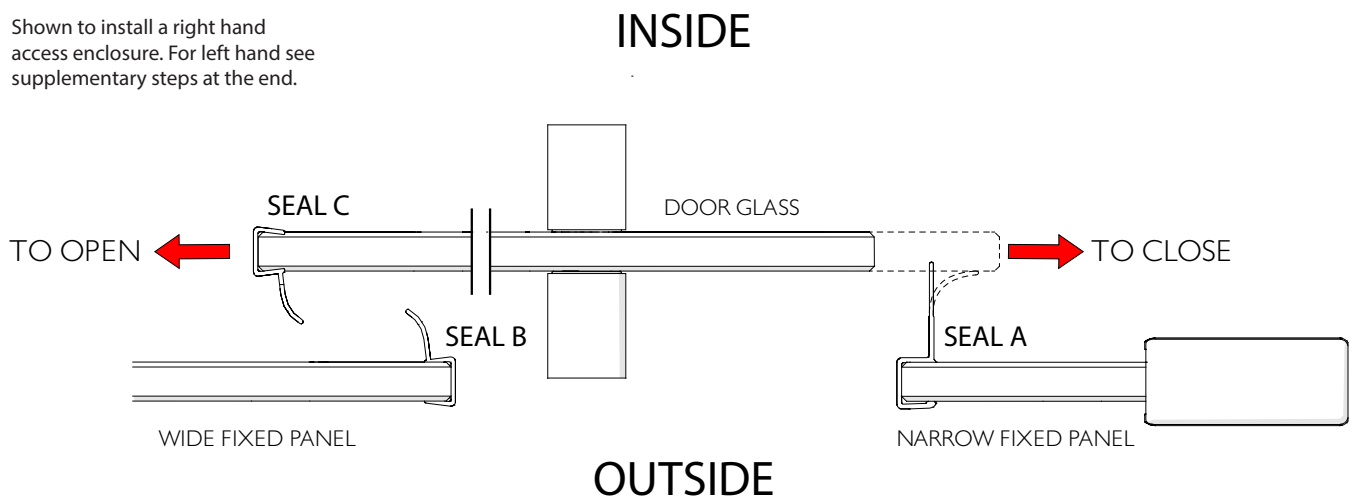
1. Acquire PLEXF-020 seal. Insert seal into recess between bottom rail and glass panel as shown. Ensure the end of the seal is tight up against the clear plastic end cap. Push into place down the rail.
2. When you get to the rail end cap carefully trim the excess length as shown using scissors/craft knife.
3. Take the excess remaining length and repeat on the other end of the bottom rail.



STEP 15. Fit Vertical Seals

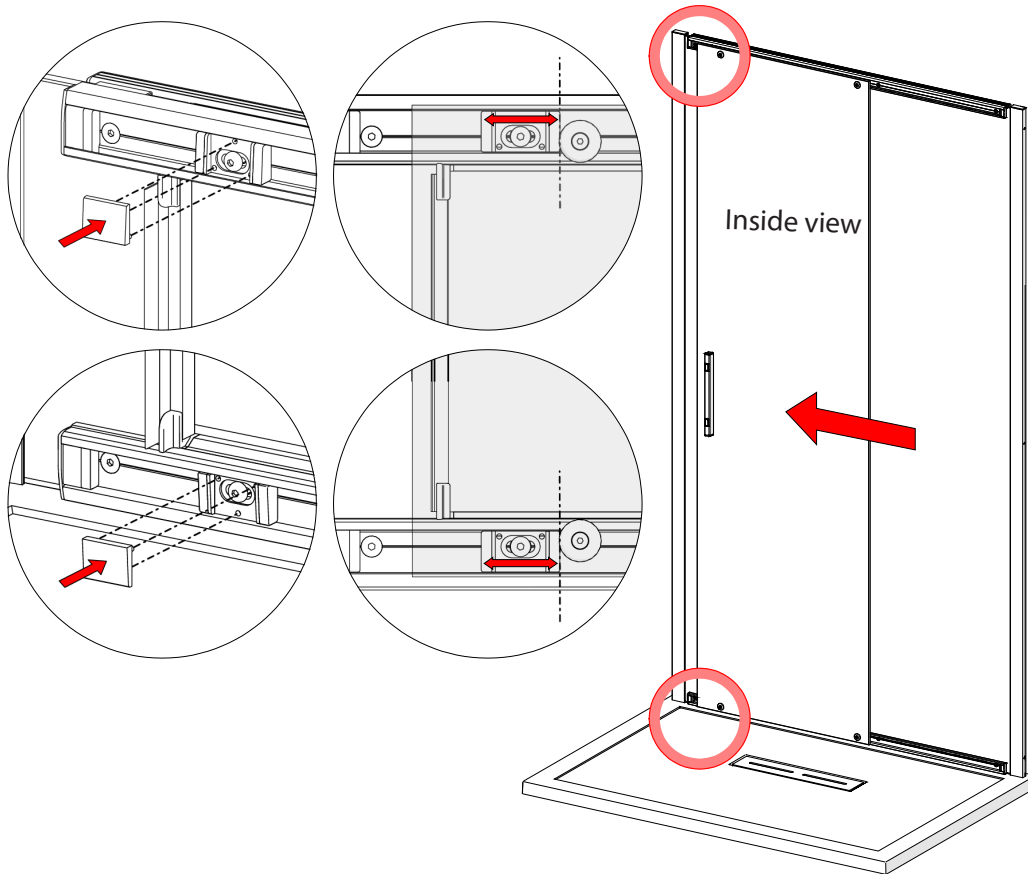
1. Fit seals to vertical edges of the glass, as shown. Seal A (1926mm) needs to go on the Narrow Fixed Panel. Seal B (1926mm) needs to go on Wide Fixed Panel. Seal C (1989mm & notched) needs to go on the door glass opening end. Ensure the two seals which fit on the fixed panels slot inside the rail clear plastic end caps at top and bottom. These seals must be fitted correctly, if not, the seals will fail prematurely.

Shown to install a right hand access enclosure. For left hand see supplementary steps at the end.



STEP 16. Final Check and Adjustments

1. The door wheels should come into contact at the same time top and bottom with the stoppers when closing, to avoid causing the door to "kick". If necessary they may be adjusted up to the wheels in the closed position. Acquire the 2x Adjustable stop block covers (M130-02) from the installation pack and fit to stopper both top and bottom, as shown.

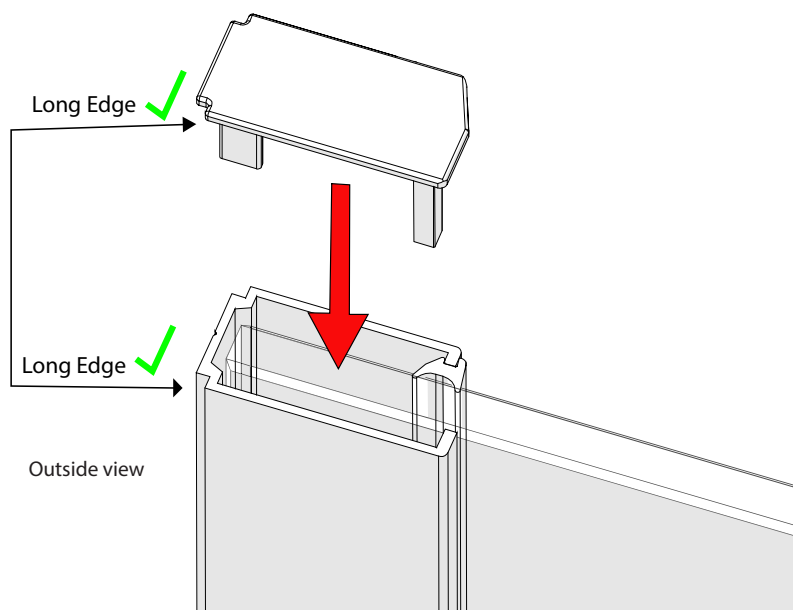


STEP 17. Insert Wallpost Cover Caps

1. Choose applicable wallpost cover cap (81190/91) L or R.

2. Position cover cap above wallpost so that the longer edge of the cover cap matches up to the longer edge of the wallpost and press down to secure.

Ensure to do this for both wallposts

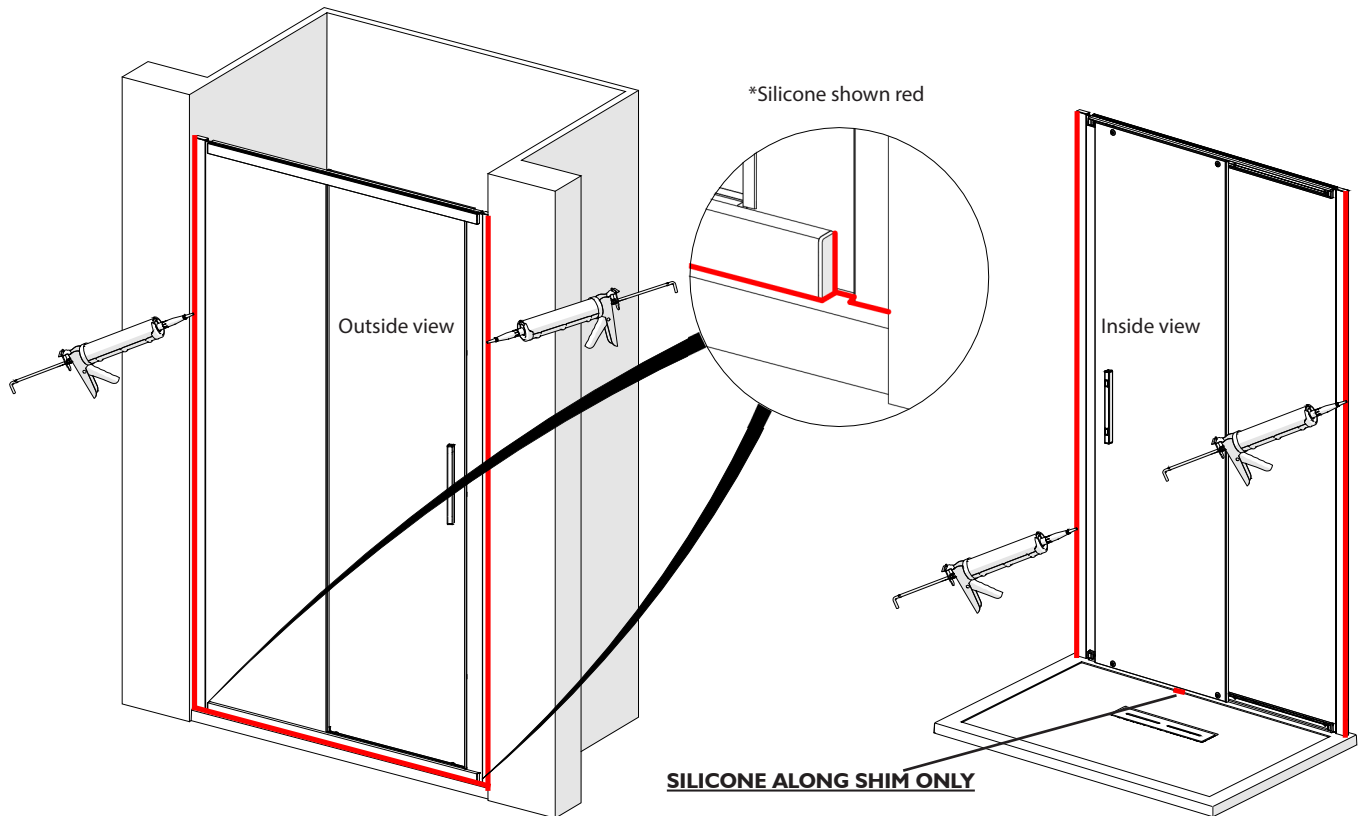


STEP 18. Silicone

1. On the outside, silicone around all three junctions with the wall and tray, and also on the wallposts where the sill meets the uprights. Seal up both ends of bottom rail to glass panels, as shown in detail below. On the inside, only silicone along the two vertical junctions with the wall.

2. **Do not silicone seal on the inside of unit (except where shown)**. this can result in leakage problems - please note that, in use, water can penetrate into the extrusions - this has no detrimental effect to the product- however, this water must be allowed to drain out of the extrusions to the inside.

When installed correctly, Kudos guarantee the enclosure will not leak under normal showering use, ie. when the shower head is in it's normal showering position.
N.B. - Using the shower head to clean/rinse down the enclosure does not constitute normal showering use.



STEP 19. Wait 24hr

1. Allow 24 hours before using the shower.



SUPPLEMENTARY STEPS FOR HANDING OF THE DOOR

Important

THESE INSTRUCTIONS ARE FOR THE PURPOSE OF CHANGING THE SIDE FROM WHICH THE DOOR WILL OPEN SHOULD THIS BE REQUIRED. IN WHICH CASE THEY SHOULD BE FOLLOWED BEFORE PROCEEDING WITH THE INSTALLATION INSTRUCTIONS. IF YOU DO NOT REQUIRE TO CHANGE THE OPENING SIDE TO THE OPPOSITE SIDE PLEASE IGNORE THESE INSTRUCTIONS AND REFER DIRECTLY TO THE INSTALLATION INSTRUCTIONS.

STEP 6b. Fit Inline Panels

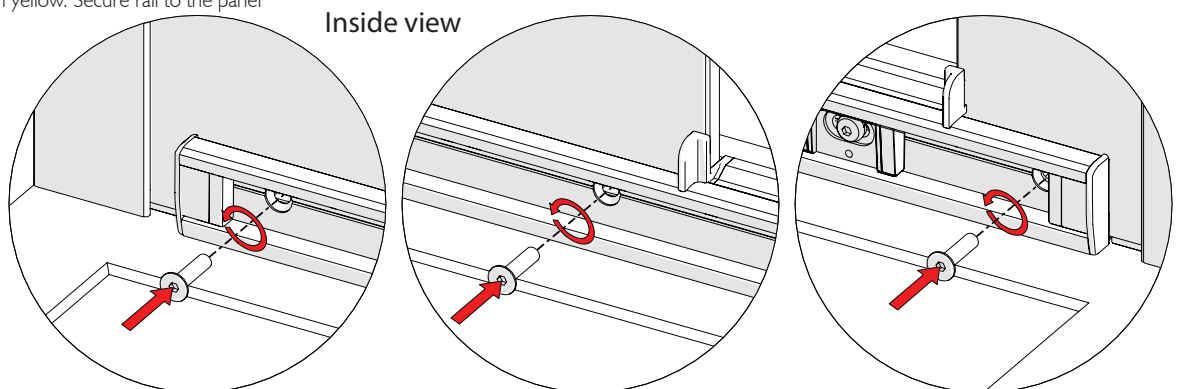
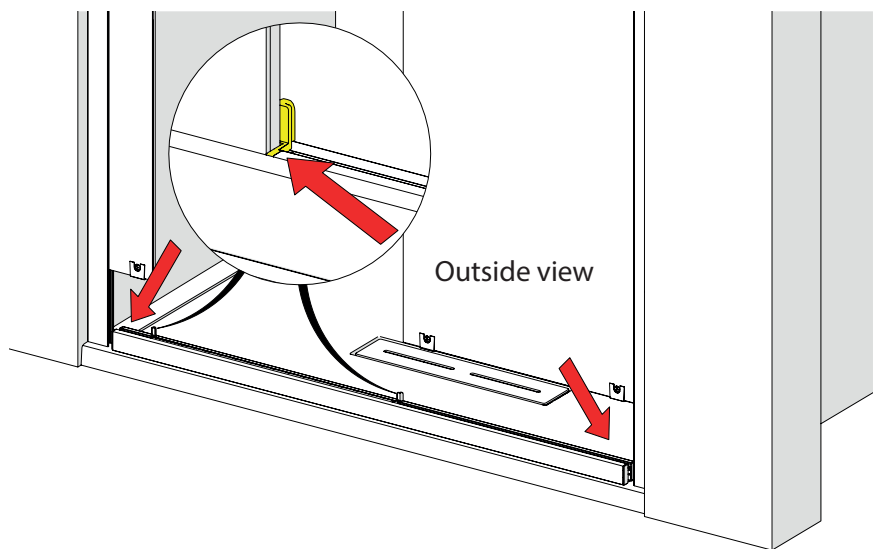
1. Depending on handing required position the correct rail onto tray centrally in between the side panel and the wallpost (**left hand access shown**).

2. Slide the wide glass panel and then down into the recess of the bottom rail then slot into the corner seal. Ensure the glass is tight up against the clear plastic end cap, as shown in yellow.

If tight, lubricate corner seal and glass edges with a damp CLEAN cloth to ease fitment - the water will evaporate over a short period. DO NOT USE silicone spray or any other substance other than water, these will not fully dry out and will compromise the grip and rigidity of the joint.

3. Re-insert the 2x M5 screw into the rail and tighten with the 3mm allen key.

4. Slide the narrow glass panel into the slot of the wallpost and then down into the recess of the bottom rail. Ensure the glass is tight up against the clear plastic end cap, as shown in yellow. Secure rail to the panel with 2x screws.



STEP 15b. Fit Vertical Seals

1. Fit seals to vertical edges of the glass, as shown. Seal B (1926mm) needs to go on the Narrow Fixed Panel. Seal C (1926mm) needs to go on Wide Fixed Panel. Seal D (1989mm & notched) needs to go on the door glass opening end. Ensure the two seals which fit on the fixed panels slot inside the rail clear plastic end caps at top and bottom. These seals must be fitted correctly, if not, the seals will fail prematurely.

