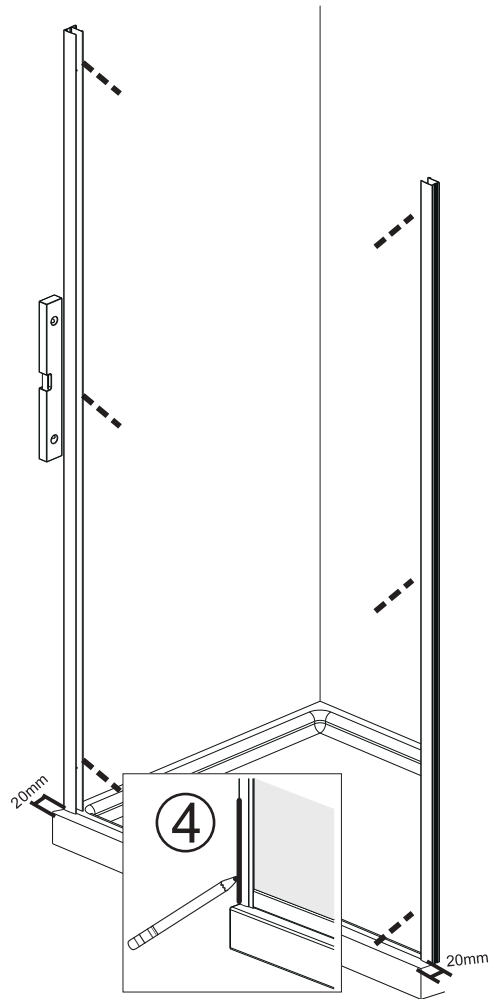
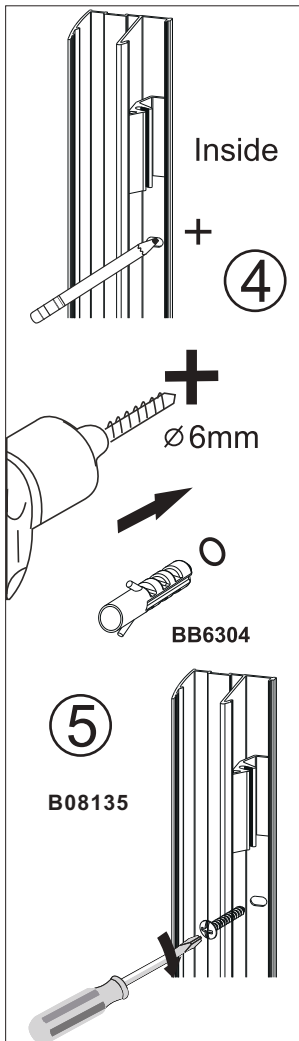
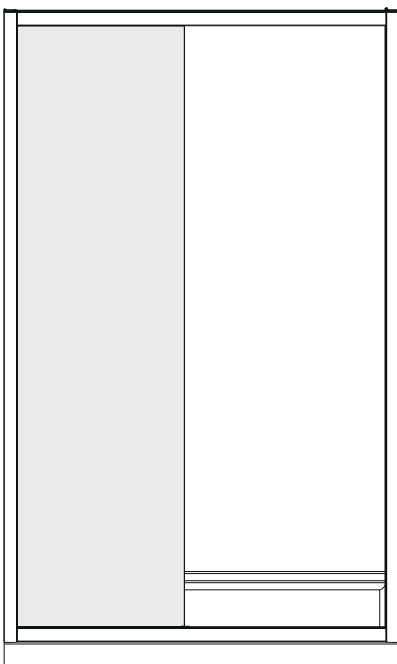


FITTING THE WALL PROFILE



Step 4

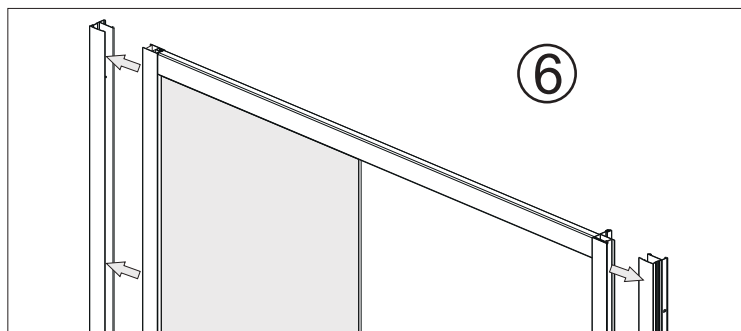
Position the wall profiles on the tray. Step in wall profile 20mm from the front edge of the shower tray. Ensure wall profile is plumb. Mark the position for fixing the wall profile to the wall. Drill with 6mm Masonry drill bit and insert wall plug **BB6304**. **Do not silicone behind wall profile to wall, see sealing section.**



Step 5

Fix the wall profile to the wall with screws **A2403001**. Keep side with fixing holes to the inside.

Note: Second wall profile can be fixed into door frame when lifting onto tray in situations where enclosure is a tight fit.



INSTALL MOVING PANEL

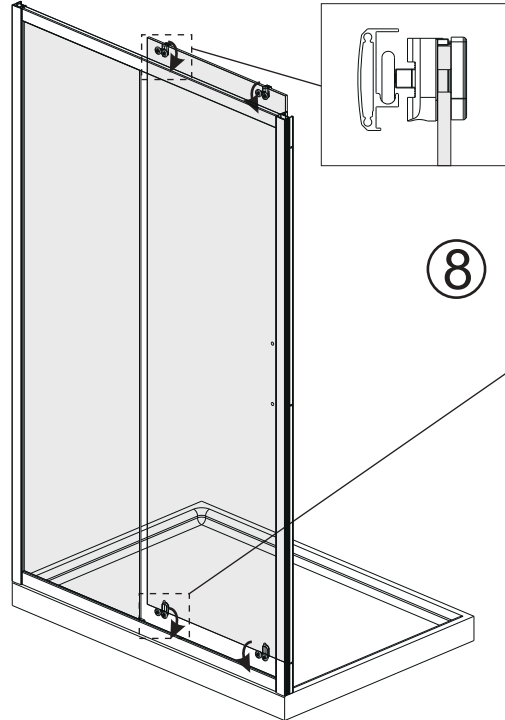
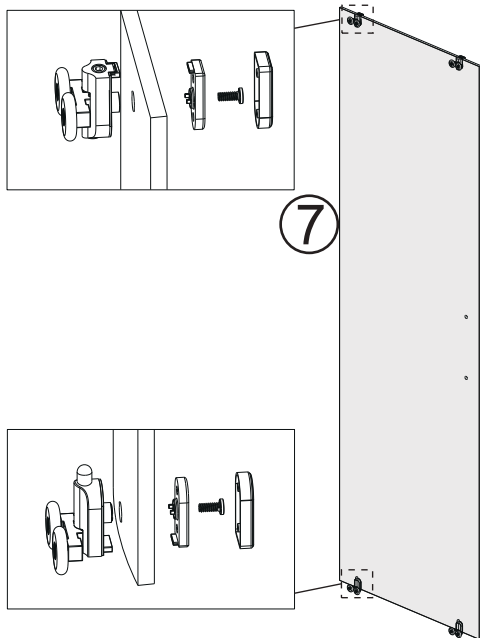
Step 7

Fit the rollers, to the moving panel.

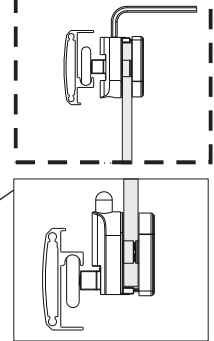
Note: ensure OUTSIDE lable is facing the outside.
Spring loaded rollers are to be located at the bottom.

Step 8

Hang the doors onto the top track, and push the spring loaded button on the bottom rollers and ease the rollers into the bottom rail,



If a gap shows between the magnet seals of the doors when closed, then adjust the screw on top of the top rollers with hex key (B08068) until the gap is closed.



IMPORTANT :

To ensure the door has a smooth rolling action the bottom rollers must be in contact with inner top edge of the bottom profile. adjust top rollers as set out above.

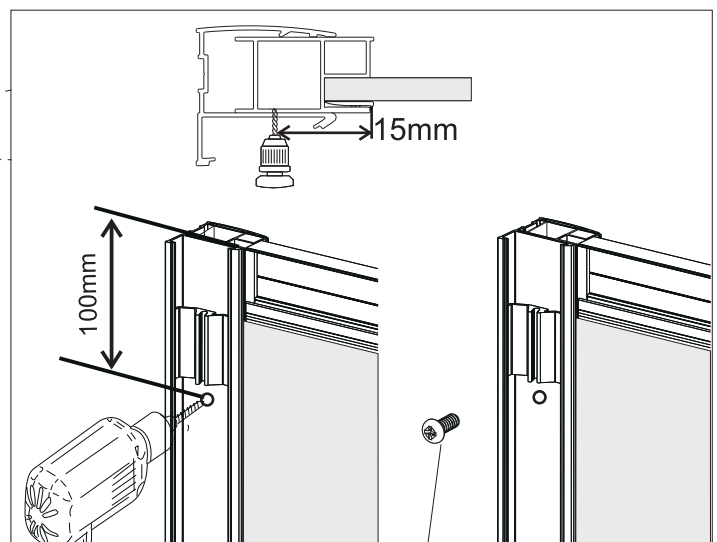
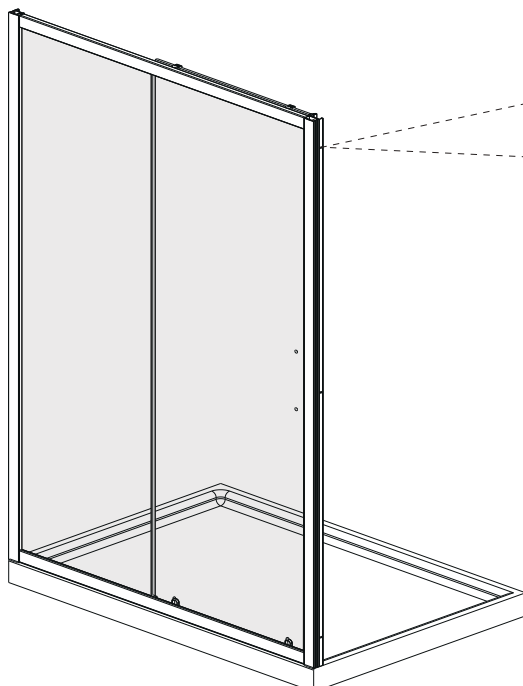
SECURE WALL CHANNEL & UPRIGHT PROFILE

Step 9

Once you have checked that the door opens and the closes correctly, fix the door frame to the wall channels. from inside, drill 3 holes through each wall channel / door frame using 3.0mm drill bit. fix using **A2401201**.

IMPORTANT:

Please follow the right diagram for drilling, so as not to drill into the glass. Ensure there is sufficient overlap between the wall profile and the frame for the screw to fix both profiles.



A2401201

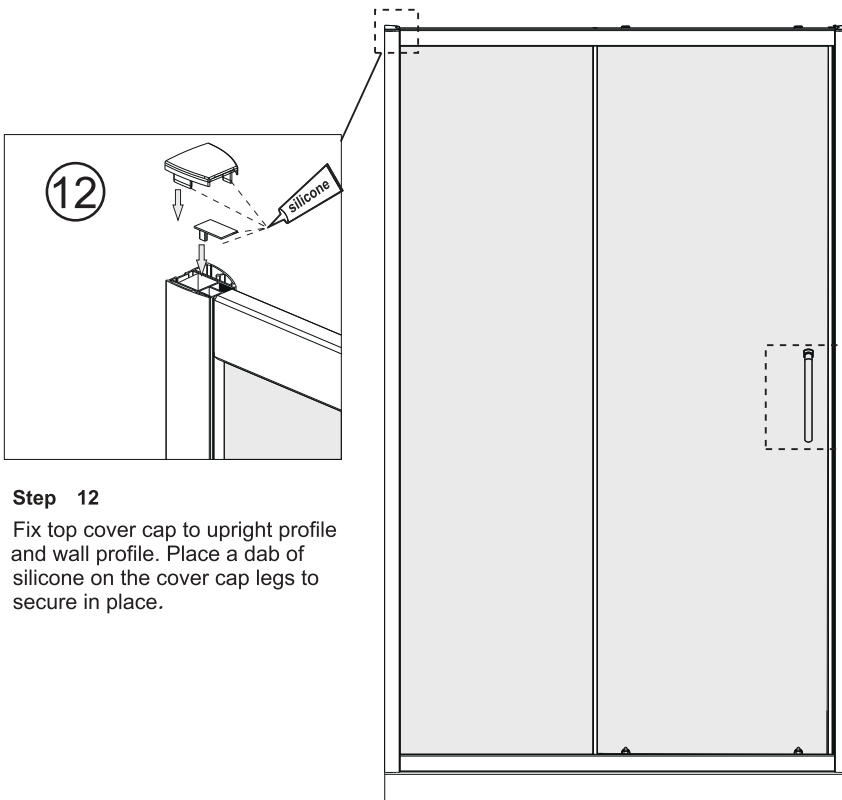
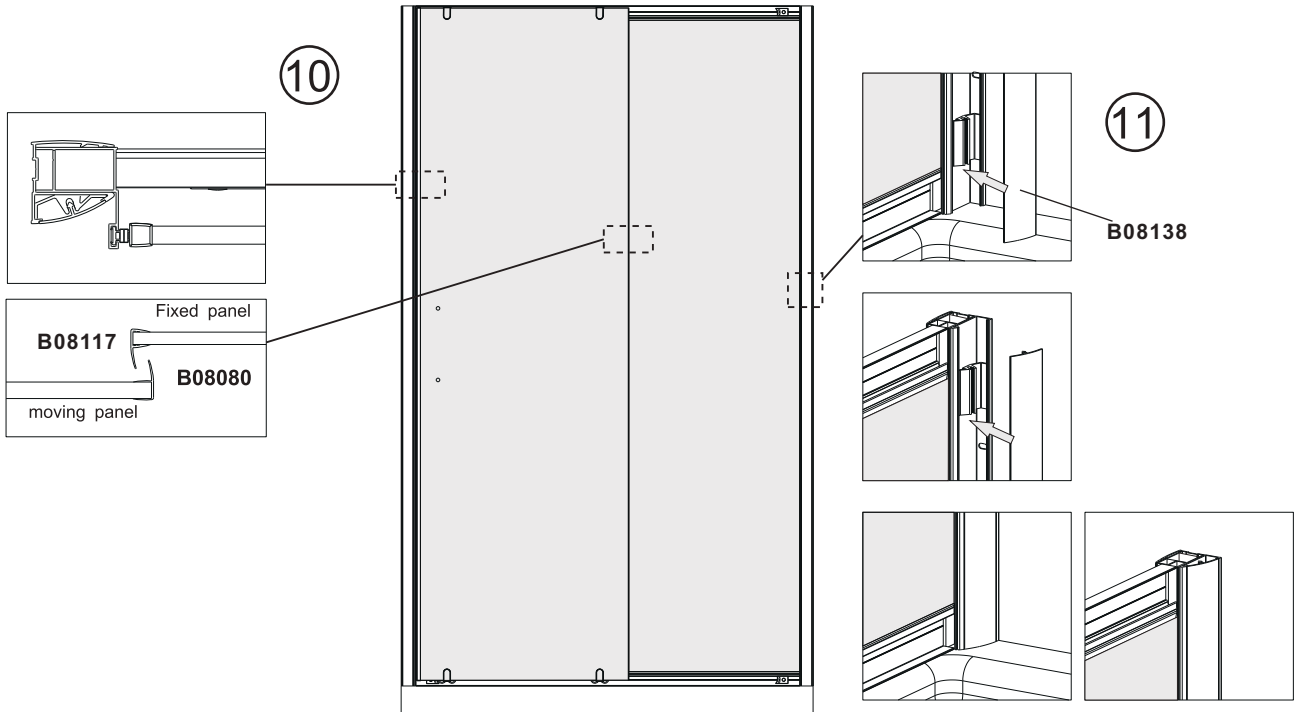
FINISHING

Step 10

Push the upright seals **B08117** onto the fixed panels, and the upright seals **B08080** onto the moving panel. (As shown diagram below).

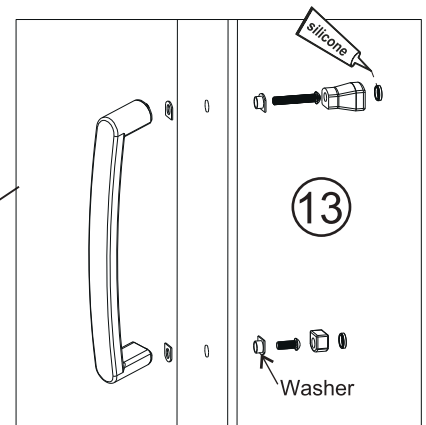
Step 11

Attach cover strip **B08138** to the wall profile.



Step 12

Fix top cover cap to upright profile and wall profile. Place a dab of silicone on the cover cap legs to secure in place.



Step 13

Fit handle to door

SEALING

Step 14

Use a quality silicone sealant to seal the finished door. Seal joints between the upright profiles and the bottom rail.

Sealing Inside

Seal top to bottom on the **INSIDE** between the wall profile and the wall.

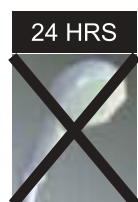
Note: Do not apply sealant on inside of tray.

Sealing Outside

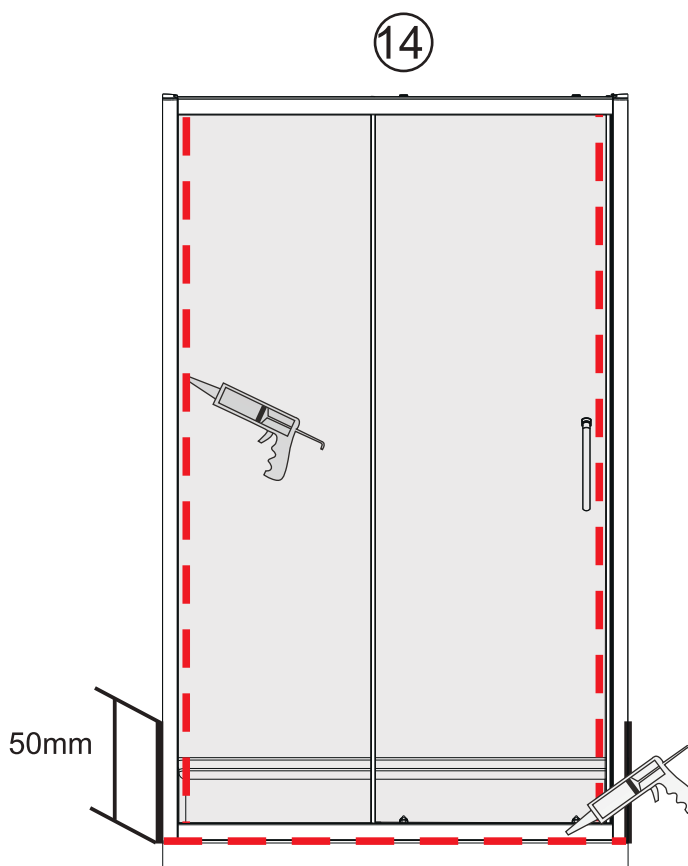
Seal only along bottom rail on the **OUTSIDE** between profile and the tray and approx 50mm up between the wall profile and the wall.

Seal also where wall profile and frame profile overlap 50mm up.

Seal also the joints between the bottom profile and the upright profiles.



DO NOT USE THE ENCLOSURE FOR 24 HOURS AFTER SEALING



TROUBLE SHOOTING GUIDE

DOOR NOT ALIGNING

1. Is the tray level ? (See page 3 of the site installation instructions.)
2. Are the wall profile plumb (Vertically aligned and checked with a spirit level)? (See step 4)
3. Are the rollers properly adjusted? (See step 8)

DOOR LEAKING

1. Are the upright seals fitted correctly? (See step 10)
2. Ensure a sufficient bead of silicone is applied between fixed clip and glass on bottom profile and upright seal is fitted to fixed panel. Then remove excess silicone. (See step 2)
3. Is the unit correctly sealed with silicone? (See step 14)

OTHERS

1. Do the finished measurements on the tray comply with the adjustments listed in the product specifications book?
2. Have the fixed panels been properly secured? (See step 1&2).