

Please read these instructions throughout before installing as incorrect fitting will invalidate the guarantee.

IMPORTANT

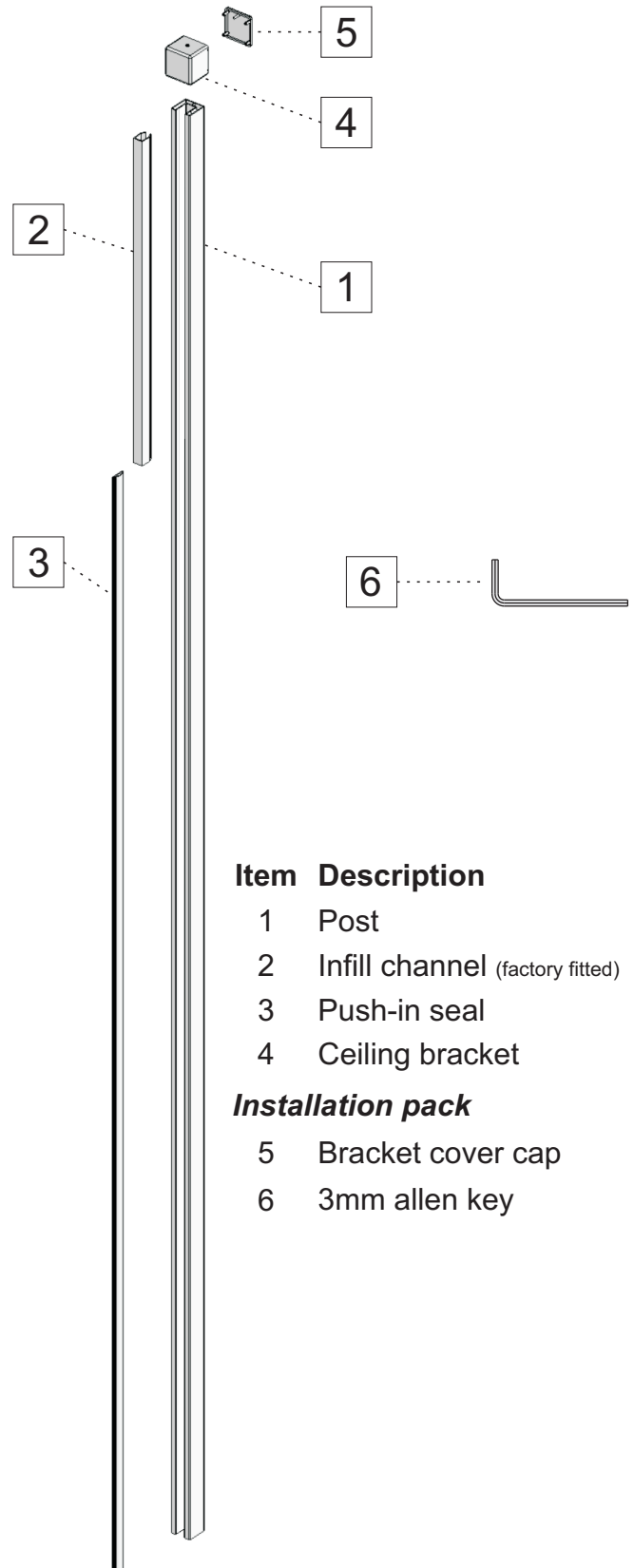
Check appearance of all product - any defects must be reported to your retailer before assembly/installation. Claims for imperfections will only be accepted prior to assembly/installation. Ceiling fixings are not supplied with this product. Fixings used should be suitable for the construction of your ceiling. We **strongly recommend** that a suitable timber nogging is appropriately fitted above plasterboard/lath-type ceilings for fixing screw for optimum stability.

TOOLS REQUIRED

Tape Measure	Spirit level
Hacksaw	3mm Allen Key - <i>supplied</i>
Mains or Battery Drill	Pencil
Screwdriver	Sealant Gun
Silicone Sealant - <i>we recommend clear silicone</i>	



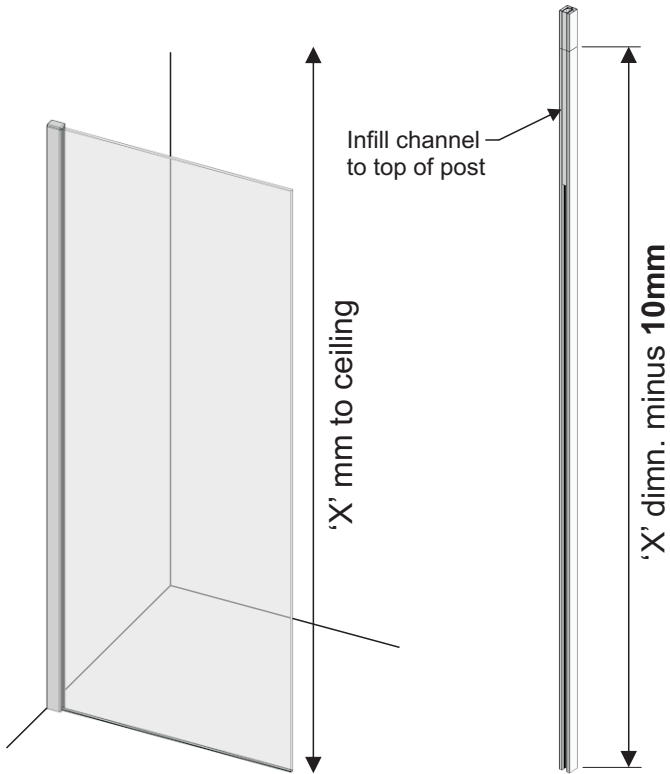
Carefully unpack the product and check contents using details as shown below.



Item	Description	Qty
1	Post	1
2	Infill channel (factory fitted)	1
3	Push-in seal	1
4	Ceiling bracket	1
Installation pack		
5	Bracket cover cap	1
6	3mm allen key	1

THESE INSTRUCTIONS ARE TO BE LEFT WITH THE CONSUMER

1. TRIM POST (if required)

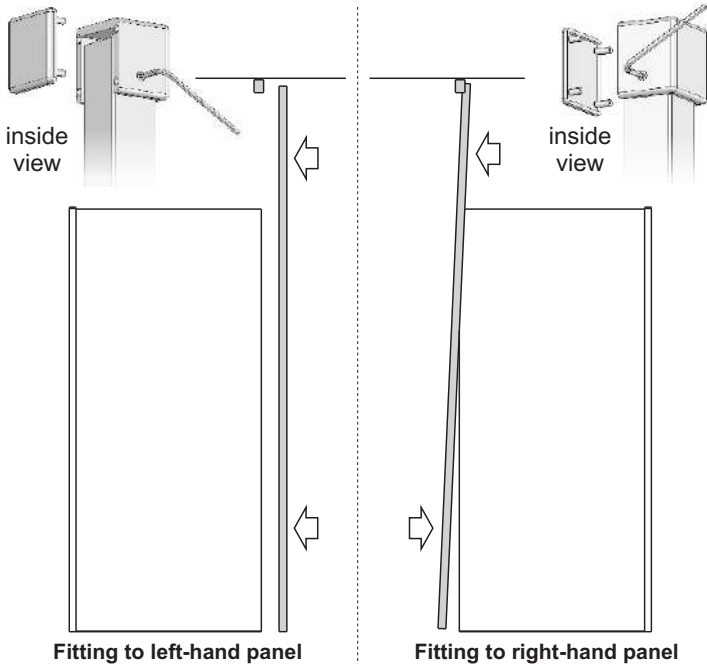


- Measure distance from bottom of glass panel to ceiling where the post will be secured. Deduct **10mm** from this distance and transfer to post.
- Ensuring the factory fitted **Infill channel** is flush to top of post, trim both post & channel to length using hacksaw.

3. FIX BRACKET TO CEILING

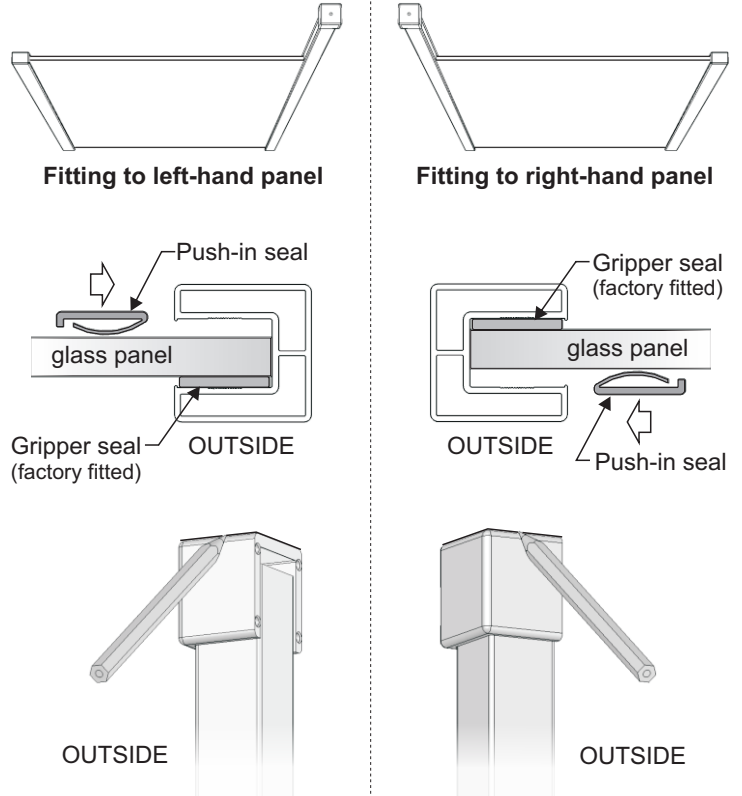
- Re-position ceiling bracket (grub screw to face inside) to ceiling and mark through fixing hole in bracket.
- Secure bracket to ceiling using suitable fixings.

4. FIT POST INTO POSITION



- Fit into ceiling bracket and onto glass edge.
- Secure post to ceiling bracket by tightening bracket grub screw with 3mm allen key provided and fit the bracket cover cap.
- Angle the post and fit into ceiling bracket then straighten post onto glass edge.

2. MARK POSITION OF CEILING BRACKET



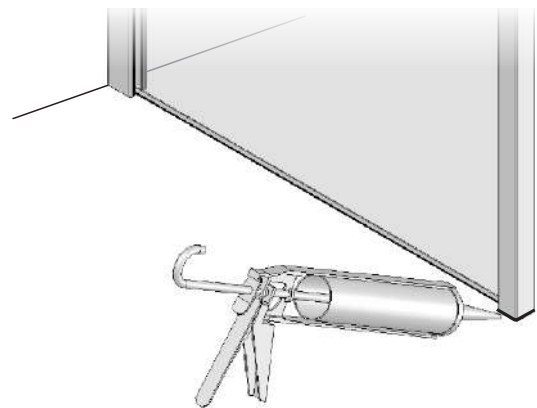
- Fit post fully onto edge of glass panel, temporarily secure in place by inserting the **push-in seal** in between the post and glass, as shown above. Ensure post is vertical. **NB** - Insert seal at **top & bottom only** at this stage.
- Fit ceiling bracket to top of post and carefully mark position onto ceiling. **Ensure grub screw on side of bracket faces to inside of enclosure.**
- Remove ceiling bracket, carefully pull out push-in seal and remove post from glass panel.

5. INSERT PUSH-IN SEAL

- **Fully** insert push-in seal to secure post to glass panel. Ensure seal is inserted as shown in stage2 and bottom of seal is in contact with floor/showertray.

TIP If necessary, seal can be removed by pulling out at top using eg. a 2mm allen key (not supplied) then re-fitted.

6. SILICONE SEAL



Apply silicone sealant to bottom of post to floor/showertray on the outside.
DO NOT apply sealant to bottom of post on the inside of enclosure.

Allow 24hrs for silicone to fully cure before using the enclosure