

Please read these instructions throughout before installing as incorrect fitting will invalidate the guarantee.

### IMPORTANT

Check appearance of all product - any defects must be reported to your retailer before assembly/installation. Claims for imperfections will only be accepted prior to assembly/installation.

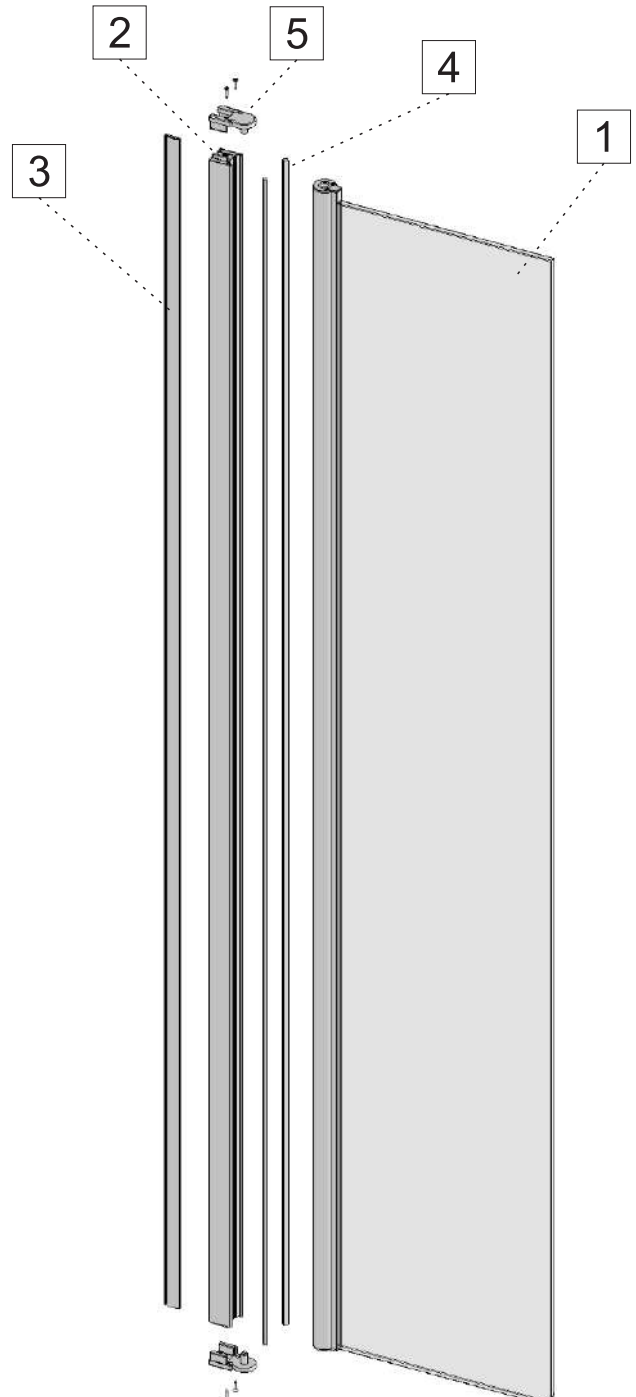
### TOOLS REQUIRED

Sealant gun  
Silicone Sealant - we recommend clear silicone

### GLASS COATING TREATMENT

The glass panel is pre-treated with a protective coating on both sides. Whilst this makes cleaning the glass easier and helps prevent the build up of harmful lime-scale and soap deposits, the glass still needs to be maintained on a regular basis. We recommend the use of a detergent and aroma free glass cleaner, a 50/50 mix of white vinegar and water works well.

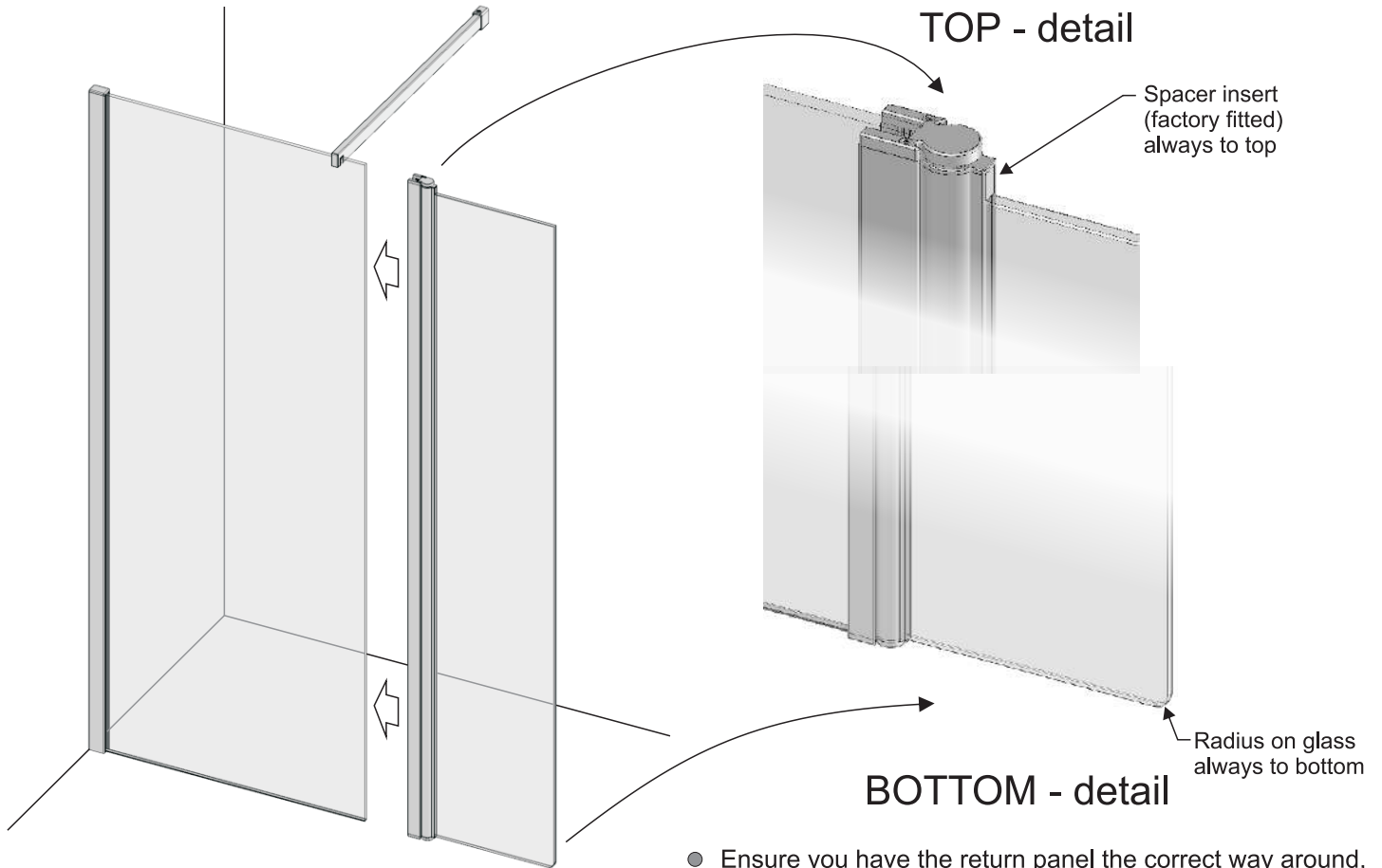
Carefully unpack the product and check contents using details as shown below.



Item	Description	Qty
1	Glass panel (with factory fitted tube)	1
2	Channel (factory fitted to tube)	1
3	Push-in seal	1
4	Brush seals (factory fitted)	2
5	Pivot cover caps (factory fitted)	2

**THESE INSTRUCTIONS ARE TO BE LEFT WITH THE CONSUMER**

## 1. FIT RETURN PANEL TO GLASS PANEL

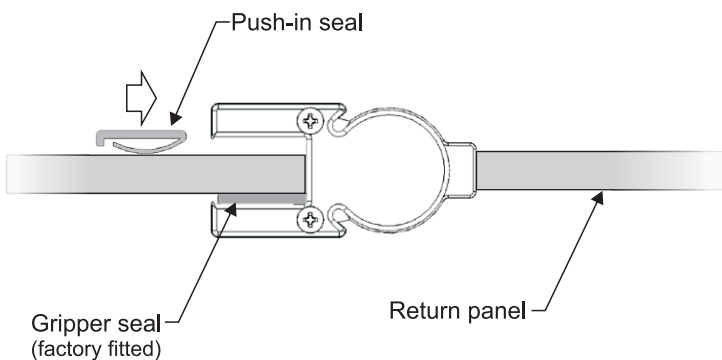


The hinged return panel is unhandled so can be fitted to a 'left-hand' panel as shown or to a 'right-hand' panel.

- Ensure you have the return panel the correct way around, see diagrams above for the top & bottom of return panel.
- Fully Insert the return panel over the edge of the glass panel.

## 2. INSERT PUSH-IN SEAL

### VIEW FROM TOP

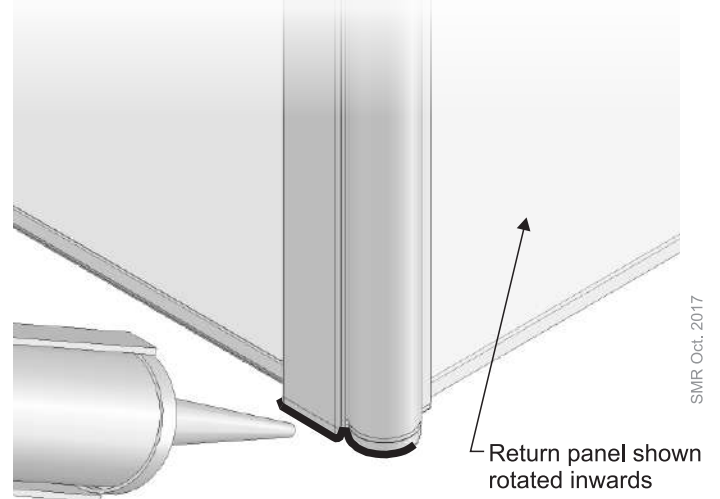


- **Fully** insert push-in seal to secure channel to glass panel. Ensure seal is inserted as shown above and bottom of seal is in contact with floor/showertray. Care must be taken to ensure the return panel is always held safely in place when inserting the push-in seal.

**TIP** Rotate return panel at right angles to main glass panel when inserting push-in seal.

If necessary, push-in seal can be removed by pulling out at top using eg. a 2mm allen key (not supplied) then re-fitted.

## 3. SILICONE SEAL



Apply silicone sealant around bottom cover cap to floor/showertray on the outside, as shown. **DO NOT** apply sealant around bottom cover cap on the inside of enclosure.

**Allow 24hrs for silicone to fully cure before using the enclosure**

**Notes:** For optimum performance, deflector panel must be angled to inside of showering area when in use.

Do not use deflector panel for hanging towels/garments etc.