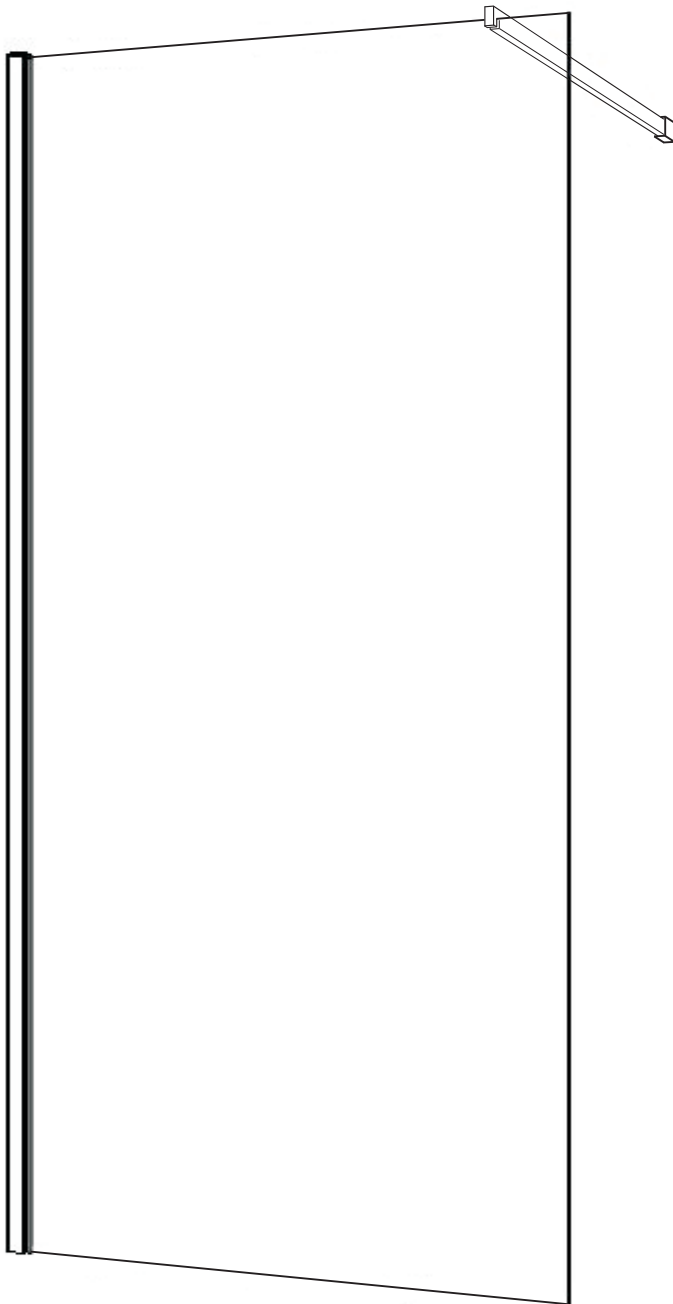


Please read these instructions throughout before installing as incorrect fitting will invalidate the guarantee. These instructions must be read in conjunction with the Hinged Return Panel installation instructions, if purchased.

HEALTH & SAFETY WARNING

DUE TO THE WEIGHT & SIZE OF THE GLASS PANEL(S) A MINIMUM OF TWO PERSONS ARE REQUIRED TO MOVE AND INSTALL THIS ENCLOSURE

Suitable for use in WET ROOMS and on SHOWERTRAYS



THESE INSTRUCTIONS ARE TO BE LEFT WITH THE CONSUMER

IMPORTANT

Check appearance of all product - any defects must be reported to your retailer before assembly/installation. Claims for imperfections will only be accepted prior to assembly/installation

Any claims made under the terms of the Lifetime Guarantee must be reported to your retailer within 21 days of the fault occurring

Check the enclosure adjustment sizes are suitable for your installation

Use care when drilling into the walls to avoid hidden pipes or electric cables

TOOLS REQUIRED

Pozi-head & flat-head screwdrivers

Tape Measure

Spirit Level

Hacksaw

3mm Allen Key - *supplied*

Mains or Battery Drill

6mm Drill Bit

Pencil

Sealant Gun

Silicone Sealant - *we recommend clear silicone*

Wall fixings - *fixings supplied are for masonry use only*

CLEANING - general

For the wall post and fixings use only warm soapy water and damp cloth/ sponge on a regular basis. After cleaning please rinse with clean water to remove any residue.

Do not use abrasive scouring powders, chemicals or aerosol cleaners - these may result in damage to the surfaces, in particular, the plated component parts.

See instructions below for glass cleaning advice.

GLASS COATING TREATMENT

The glass panels are pre-treated with a protective coating on the inside surfaces only. Whilst this makes cleaning the glass easier and helps prevent the build up of harmful lime-scale and soap deposits, the glass still needs to be maintained on a regular basis. We recommend the use of a detergent and aroma free glass cleaner (A 50/50 mix of white vinegar and water works well)

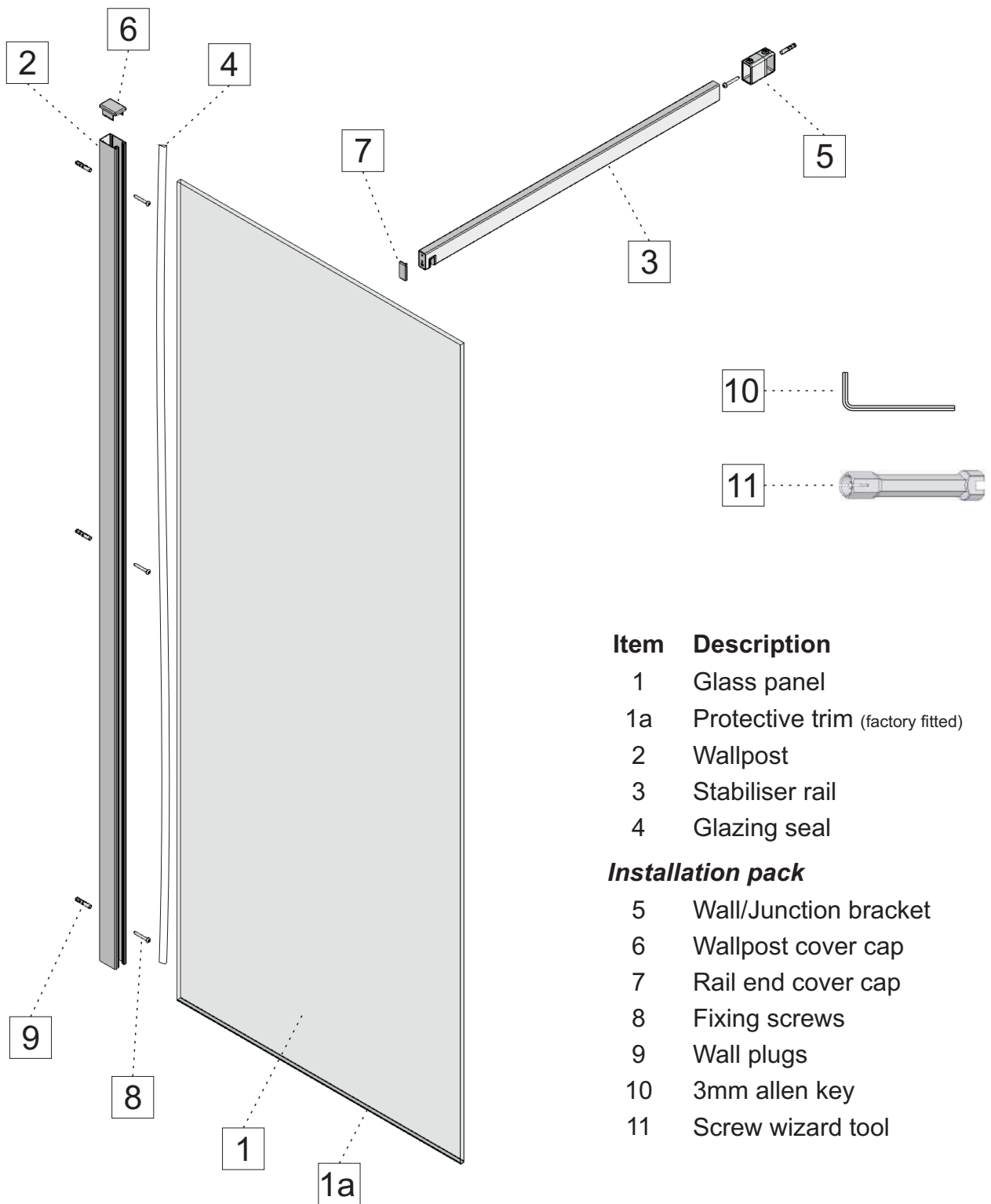
DO NOT use strong detergents, abrasive cleaners or abrasive scrubbing equipment for cleaning, these can damage the coating.

DO use a squeegee to remove remaining droplets of water from glass after showering, any build up of residue can be removed easily using an appropriate cleaner and agitation from soft cleaning equipment

IMPORTANT:

Carefully unpack the product and check contents using details as shown below.

To release wallpost from glass panel - remove glazing seal and store this in a safe place for use later.



Item	Description	Qty
1	Glass panel	1
1a	Protective trim (factory fitted)	1
2	Wallpost	1
3	Stabiliser rail	1
4	Glazing seal	1
Installation pack		
5	Wall/Junction bracket	1
6	Wallpost cover cap	1
7	Rail end cover cap	1
8	Fixing screws	4
9	Wall plugs	4
10	3mm allen key	1
11	Screw wizard tool	1

SHOWERTRAY - if installing

Ensure the top of shower tray is **LEVEL** in **ALL** directions

Once the tray is installed but **before** the wall tiles are fitted, any gap between the tray and the walls **must** be filled with silicone sealant flush with the top of the tray.

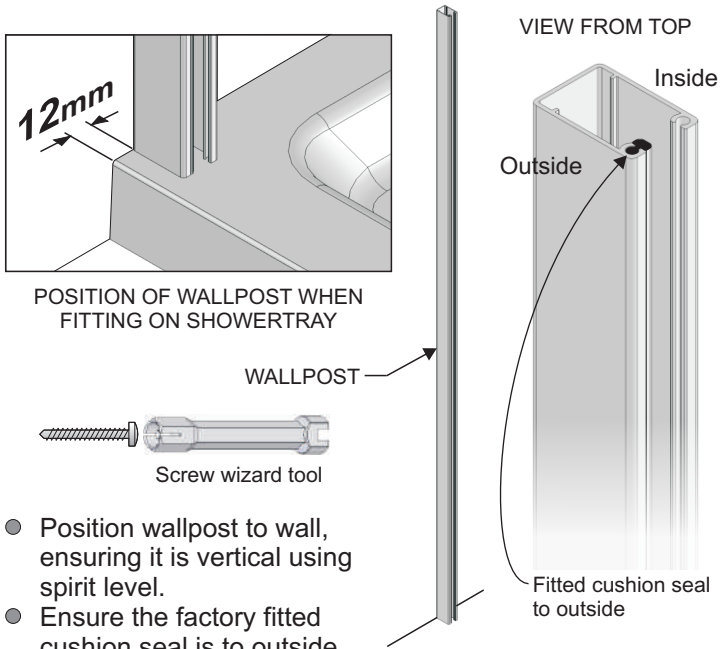
Stage 1

Once the walls have been tiled but **before** the enclosure is installed, the tiles **must** be silicone sealed to the tray all of the way around in one continuous bead.

Failure to follow these instructions will result in leakage problems

Stage 2

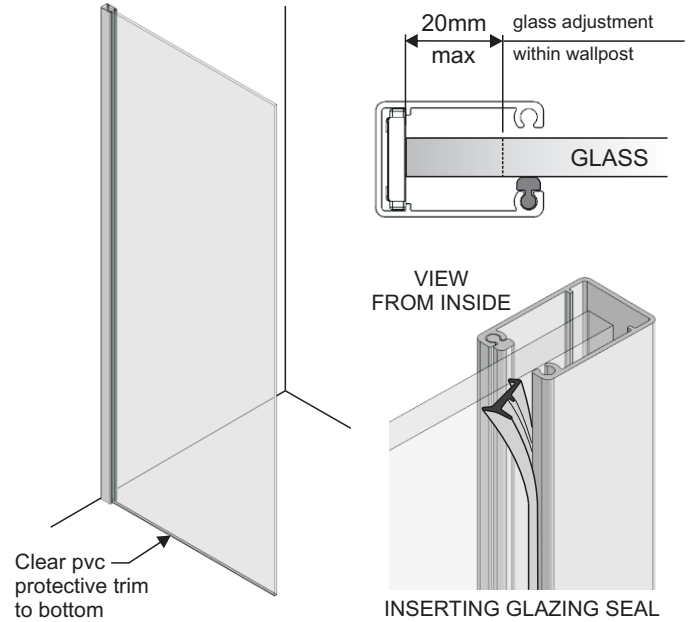
1. FITTING WALLPOST TO WALL



- Position wallpost to wall, ensuring it is vertical using spirit level.
- Ensure the factory fitted cushion seal is to outside as shown.
- Mark through 3 pre-drilled slots in wallpost onto wall and remove wallpost.
- Using 6mm drill bit, drill holes in walls to marks made and fit rawplugs supplied or fixings suitable for the construction of the wall.
- Fix wallpost to wall using 3x no.8's x 30mm long pan-hd screws provided - use screw wizard tool to aid location.

TIP Apply a bead of silicone sealant around bottom & centre holes made in wall before fixing wallpost to wall.

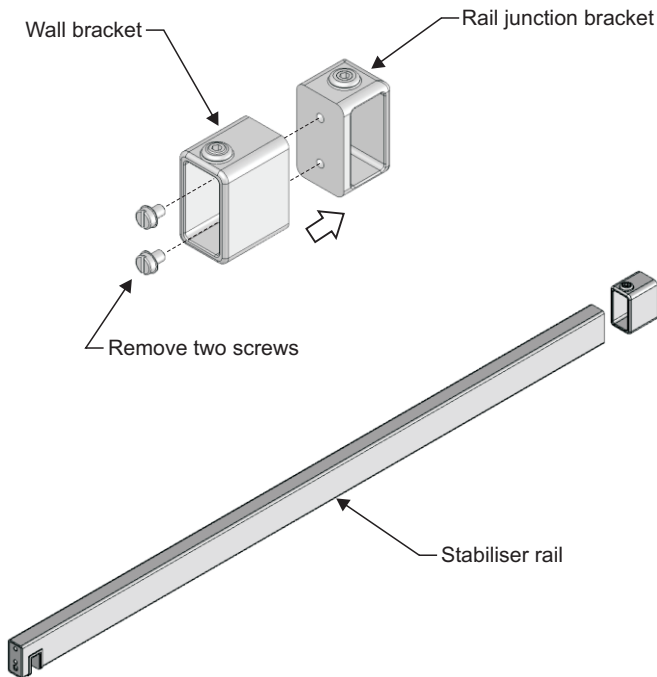
2. FITTING GLASS PANEL



- Glass panels are factory fitted with a clear pvc protective trim to the bottom edge - this edge **MUST ALWAYS BE FITTED TO FLOOR / SHOWERTRAY**.
- Ensure that the glass surface treated with LIFESHIELD faces to **INSIDE** of shower enclosure - see label on glass.
- Carefully fit glass panel into slot in wallpost, ensuring panel is square to wall.
- Secure panel by inserting glazing seal, starting at top and working downwards, trim excess length.

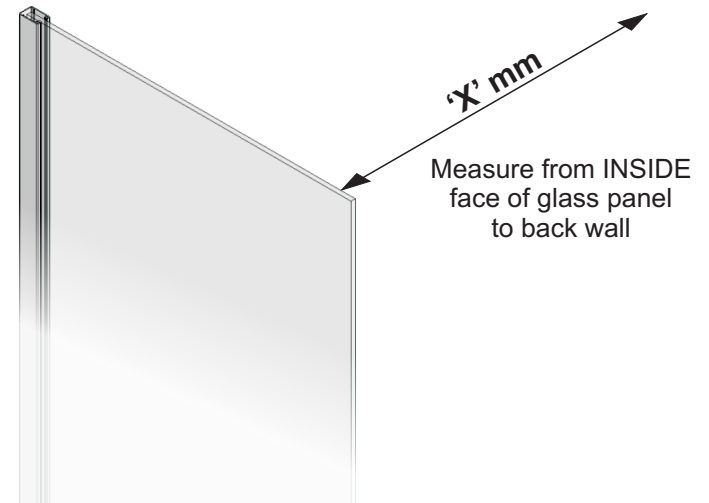
TIP If tight, lubricate glazing seal with water. Do not stretch seal when inserting, because, after cutting to length, the seal will shrink and leave a gap.

3. PREPARE STABILISER RAIL

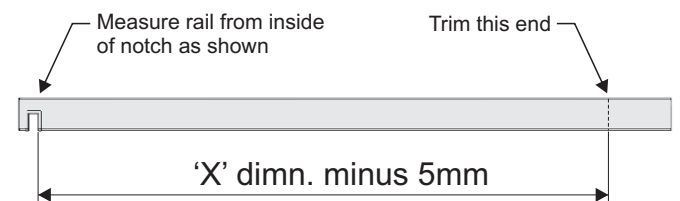


- The rail junction bracket is not required when fitting stabiliser rail to wall.
- Remove the rail junction bracket from the wall bracket by unscrewing the two small securing screws.

4. TRIM STABILISER RAIL (if required)

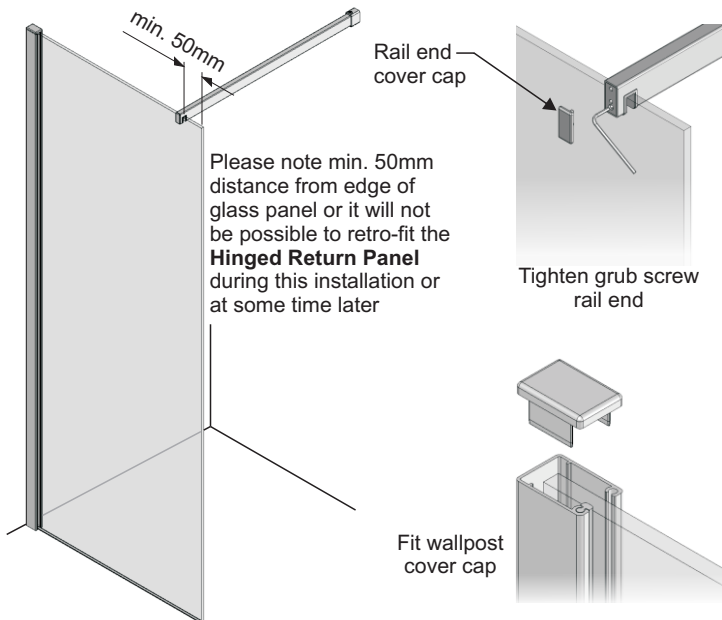


- Measure distance from **INSIDE** face of glass panel to back wall as shown, deduct **5mm** from this measurement and transfer this to the stabiliser rail.
Example: 'X' = 760mm minus 5mm = 755mm to mark on rail



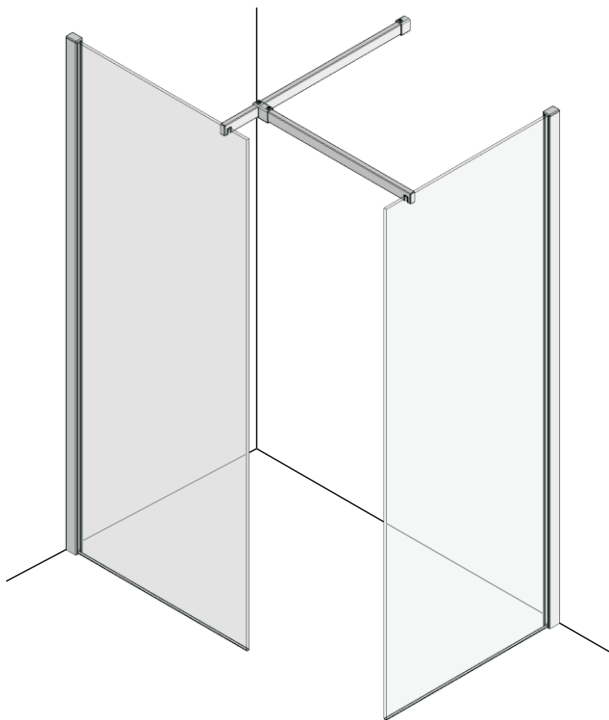
- Trim stabiliser to length using hacksaw.

5. FITTING RAIL & COVER CAPS



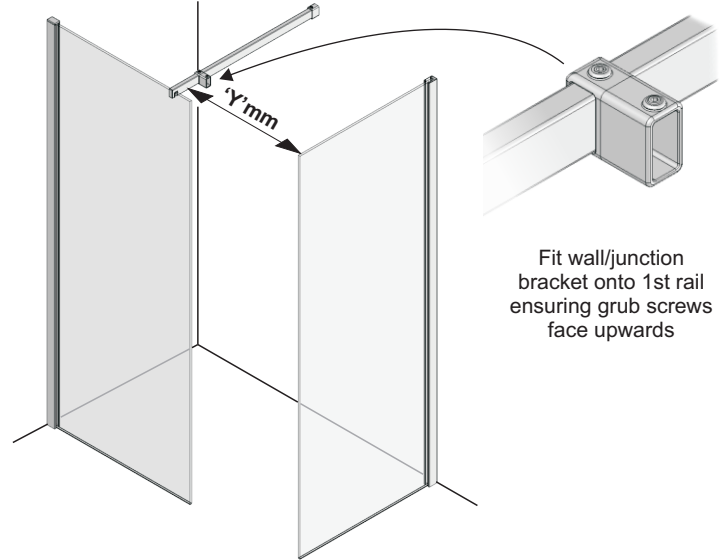
- Fit wall bracket to rail end and fit rail over glass panel. *Care must be taken to prevent bracket from falling onto the floor/showertray during this stage.*
- Mark position of wall bracket onto wall - please ensure rail is both level and square to wall.
- Find centre of mark on wall, drill (6mm) and fit rawlplug. Ensuring the grub screw is facing upwards, fix wall bracket to wall using screw provided.
- Fit rail into wall bracket and onto glass panel, using 3mm allen key provided, tighten grub screw in rail end to glass and wall bracket grub screw to rail. *NB - fit bracket to rail at this stage if fitting a second panel - refer to stage 6.*
- Fit rail end cover cap and wallpost cover cap as shown.

7. FITTING 2nd RAIL & COVER CAPS

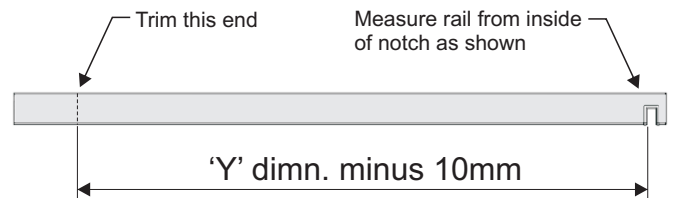


- Fit rail into bracket and onto glass panel, using 3mm allen key provided, tighten grub screw in rail end to glass and wall bracket grub screws to rails.
- Fit rail end cover cap and wallpost cover cap.

6. FITTING 2nd GLASS PANEL

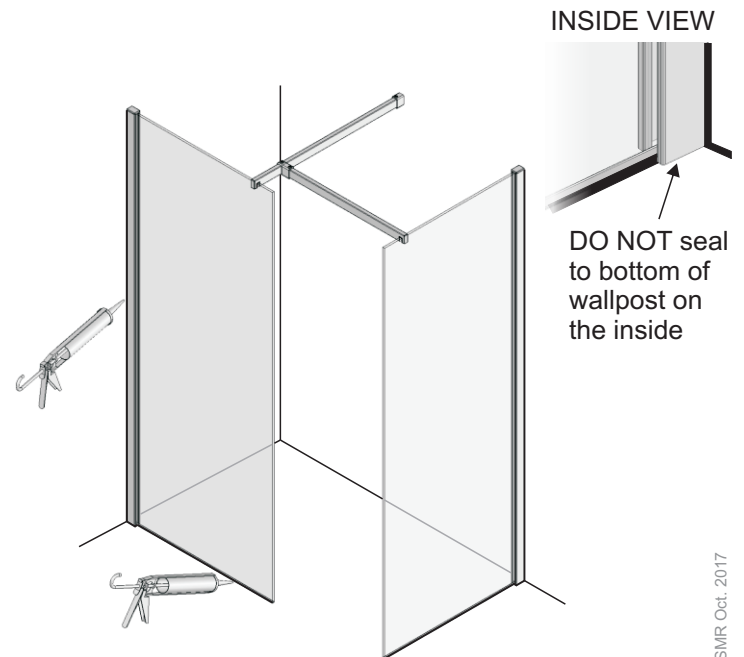


- Fit 2nd wallpost and glass panel as previously described.
- Fit wall/junction bracket to rail as shown.
- Measure distance from INSIDE face of 2nd glass panel to rail as shown, deduct **10mm** from this measurement and transfer this to the 2nd stabiliser rail.



- Trim stabiliser to length using hacksaw.

8. APPLYING SILICONE SEALANT



OUTSIDE Enclosure

Seal glass panels to floor/showertray, seal wallposts to wall & floor/showertray

INSIDE Enclosure

Seal glass panels to floor/showertray, seal wallposts to wall, DO NOT seal bottom of wallpost to floor/showertray

Allow 24hrs for silicone to fully cure before using the enclosure