

## INSTALLATION INSTRUCTIONS

The radiator can only be connected to a central heating system and can not be fitted with a summer electric heating kit as an electric radiator.

**PLEASE NOTE: THE STRAND RADIATORS ARE MADE FROM STEEL AND WHEN CONNECTED TO CENTRAL HEATING SYSTEMS SHOULD ONLY BE USED ON CLOSED SYSTEMS CONTAINING A RUST INHIBITOR.**

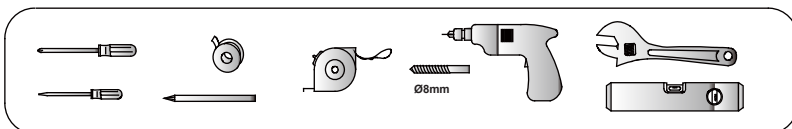
- review instructions carefully before installation
- installation should be completed by a suitably qualified person
- please dispose of packaging in a responsible manner

### PLEASE NOTE:

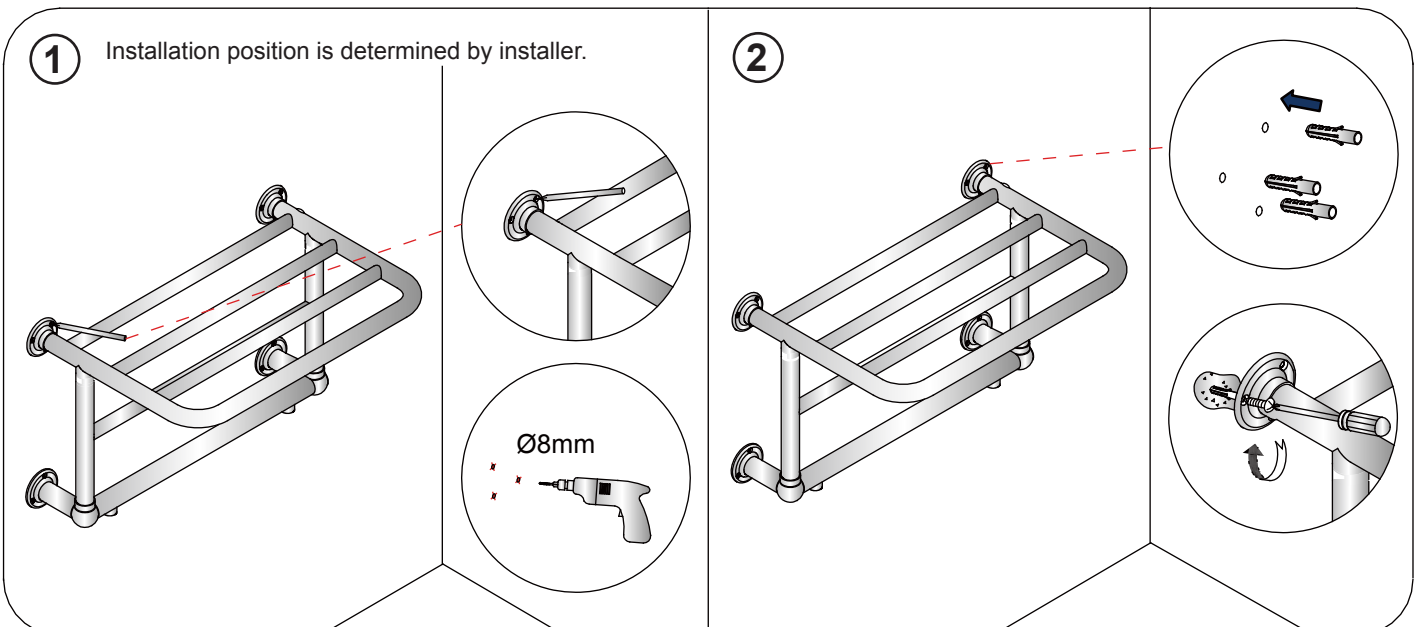
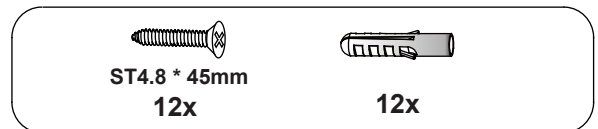
- This product can only be used at  $PN \leq 1\text{MPa}$  (10Kg/cm, 10Bar). It should only be filled with a water mixture containing a rust inhibitor, and at a temperature below  $100^{\circ}\text{C}$  (or  $212^{\circ}\text{F}$ ). See table below for installation requirements.
- If the temperature exceeds  $48^{\circ}\text{C}$  (or  $120^{\circ}\text{F}$ ), please install a warning sign near the product to avoid burning or scalding accidents.
- If the product is not used for a period during which ambient temperature drops below  $5^{\circ}\text{C}$  (or  $41^{\circ}\text{F}$ ), please drain the water out of the radiator to avoid oxidization.
- For prolonged usage and safe operation please check product at regular intervals.

Filling	Pressure	Temperature	Remarks
Water mixture containing a rust inhibitor	$PN \leq 1\text{Mpa}$	$0^{\circ}\text{C} \leq t \leq 100^{\circ}\text{C}$	If ambient temperature drops below $1^{\circ}\text{C}$ , drain out the water to prevent damage from freezing.

### Tools required:

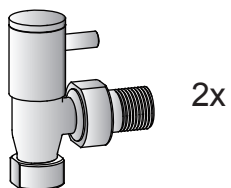


### Parts supplied:

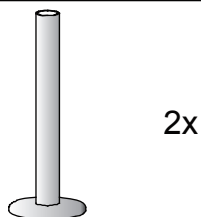


## Heated with the central heating system

Parts required:

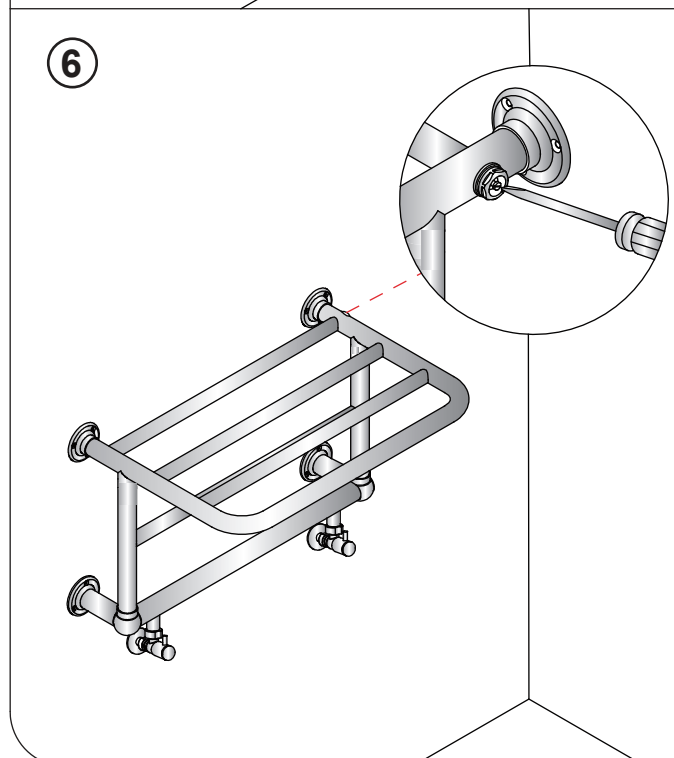
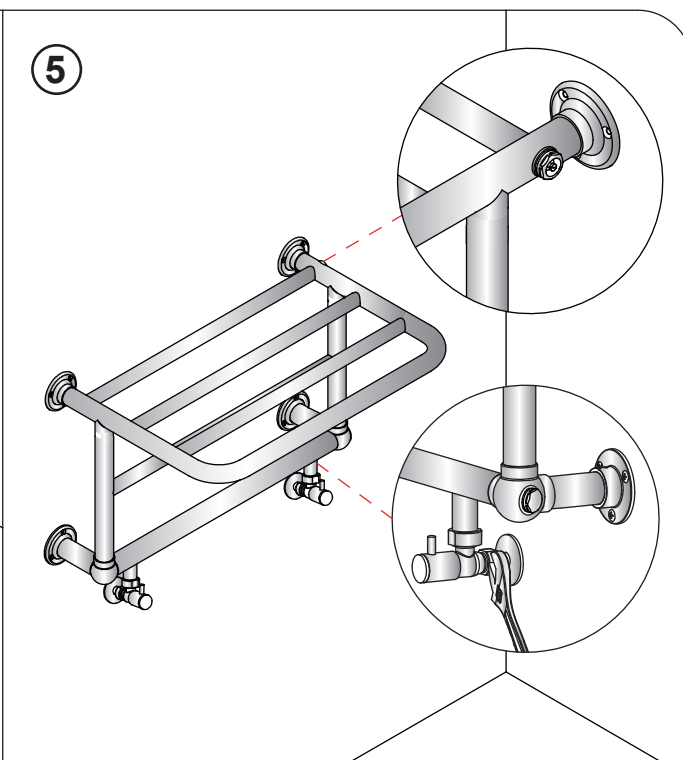
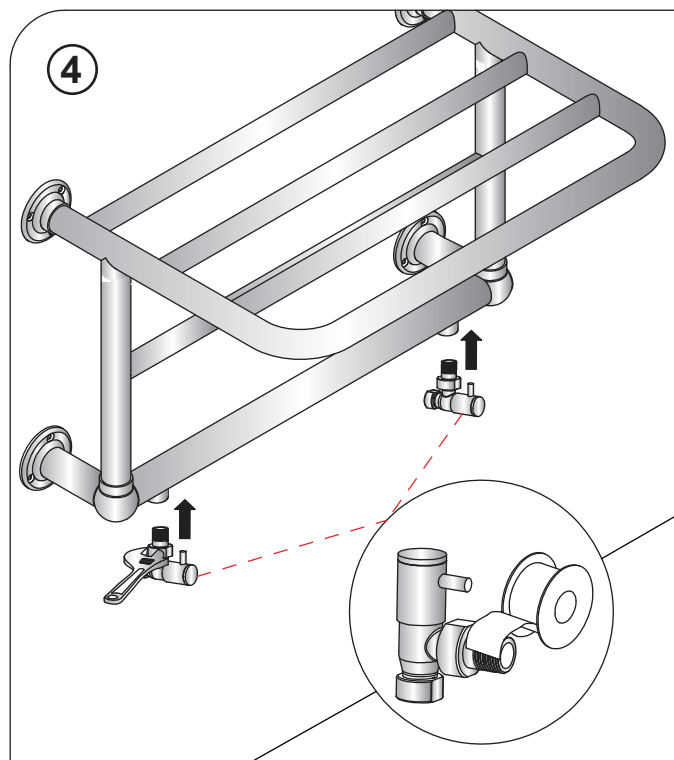


2x



2x

The diagrams of control valve and the connecting pipe as shown above are for reference only, and should be purchased separately.



### After installation ...

- Use a screwdriver to open the air vent, open the inlet valve and let the water rush into the radiator. Check all connections for leaks.
- Once water overflows from the air vent, there is no air in the tube, use a screwdriver to close the air vent. Turn on the outlet valve and the radiator is ready for use.