

# Technical Data Sheet

## Anthem Basin Mixer With Click Waste

TAN111 (Chrome), TAN1103 (Black), TAN1104 (Brass), TAN1105 (Gunmetal)

**TAVISTOCK**  
inspiring bathrooms

### Description

Anthem Basin Mixer With Click Waste

### Code

TAN111, TAN99, TAN1103, TAN1104, TAN1105



Chrome Plated



Powder Coated



PVD Coated



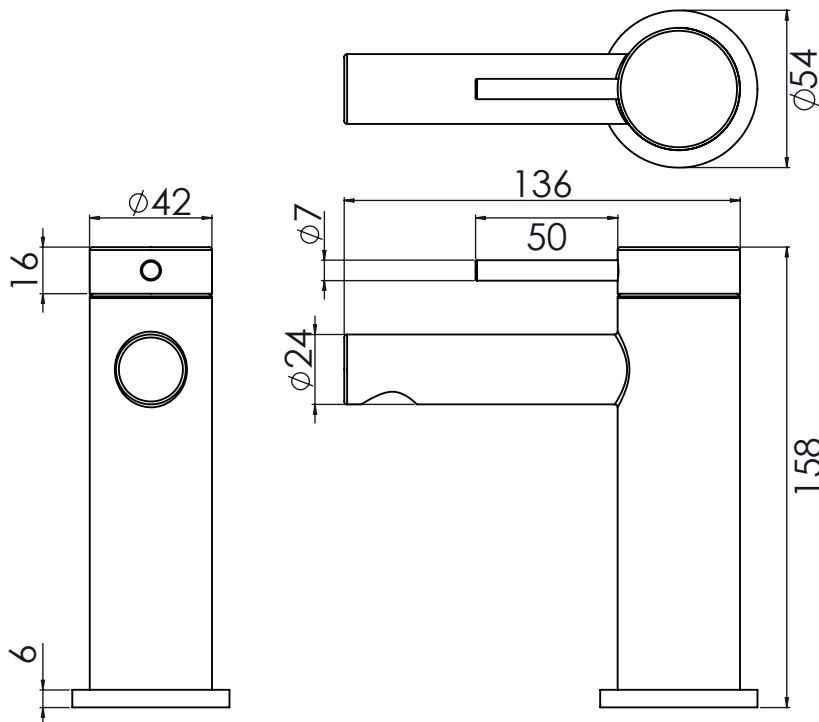
PVD Coated

**FLOW RATE DATA IS TESTED UNDER LABORATORY CONDITIONS: ACTUAL FLOW RATE MAY VARY DEPENDING ON DOMESTIC SUPPLY AND ACCESSORIES**

Pressure:	Flow Rate:
0.2bar	4.6 litres / min
0.3bar	5.4 litres / min
0.4bar	6.2 litres / min
0.5bar	7 litres / min
1bar	9.7 litres / min
2bar	13.7 litres / min

### Dimensions:

Diagrams not to scale. All dimensions in mm (tolerance of +/-5mm)



\*Dimensions are subject to change, customers are advised to measure actual product before commencing installation.

### FAQs

**What is the size of the tap tail connection?** The tap tails have a standard 1/2" BSP fixing.

**What bore is the tap tail?** The tails have a 10mm internal bore.

**What length are the tap tails?** The tails are 300mm in length.

**Does the tap come fitted with an aerator?** Yes, the aerator comes pre-installed but can be replaced.

**What is the recommended minimum pressure?** 0.2 Bar