

Technical Data Sheet

Anthem Wall Mounted Basin Mixer

TAN19 (Chrome), TAN1903 (Black), TAN1904 (Brass), TAN1905 (Gunmetal)

Description

Code

Anthem Wall Mounted Basin Mixer

TAN19, TAN1903, TAN1904, TAN1905

**FLOW RATE DATA IS TESTED UNDER LABORATORY
CONDITIONS: ACTUAL FLOW RATE MAY VARY
DEPENDING ON DOMESTIC SUPPLY AND ACCESSORIES**



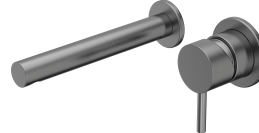
Chrome Plated



Electroplated



PVD Coated

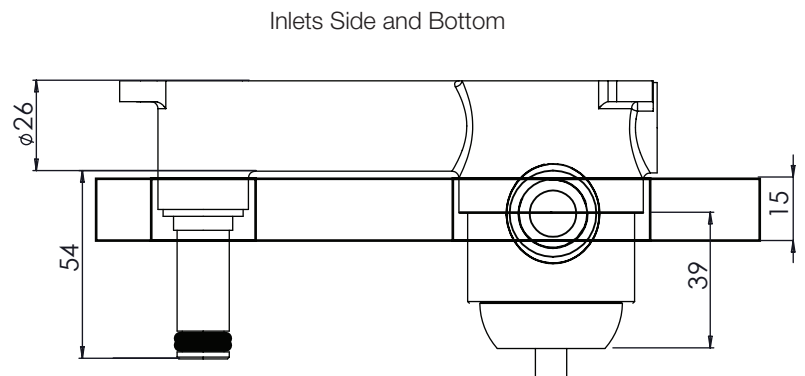
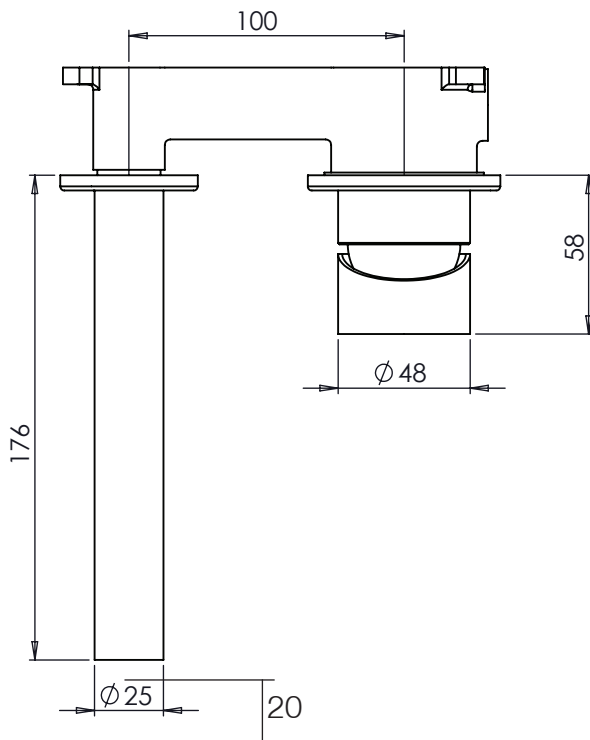


PVD Coated

| | |
|---------------|-------------------|
| Min Pressure: | 0.2bar |
| 0.2bar | 5.4 litres / min |
| 0.3bar | 6.3 litres / min |
| 0.4bar | 7.1 litres / min |
| 0.5bar | 7.9 litres / min |
| 1bar | 10.8 litres / min |
| 2bar | 14.9 litres / min |

Dimensions:

Diagrams not to scale. All dimensions in mm (tolerance of +/-5mm)



*Dimensions are subject to change, customers are advised to measure actual product before commencing installation.

FAQs

What is the size of the tap threaded connection? The threaded inlet is 1/2" BSP

Does the tap come fitted with an aerator? Yes, the aerator comes pre-installed but can be replaced. It is not adjustable.

Does the tap come with a click waste? No, a click waste is not supplied with the wall mounted basin mixer.