

TANGRAM BB SHWR PK

TANGRAM Shower Range Tangram Brushed Brass Concealed Dual Control Shower Pack



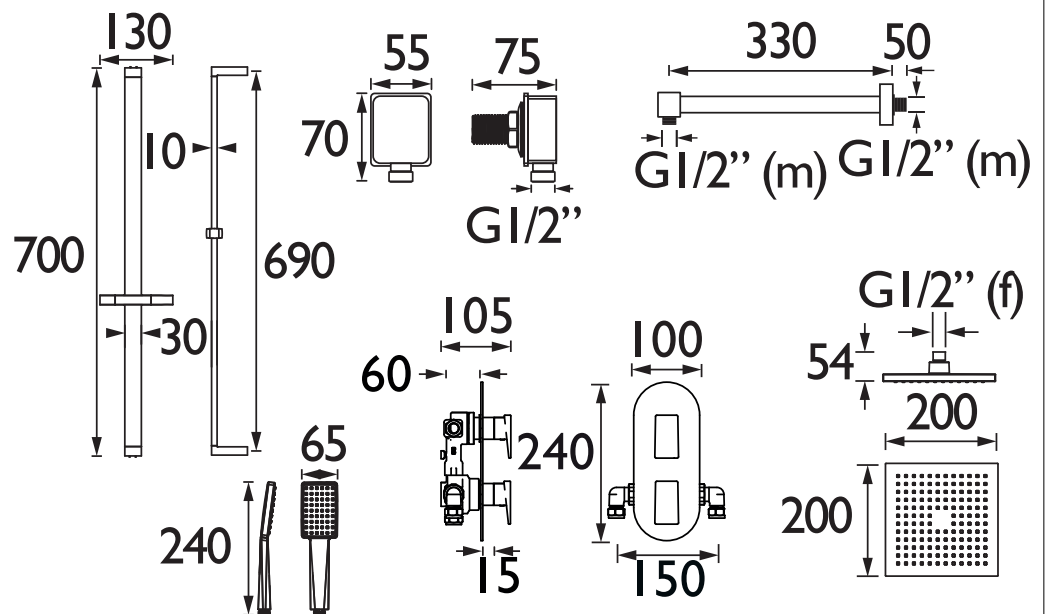
Specification

Finish/Colour:	Brushed Brass
Main Construction Material:	Brass; ABS
No of Controls:	2
Shower Type:	Dual Control
Shower Head Type:	Fixed Head; Adjustable
Valve/Cartridge Type:	Thermostatic Cartridge & 3/4" Ceramic Disc Valve
Maximum Hot Water Supply Temperature °C:	65
Maximum Static Pressure: (bar)	10
Plumbing System Suitability:	Suitable for all plumbing systems
Maximum Dynamic Pressure (bar):	0.2
Maximum Static Pressure (bar):	5.0
Connection Inlet:	15mm Compression
Connection Outlet:	G 1/2"
Isolation Valve Included:	No
Check Valve Included:	Yes

Features:

- All in one box - pack includes shower valve with integral two outlet diverter, slimline 200mm square fixed head with shower arm, and shower kit with an adjustable riser rail plus a single function handset and wall outlet.
- Rub clean handset and fixed head - limescale and debris build-up is quickly and easily removed by rubbing a finger or a cloth over the nozzles.
- On-trend brushed brass finish to make a statement in your bathroom.
- Slim design recessed shower valve will fit into a cavity space as small as 35mm for hassle-free installation.
- Dual control - Flow and temperature are operated separately giving accurate control of both.
- Cartridge can be accessed from the front for easy servicing.
- 15mm inlet connections.
- Fitting depth including plasterboard and tiles is 60mm - 75mm.
- 5-year parts and 1 year labour guarantee for peace of mind.
- Also available in chrome and black.
- Co-ordinating range of Bathroom taps available.

Dimensions (measurements in mm)



Product Certifications:



Flow Rates (l/min)

System Pressure (bar)	0.2	0.5	1	2	3	5
Through Handset (mixed)	1.6	3.5	5.5	8.5	10	11
Through Fixed Head (mixed)	2.5	4.2	5.9	6.5	7.3	8.6
Through Handset (without flow regulators)	1.7	4.9	5.9	8.5	10	11
Through Fixed Head (without flow regulators)	6.6	10.1	14.9	21.5	26.5	34.3

TECHNICAL
DATA
SHEET



BRISTAN

D1