

# PRODUCT DATA SHEET

## Thermostatic BSM Wall and Deck Mounted

Product Code:TAP065



**SCUDO**  
BEAUTIFUL BATHROOMS

0330 124 7290

sales@scudo.co.uk - www.scudo.co.uk

Scudo is the trading name of Harrison Bathrooms Ltd. Whilst we endeavour to ensure that the product information is accurate we accept no liability for any information given. All images are for illustration purposes only. Product images and specification are subject to change. Measurement are in millimetres and are nominal.

### Product Measurements

Product Weight:	2.86kg
Product Width:	284mm
Product Height:	140mm
Product Depth:	N/A
Product Length:	195.5mm

### Product Transportation

Barcode:	5060500640927
Country of Origin:	China
Comodity Code:	8481801190

### Primary Packed Measurements

Packaged Weight:	2.95kg
Packaged Length:	360mm
Packaged Width:	220mm
Packaged Height:	100mm

### Packaging Weight

Card:	0.06kg
Paper:	0kg
Wood:	0kg
Plastic:	0.002kg

### General Information

Construction Material:	Brass
Installation Type:	Deck Mounted
Colour / Finish:	Chrome

### Tap/Shower Attributes

Minimum Pressure:	0.5 bar
Maximum Pressure:	5 bar
Flexible Tails Included:	Yes
Tap Hole Required:	0
Handle Type:	Lever
Swivel Spout:	No
Inlet Connection:	1/2" BSP
Outlet Connection:	N/A
Tap Hole Diameter:	N/A
Tap Type Description:	Mono Mixer
Includes Waste:	No
Valve / Cartridge Type:	Thermostatic Cartridge
Cartridge Spare Code:	spares@harrisonbathrooms.com

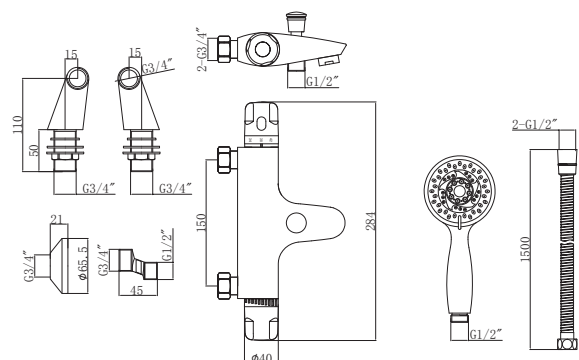
### Flow Rates

0.2bar (l/min)	4.3
0.5bar (l/min)	9.1
1bar (l/min)	12.8
2bar (l/min)	18
3bar (l/min)	22

### Compliance DOP

HBDOC042 / HBDOC043

For Part G Building regulations, compliance see flow regulator section of spec binder.



## Dimensions

(measurements in mm)



### LIFETIME GUARANTEE

We are confident in our products and we want our customer to be, we proudly give a lifetime guarantee on our taps and showers, further details can be found on our website