

# PRODUCT DATA SHEET

## Miami Bath Filler

Product Code: TAP122



**SCUDO**  
BEAUTIFUL BATHROOMS

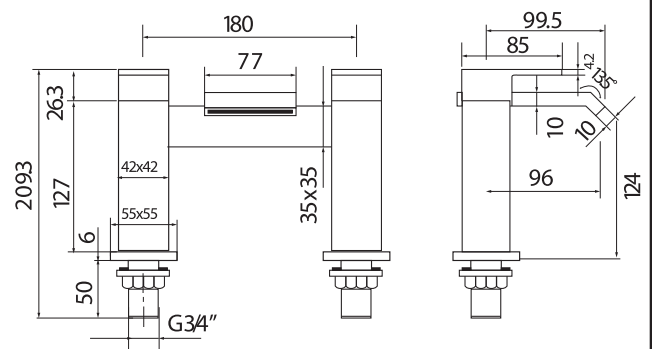
0330 124 7290

sales@scudo.co.uk - www.scudo.co.uk

Scudo is the trading name of Harrison Bathrooms Ltd. Whilst we endeavour to ensure that the product information is accurate we accept no liability for any information given. All images are for illustration purposes only. Product images and specification are subject to change. Measurement are in millimetres and are nominal.

Product Name	TAP122
Product Description	Bath Filler
<b>Product Transportation</b>	
Barcode	5060500641139
Country of origin	CH
Commodity code	8481801190
<b>Product Measurements</b>	
Product Weight (KG)	3.12
Product Width (mm)	228
Product Height (mm)	146
Product Depth (mm)	0
Product Length (mm)	0
<b>Primary Packed Measurements</b>	
Packaged Weight	3.45
Packed Length	25
Packed Width	21.5
Packed Height	14
<b>Packaging Weights</b>	
Card (kg)	0.361
Paper (kg)	12
Wood (kg)	n/a
Plastic (kg)	0.004
Compliance DOP	HBDOC007, HBDOC008

<b>General Information</b>	
Construction Material	Brass
Installation type	Deck Mounted
Colour / Finish	Chrome
<b>Tap / Shower Attributes</b>	
WRAS Approved	No
TMV Approved	No
Minimum Operating Pressure (bar)	0.5
Maximum Operating Pressure (bar)	5
Flexible Tails Included	Yes
Number of tap holes required	2
Handle Type	Lever
Swivel Spout	No
Inlet Connection	3/4 BSP
Outlet Connection	N/a
Tap Hole Diameter (mm)	32
Tap Type description	Manual Mixer
Includes Waste	No
Valve / Cartridge Type	Quarter Turn Cartridge
Cartridge Spare code	T8805-08
<b>Flow Rates</b>	
0.2bar (l/min)	8.8
0.5bar (l/min)	19.3
1bar (l/min)	27.1
2bar (l/min)	38.5
3bar (l/min)	47.2



**Dimensions**  
(measurements in mm)



### LIFETIME GUARANTEE

We are confident in our products and we want our customer to be, we proudly give a lifetime guarantee on our taps and showers, further details can be found on our website.