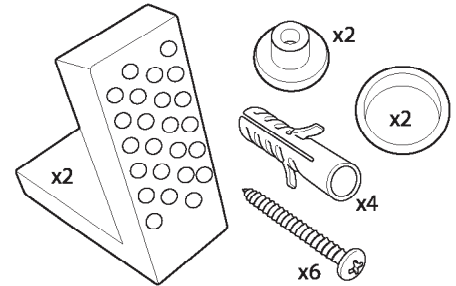


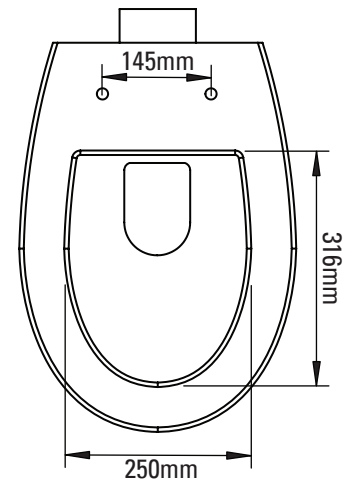
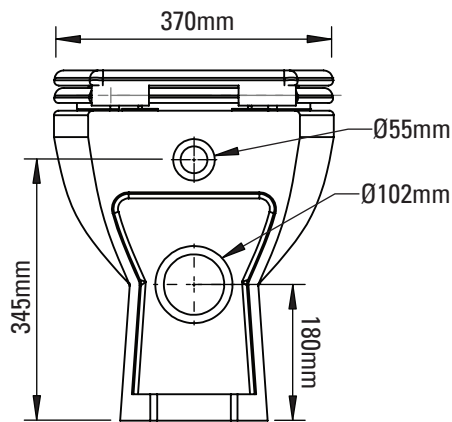
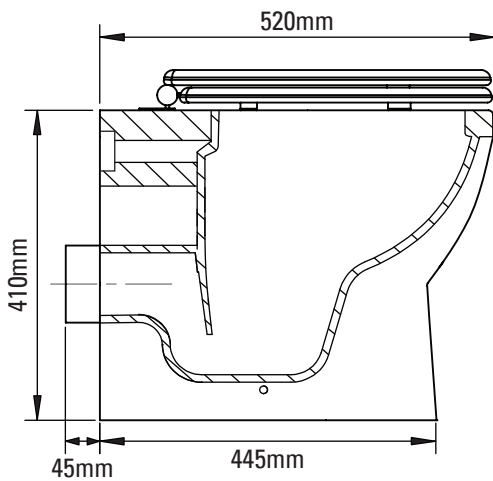
| No. | Description              | Product Code | Fixing Included? | Gross Weight | Net Weight |
|-----|--------------------------|--------------|------------------|--------------|------------|
| 1   | Minerva Seat             | MSCTS        | Yes              | -            | -          |
| 2   | Minerva Back to Wall Pan | MBWPAN       | Yes              | -            | -          |



**Floor Fixing Kit:**



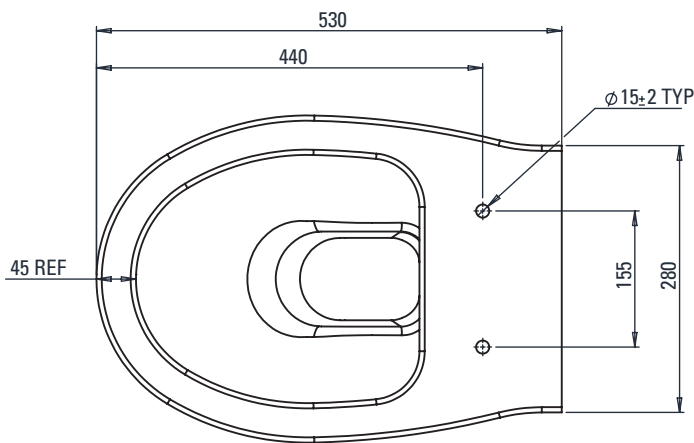
DIAGRAMS NOT TO SCALE  
 ALL DIMENSIONS IN MM  
 TOLERANCE OF ± 5MM



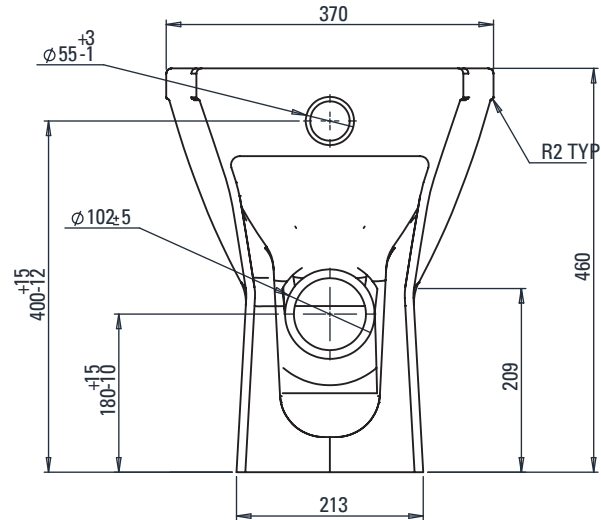
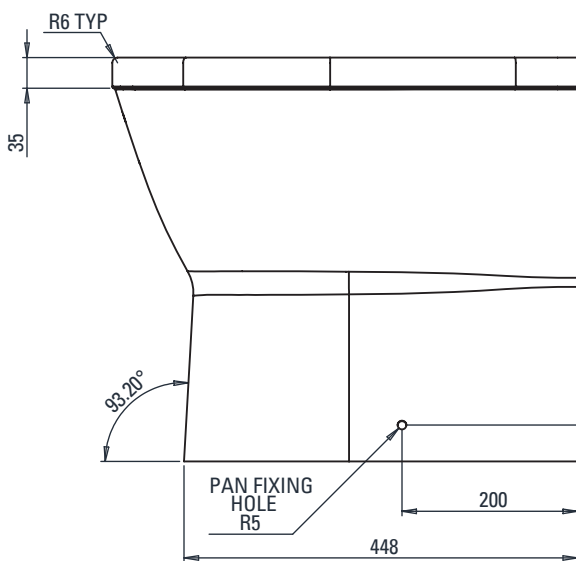
**FAQ's**

Are there any other compatible seats? **Minerva and Juno.**

| No. | Description                    | Product Code | Fixing Included? | Gross Weight | Net Weight |
|-----|--------------------------------|--------------|------------------|--------------|------------|
| 1   | Minerva Comfort Height BTW Pan | MBWCHP       | Yes              | -            | -          |



DIAGRAMS NOT TO SCALE  
 ALL DIMENSIONS IN MM  
 TOLERANCE OF ± 5MM



**FAQ's**

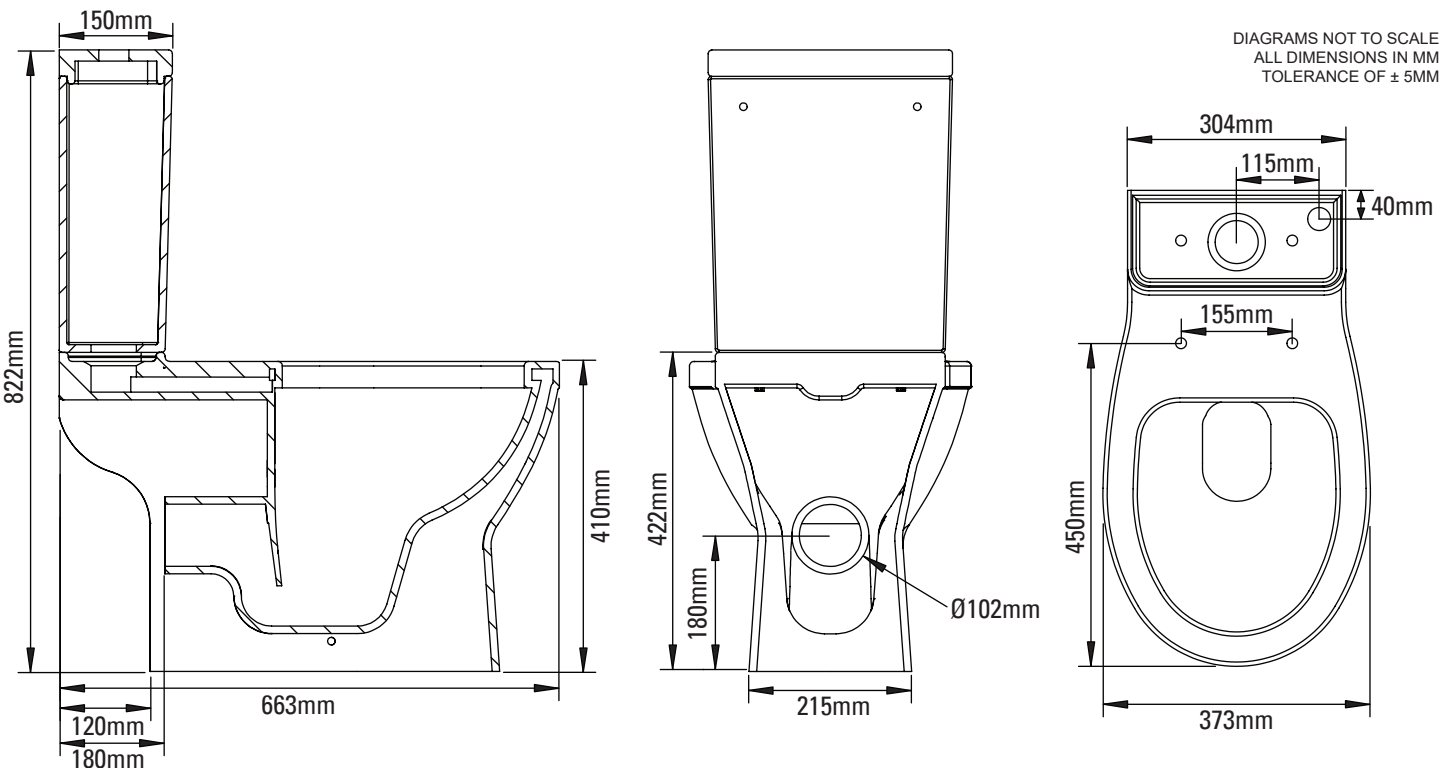
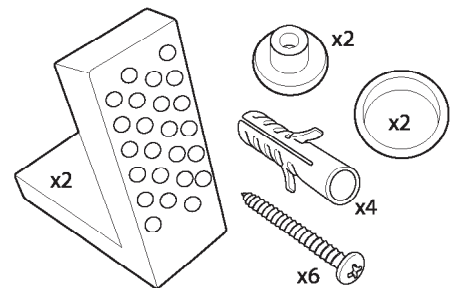
| No. | Description                              | Product Code | Fixing Included? | Gross Weight | Net Weight |
|-----|--|--------------|------------------|--------------|------------|
| 1   | Minerva Cistern inc. Flush Fitting & Lid | MCCTNK       | Yes              | 9.0kg        | 8.5kg      |
| 2   | Juno Seat                                | 8703WSC      | Yes              | -            | -          |
| 3   | Minerva Close Coupled Pan                | MCCPAN       | Yes              | 26.0kg       | 25.0kg     |



**Cistern Flush Settings:**

Full Flush: 4.5L / Reduced Flush: 2.8L  
or  
Full Flush: 6.0L / Reduced Flush: 4.0L

**Floor Fixing Kit:**



**FAQ's**

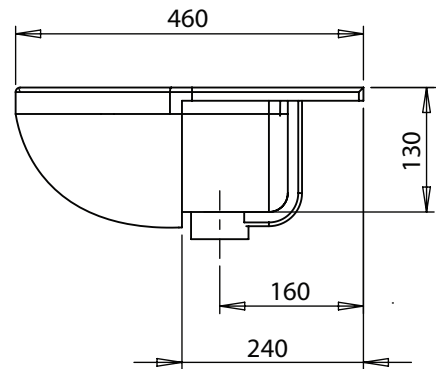
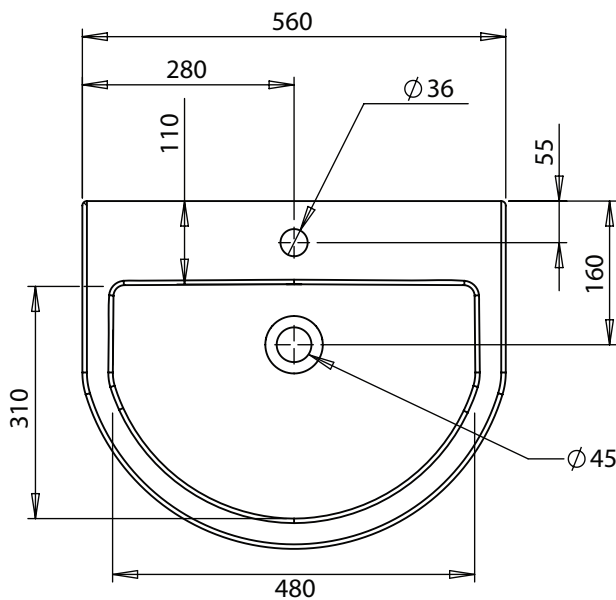
What side is the inlet located? **Right hand side.**

Are there any other compatible seats? **Minerva and Juno.**

Can this pan be used with a side connection outlet pipe? **Yes**

The cistern lid won't shut/the cistern isn't working correctly. **Ensure the inlet and flush valves are set to the correct heights.**

| No. | Description                 | Product Code | Fixing Included? | Gross Weight | Net Weight |
|-----|-----------------------------|--------------|------------------|--------------|------------|
| 1   | 560mm Semi-Countertop Basin | M3SCBAS      | Yes              | -            | -          |



DIAGRAMS NOT TO SCALE  
 ALL DIMENSIONS IN MM  
 TOLERANCE OF ± 5MM

**FAQ's**

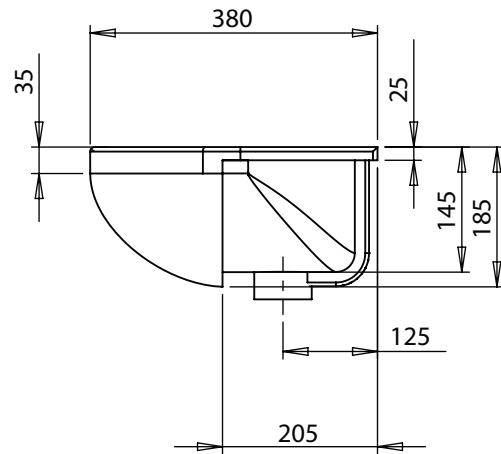
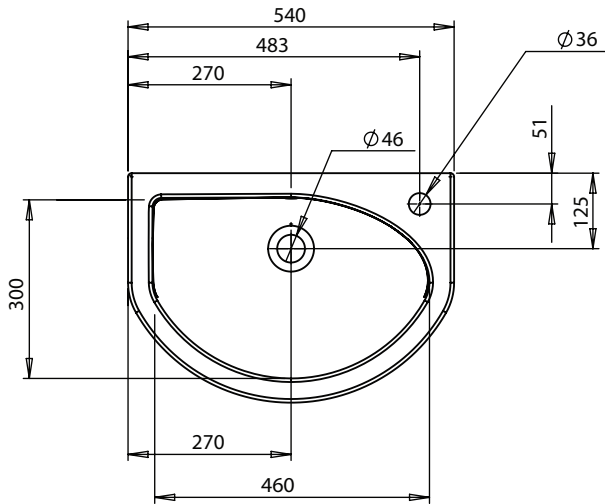
How much water does this basin hold? **9 Litres**

Is a cutting template included? **Yes.**

| No. | Description                          | Product Code | Fixing Included? | Gross Weight | Net Weight |
|-----|--------------------------------------|--------------|------------------|--------------|------------|
| 1   | 535mm Slimline Semi-Countertop Basin | M2SCBAS      | Yes              | -            | -          |



DIAGRAMS NOT TO SCALE  
 ALL DIMENSIONS IN MM  
 TOLERANCE OF ± 5MM

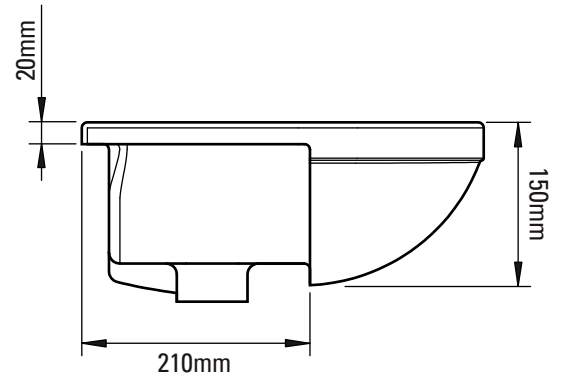
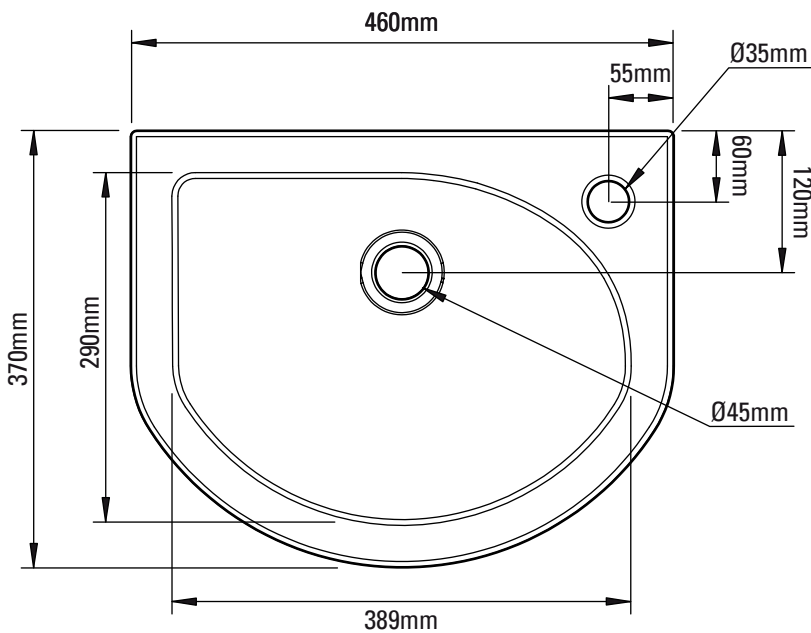


**FAQ's**

How much water does this basin hold? **7.70 Litres**

Is a cutting template included? **Yes.**

| No. | Description             | Product Code | Fixing Included? | Gross Weight | Net Weight |
|-----|-------------------------|--------------|------------------|--------------|------------|
| 1   | Minerva 460mm SCT Basin | MCCTNK       | Yes              | --           | --         |



DIAGRAMS NOT TO SCALE  
ALL DIMENSIONS IN MM  
TOLERANCE OF  $\pm 5$ MM

#### FAQs

Is the basin supplied with a cutting template? **Yes.**