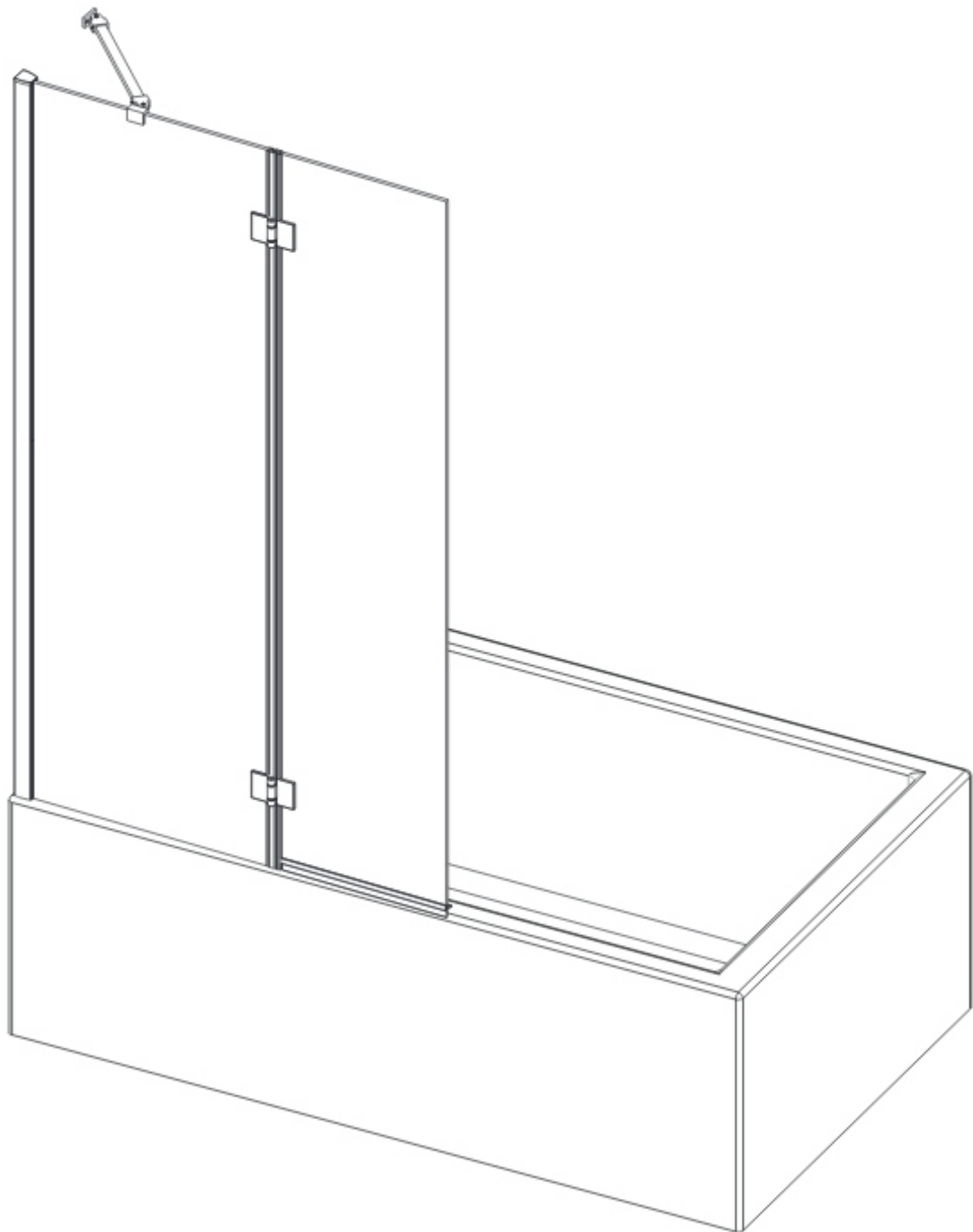


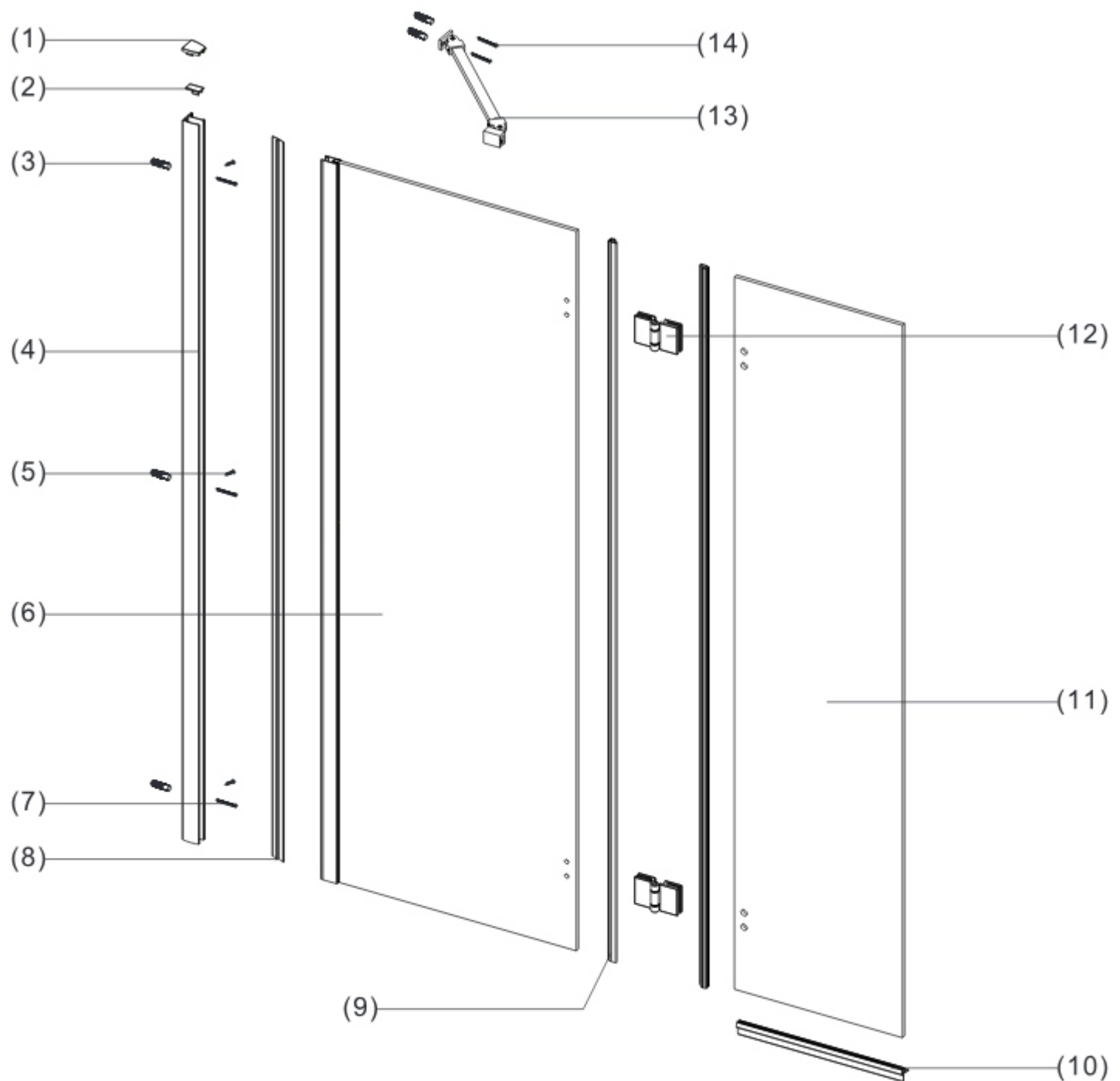
DAWN
THALIA | BATH SCREEN RANGE

OUT PACK BATHSCREEN



ASSEMBLY INSTRUCTIONS - DRAWING

NB: ALL MEASUREMENTS + COMPONENT SIZES QUOTED ARE IN MM.



Parts List			Parts List				
1	N011307 & N011308	Wall Profile Cover Caps	2	8	LK0402010	Wall Profile Cover Strip	1
2	N011381	Upright Profile Cover Cap	1	9	CT0035-8H-GT	Magnet Seals	2
3	N01135	Wall Plugs	5	10	JT0004-8-16/14TS	Bottom Seal	1
4	LZ2342010	Wall Profile	1	11	B	Moving Panel	1
5	M20412	Round Screws ST4x12	3	12	M02004	Hinges	2
6	A	Fixed Panel	1	13	M03032	Top bar	1
7	M20430	Round Screws ST4x30	3	14	M22430	Countersunk Screws ST4x30	2

FIXING KIT COMPONENTS

x1



N011381

x5



N01135

x3



M20430

x3



M20412

x2



M22430

x2



M02004

x2

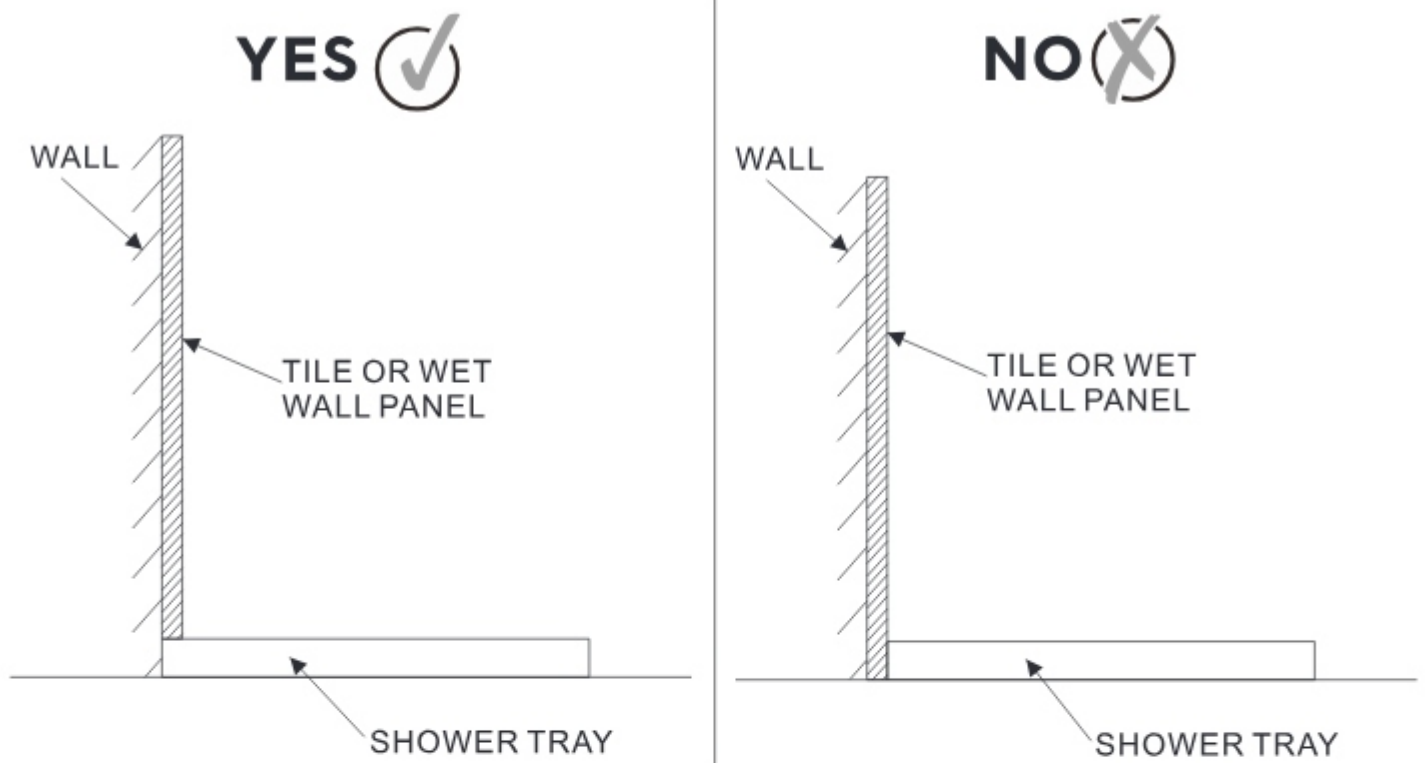


N011307 & N011308

TOOLS REQUIRED

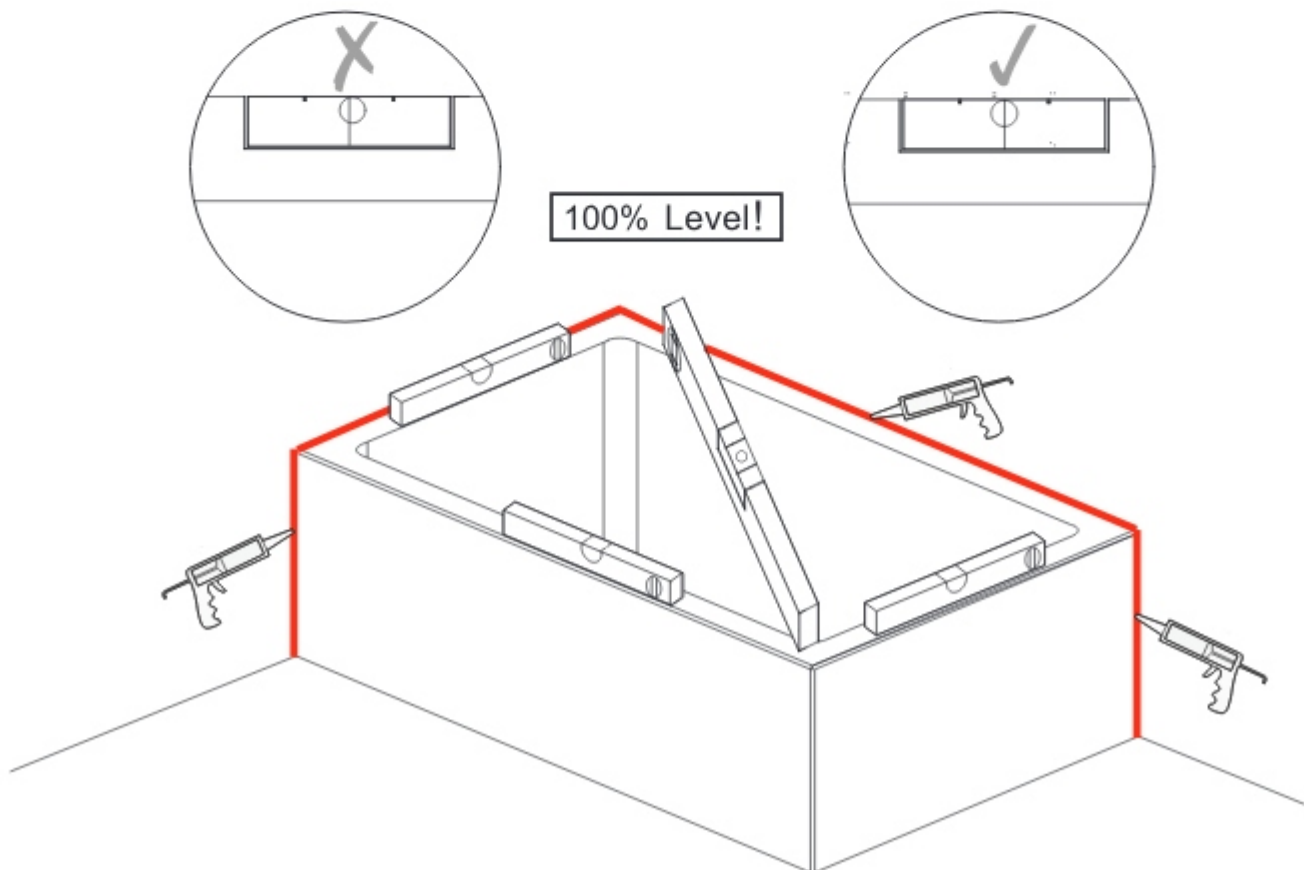
DESCRIPTION	PART IMAGE	DESCRIPTION	PART IMAGE
Tape measure		Drill	
Spirit level		Flat-head Screwdriver	
Pencil		Cross head Screwdriver	
Ø6mm,Ø3mm Drill bit		Mallet	
Ø2,Ø2.5,Ø3,Ø4 Allen Key		Silicone Sealant	
Spanner			

STEP 1 DRAWING TO SHOW CORRECT SHOWER TRAY INSTALLATION



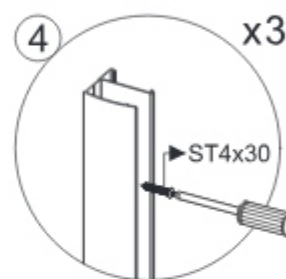
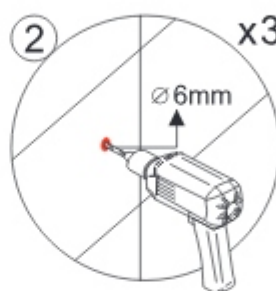
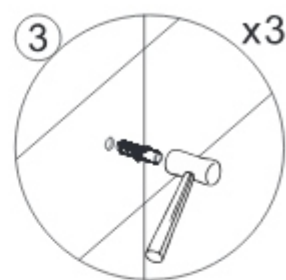
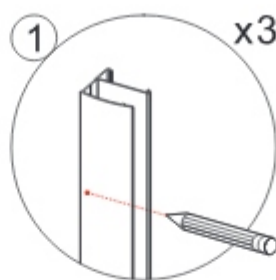
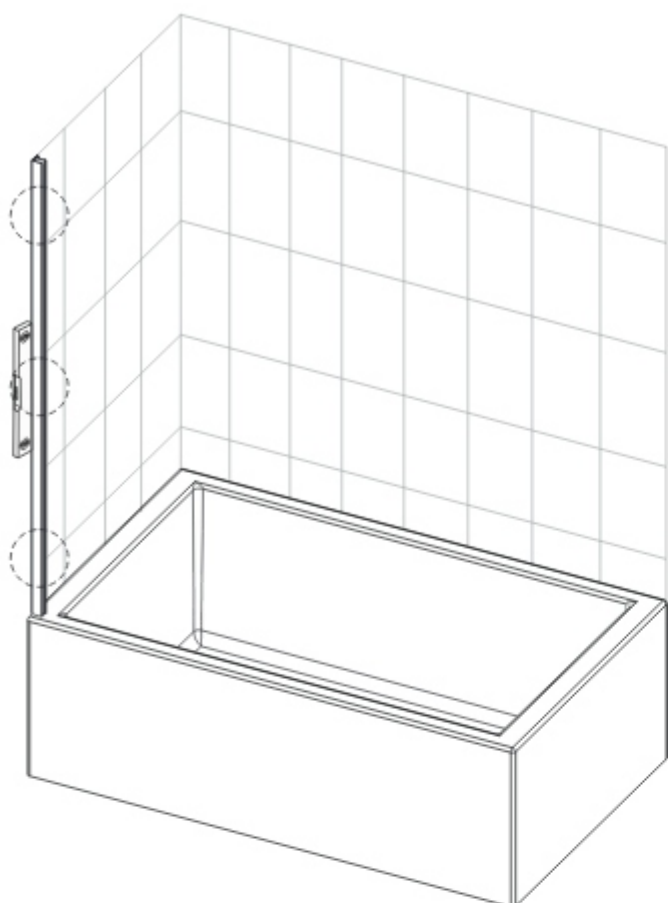
STEP 2 TRAY TO BE LEVEL

MAKE SURE THE TRAY IS LEVEL, USING A SPIRIT LEVEL, BEFORE INSTALLING THIS SHOWER PANEL / DOOR, AND THAT SILICONE IS APPLIED ON ALL SIDES WHERE THE TRAY MEETS THE TILES / WET WALL PANELS.

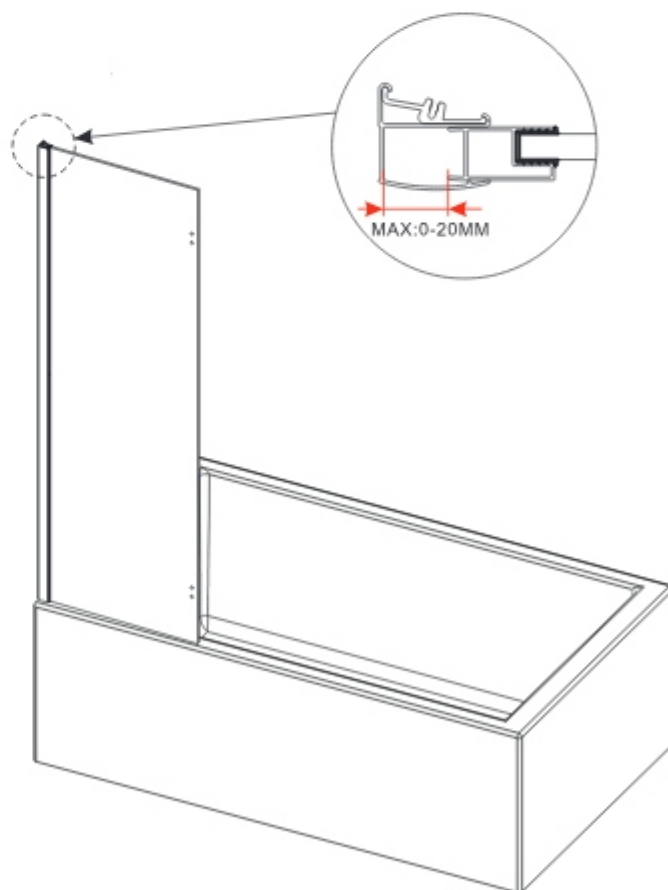
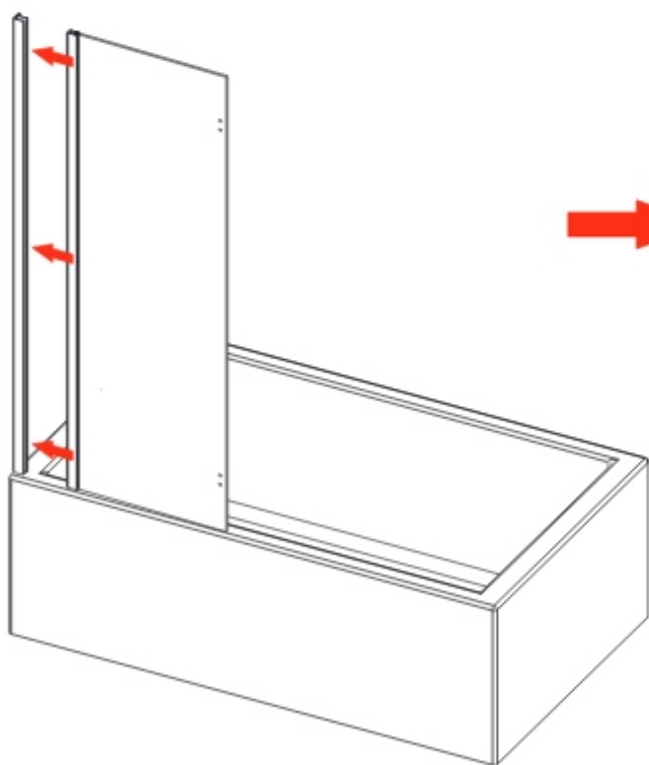


ASSEMBLY WET ROOM FLIPPER PANEL PLEASE FOLLOW BELOW STEPS

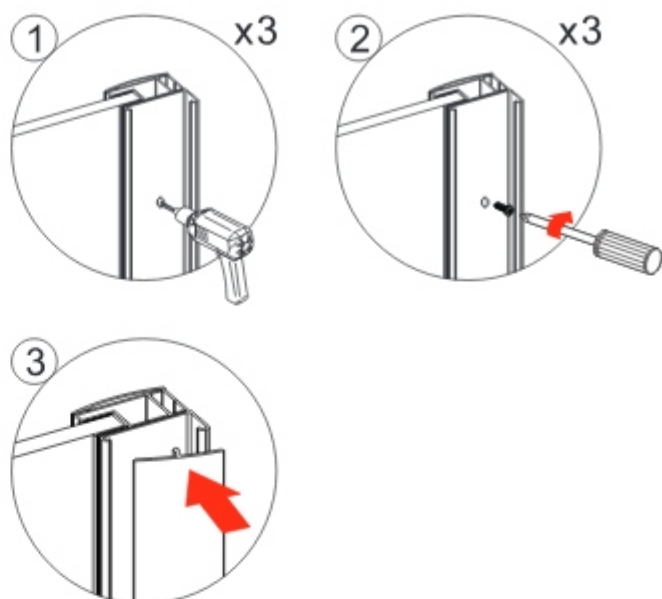
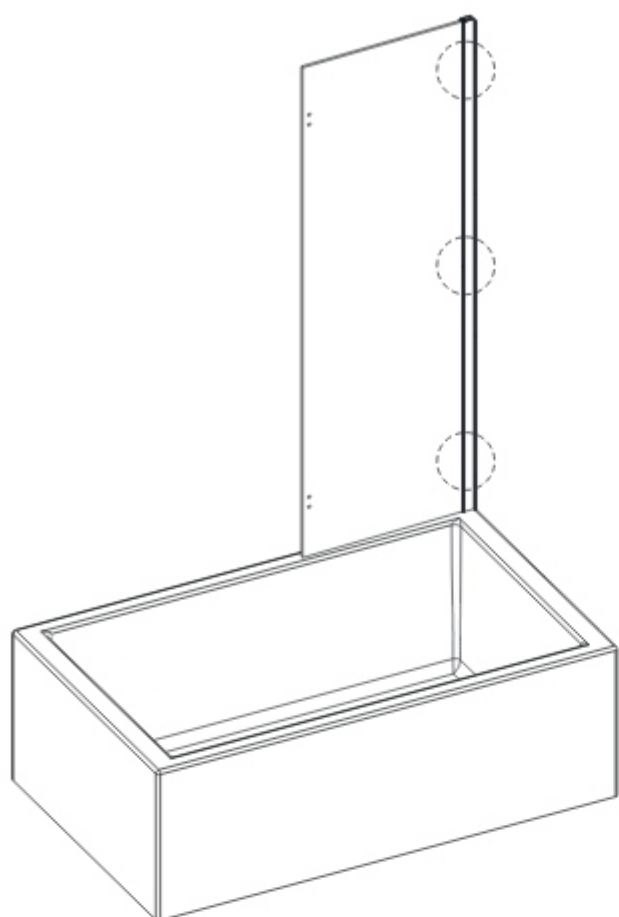
STEP 3 FITTING WALL PROFILES TO THE WALL



STEP 4 FITTING THE MOVING PANEL A

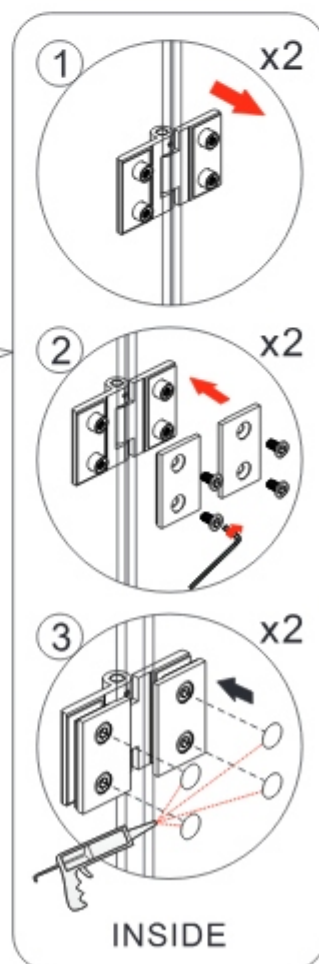
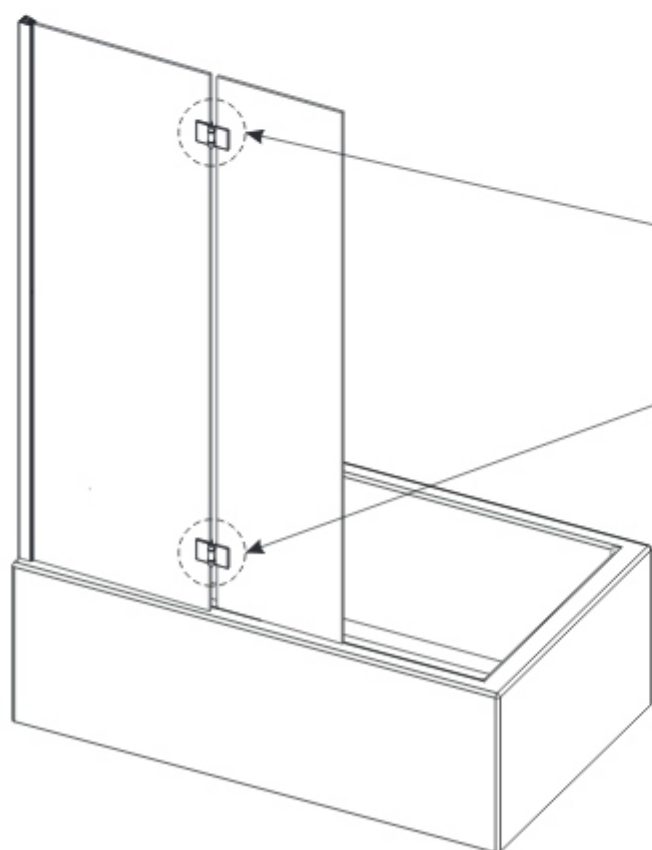


STEP 5 FITTING TO THE WALL PROFILE

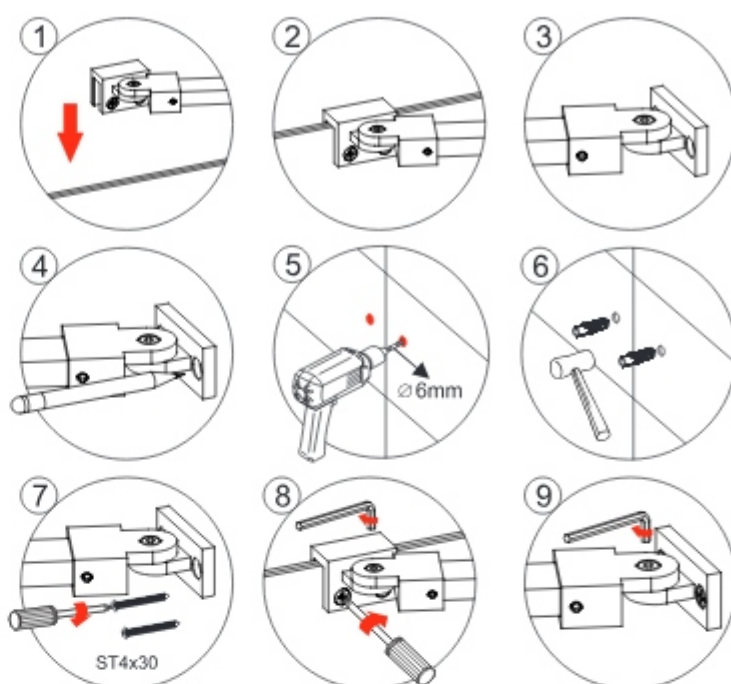
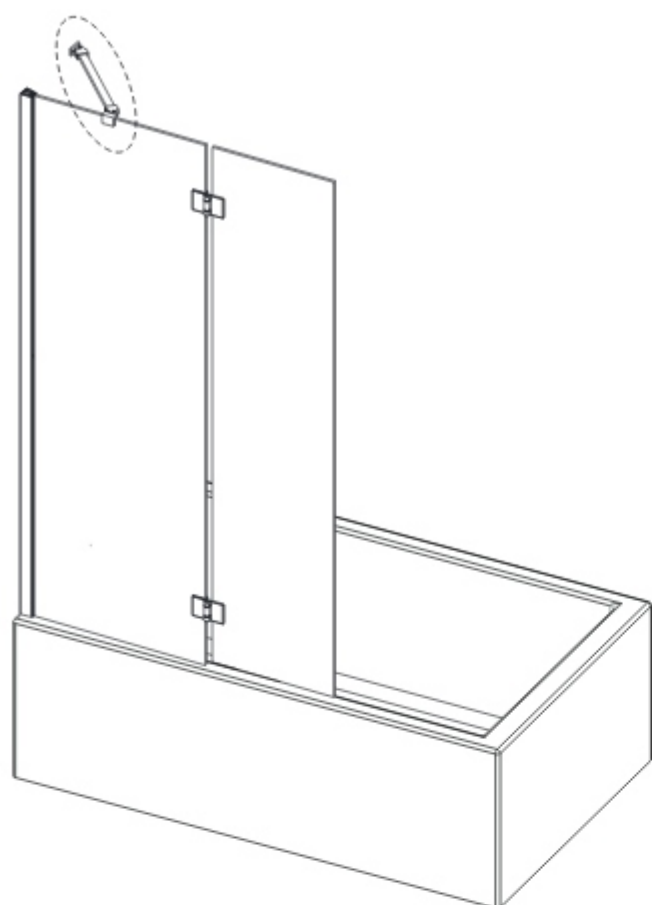


⚠ Take care not to drill into the glass

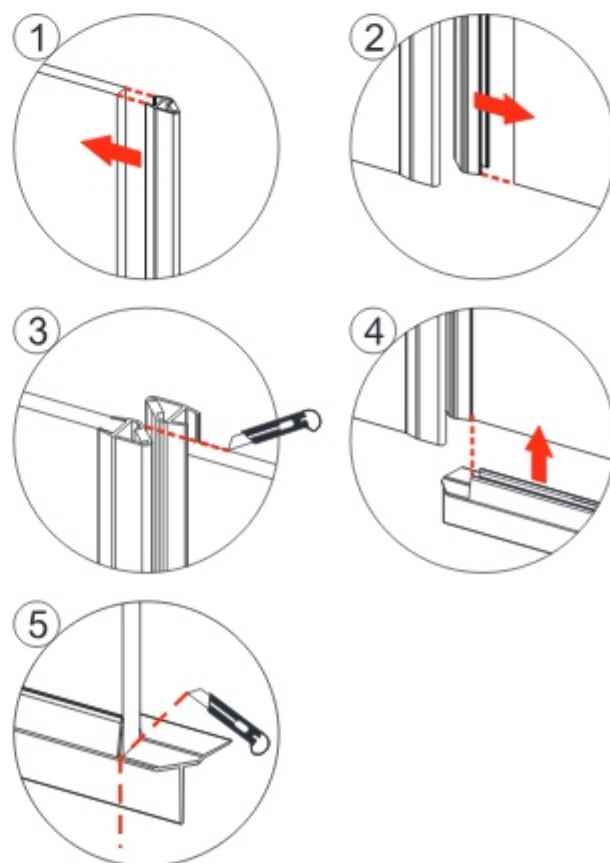
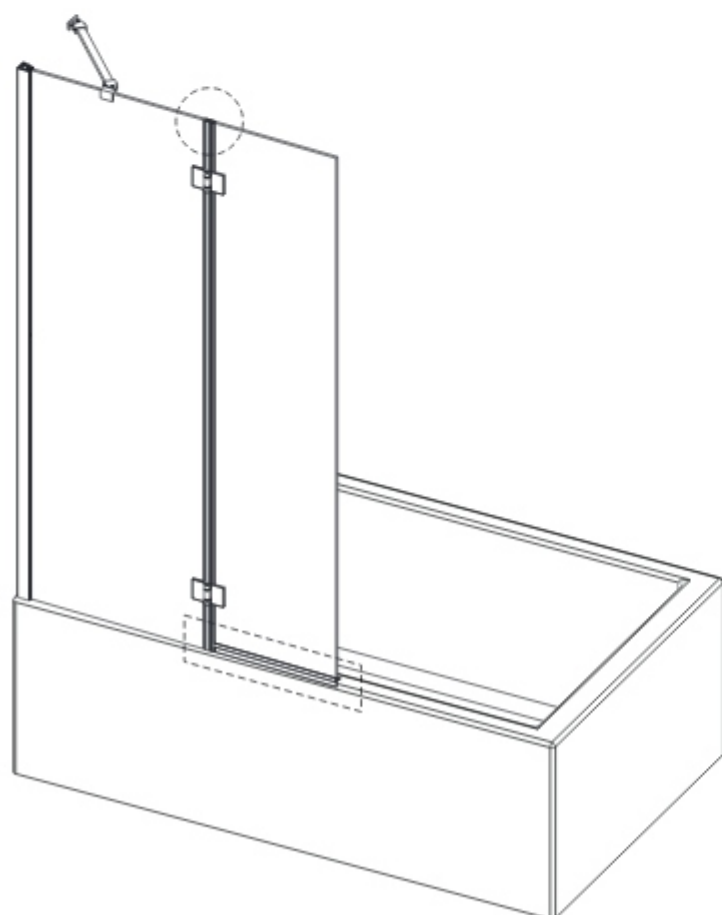
STEP 6 ASSEMBLING THE HINGES



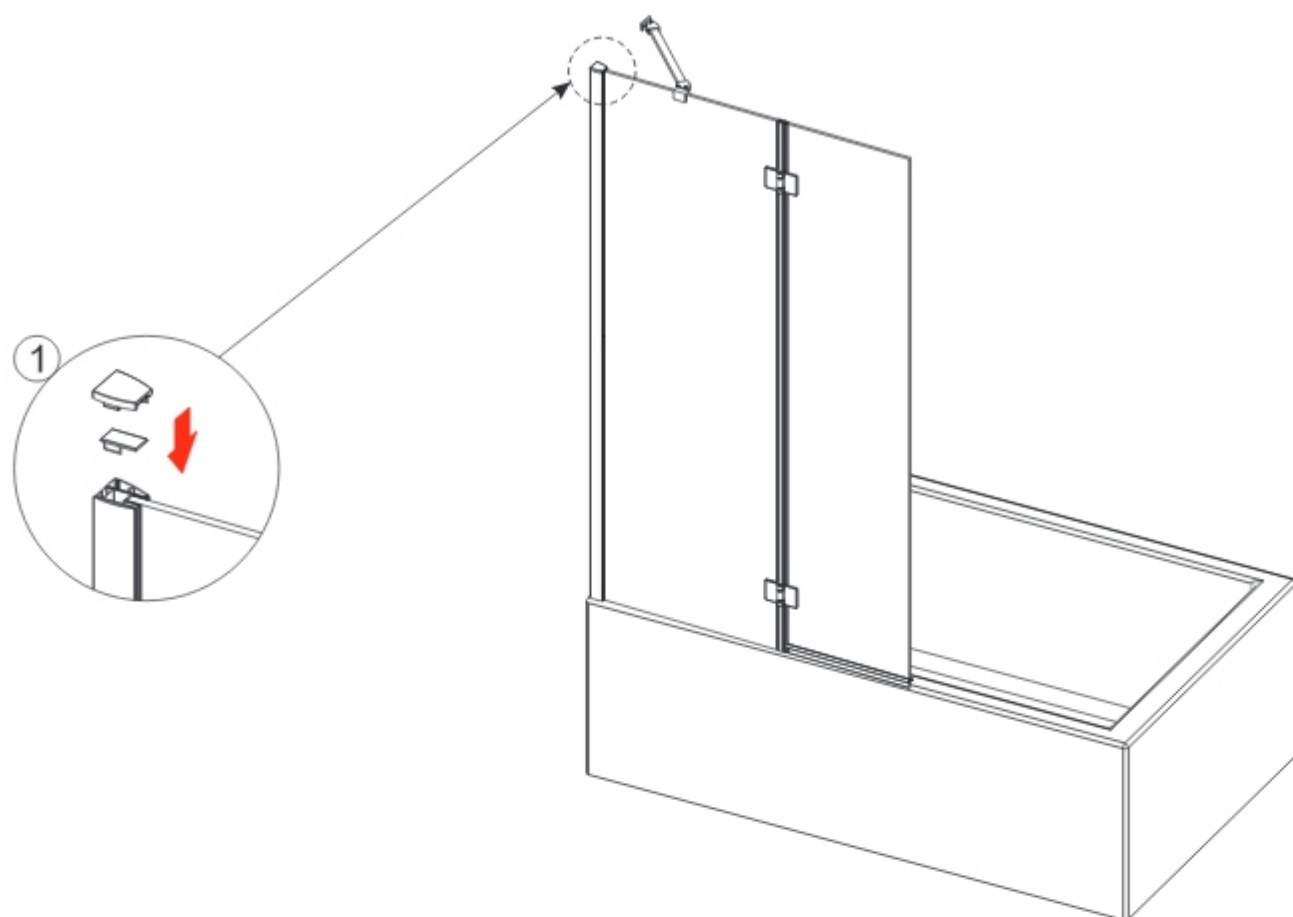
STEP 7 FITTING THE TOP BAR



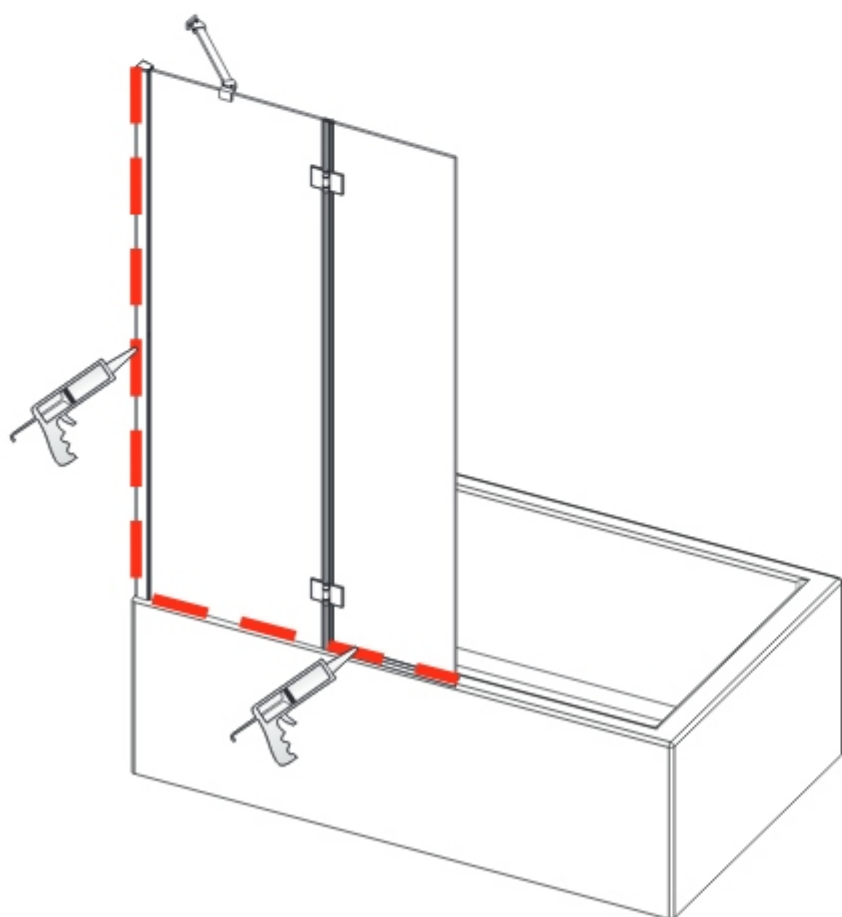
STEP 8 FITTING THE SEALS



STEP 9 FITTING THE COVER CAPS



STEP 10 SILICONE TO THE EDGE



Allow 24 hours for silicone to dry before use.