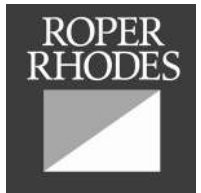
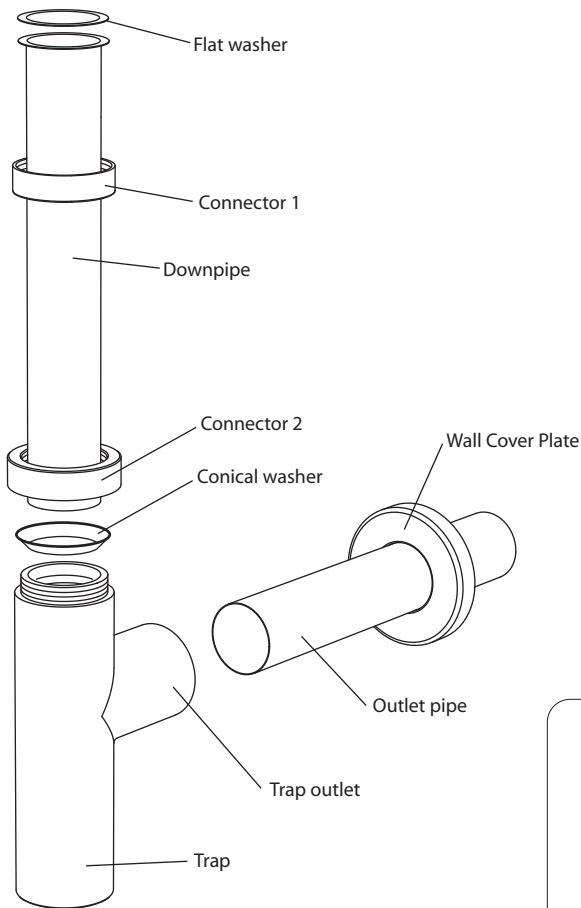


TRAP 2, 3, and 6 Assembly Instructions

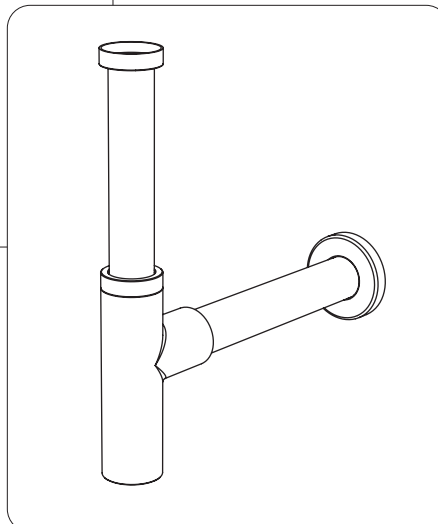


Trap 6 Shown For Illustration



Steps:

1. Connect the downpipe to the waste, placing the flat washer between the two components and tighten connector 1 onto the threaded body of the waste.
2. Connect the trap to the end of the downpipe, placing the conical washer (not included with TRAP2) between the two components and tightening connector 2 onto the trap.
3. Measure the required amount of outlet pipe to be used and cut this to size.
4. TRAP3 and TRAP6: Slide the wall cover plate onto the outlet pipe and then slot the outlet pipe into the trap outlet.
TRAP2: Connect the outlet pipe to the trap outlet in the same way as connecting the trap to the downpipe (as in step 2) using the conical washer and threaded connector.
5. TRAP3 and TRAP6: These traps have a slotted base which can be unscrewed and removed to reveal any items caught in the trap. The base of TRAP2 can be unscrewed by hand.



Should you encounter any problems with this product please contact -
Customer Services Department,
Roper Rhodes Ltd,
Brassmill Lane Trading Estate,
Bath,
BA1 3JF

TEL: 01225 303900 | FAX: 01225 448877

Email: sales@roperrhodes.co.uk
Web: www.roperrhodes.co.uk