

# BRISTAN

TAPS & SHOWERS

## Installation Instructions & User Guide

Please leave these instructions with the end user

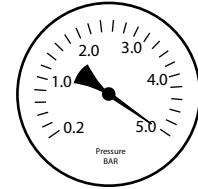
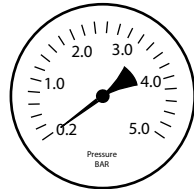
Product Code: TRD KIT01 C (D2)

### Specifications

Dynamic Water Pressure (bar)

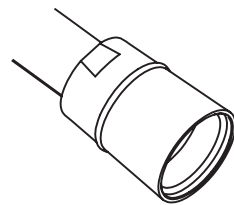
Min: 0.2 bar

Max: 5.0 bar



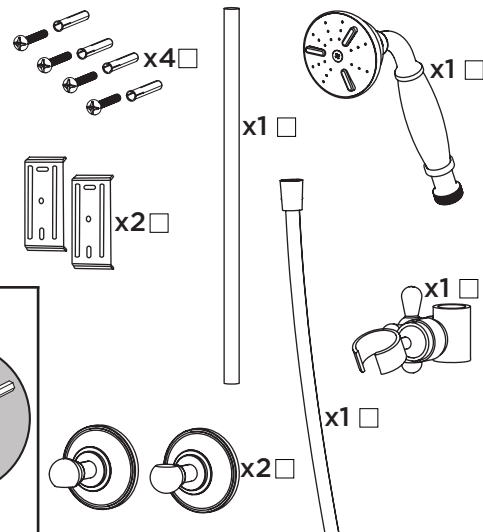
Maximum Static Pressure: 10.0 bar

### Inlet Connection

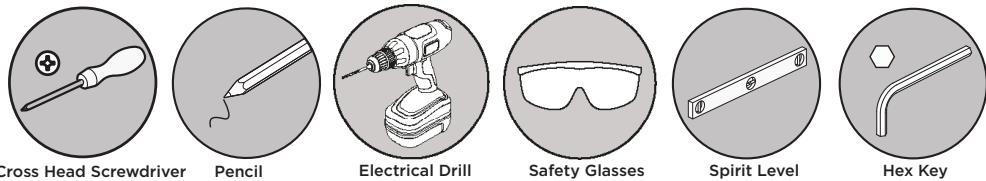


Female G 1/2"

### Pack Contents



### Tools You'll Need



### Prior to Installation

All products manufactured and supplied by Bristan are safe provided they are installed, used correctly and receive regular maintenance in accordance with these instructions.

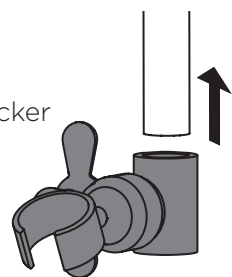
This product has been tested to the Water Regulations Advisory Scheme (WRAS) and satisfies the requirements of the Water Supply (Water Fittings) Regulations 1999 and current bylaws. For full Installation Requirements & Notes (IRN) please visit [www.wras.co.uk/directory](http://www.wras.co.uk/directory).

We recommend isolation valves to be fitted to the inlet water supplies to ensure ease of future maintenance. Before installing this kit the water supply must be thoroughly flushed in order to remove any swarf, solder etc. This product must not be modified in any way as this will invalidate the guarantee.

### Installation

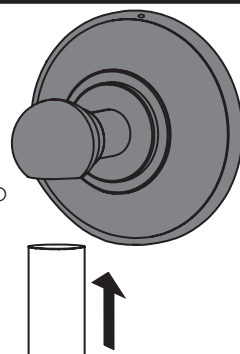
1

Slide the riser bracket onto the rail.

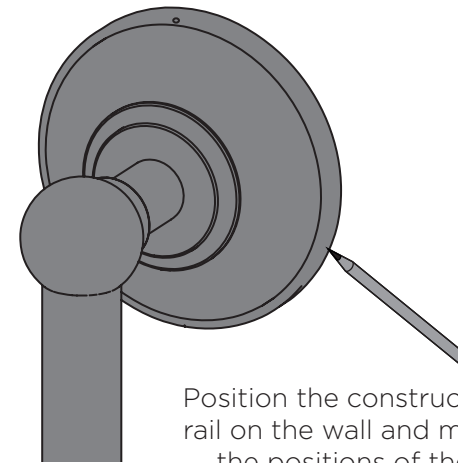
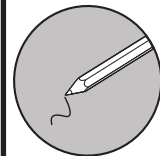


2

Slide the brackets onto the rail.

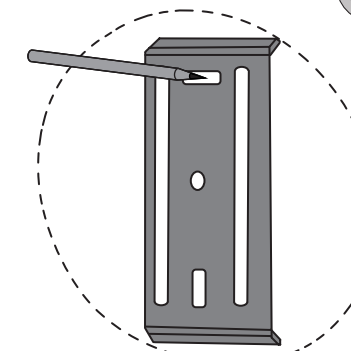


3



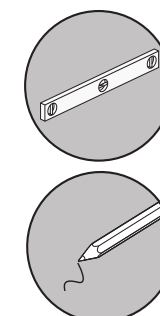
Position the constructed rail on the wall and mark the positions of the brackets on the wall.

4



Mark the holes for the wall plates.

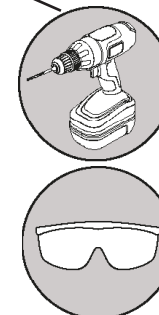
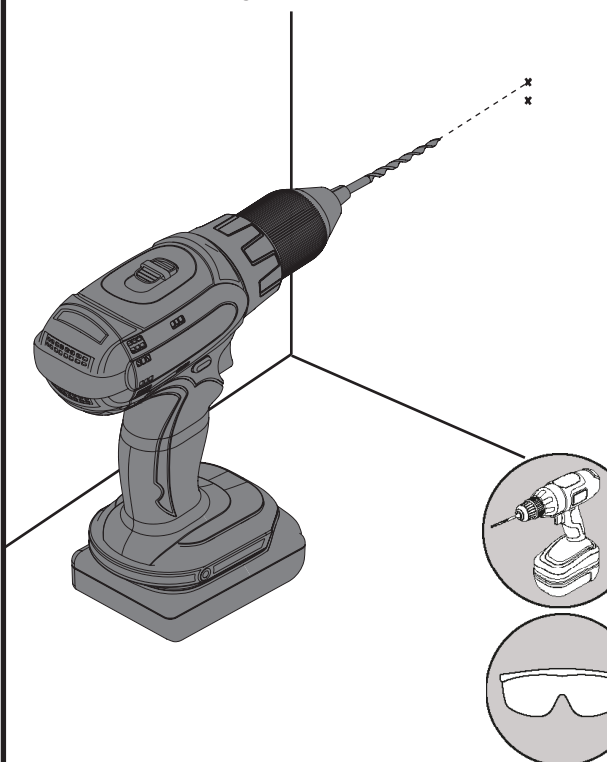
**IMPORTANT**  
Check the positioning of the plates with a spirit level.



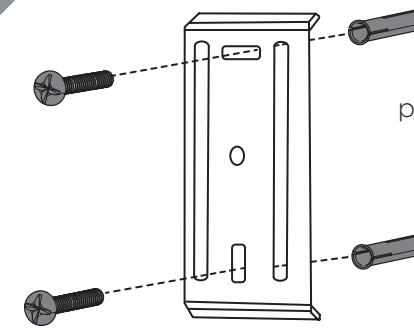
5

Drill the marked holes to suit the wall fixings you are using.

**IMPORTANT**  
Prior to drilling check there are no hidden electrical cables or water supply pipes



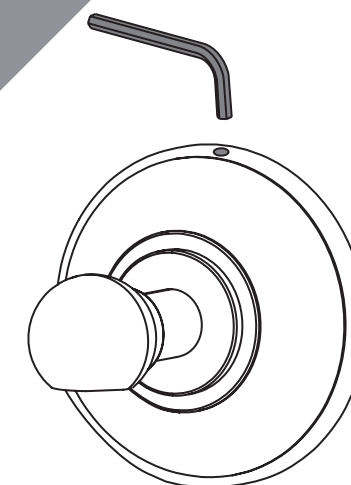
6



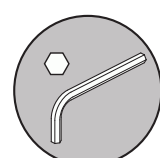
Insert suitable wall plugs and secure the wall plates.



7



Secure the top bracket to the wall plate by tightening the grub screw.



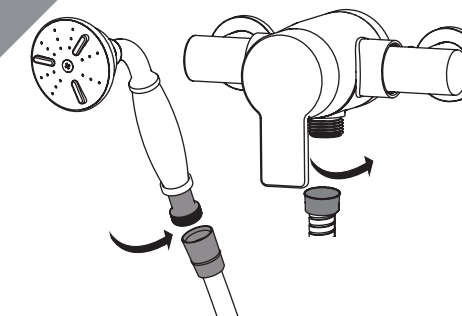
8

Slide the riser into the bottom bracket. Secure to the wall plate.

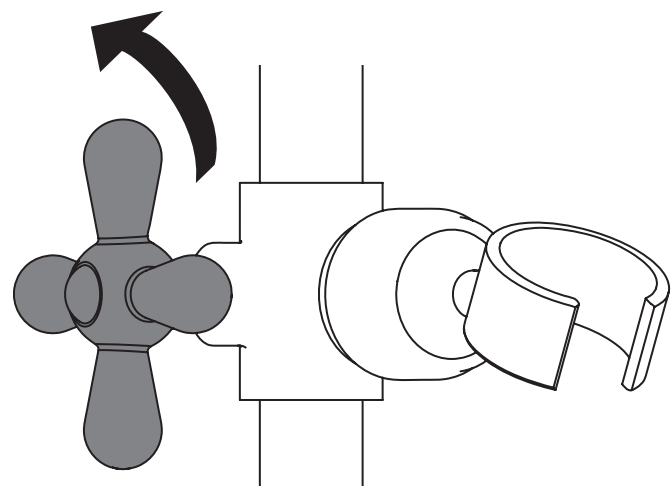


9

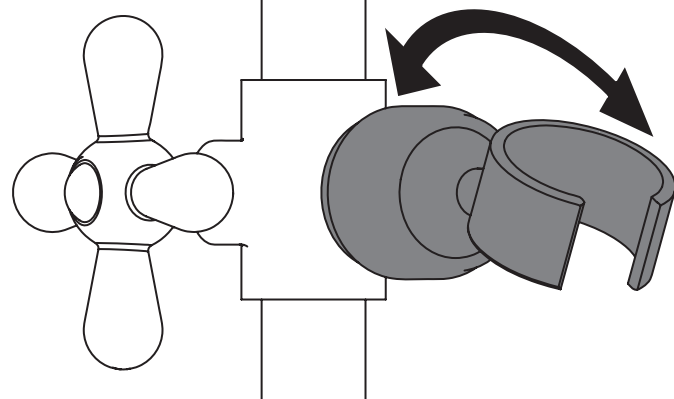
Attach the handset to the hose and connect the other end to shower valve.



## Operation - Slider



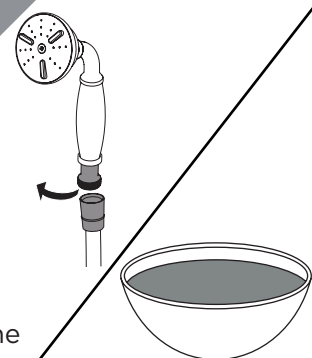
Twist the handle to loosen slider and adjust.



Adjust the slider bracket to adjust the angle of the shower head. Place the hose cone into the slider.

## Maintenance - Cleaning Handset

1

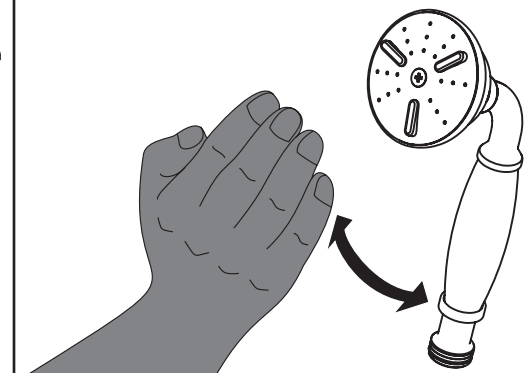


Remove the handset.

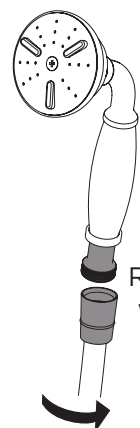
Use a suitable descaling solution

2

Rub the nozzles with the solution, ensure it gets into all nozzles.



3



Rinse the handset with clean water and re-attach.

## General Cleaning

Your fitting has a high quality finish and should be treated with care to preserve the visible surfaces.

All finishes will wear if not cleaned correctly. The only safe way to clean your product is to wipe with a soft damp cloth. Stains can be removed using washing up liquid.

All bath cleaning powders and liquids will damage the surface of your fitting, even the non-scratch cleaners.

**Note:** Never use abrasive detergents or disinfectants or those containing alcohol, hydrochloric acid or phosphoric acid.

## Spare Parts

To replace any spare parts for your tap why not scan the below QR Code and search for your product.

Alternatively visit [www.bristan.com/search](http://www.bristan.com/search).



## Troubleshooting

Symptom	Cause(s)	Remedy
No flow or low flow rate	Check shower head, hose and filters for any blockage.	Clean as necessary, Refer to maintenance section.
	Partially closed stop or service valve in water supply pipe work to the shower valve.	Open stop or service valve. Refer to shower valve manufacturer's instructions.
	Head of water is below the minimum distance required.	Refer to the specification for the minimum distance required.
	Hot or cold water being drawn off elsewhere causing pressure changes or instantaneous boiler temperature changes.	Do not use other water outlets when using the taps.
	Air lock or partial blockage in the supply pipe work or hoses.	Flush through pipe work to ensure removal of debris and any air locks.
	Instantaneous water heater cycles on and off as the flow rate or pressure is too low.	Increase water flow rate or pressure through system. Contact the boiler manufacturer.
	Inlet filter is partially blocked.	Refer to shower valve manufacturer's instructions.
	Ensure the maintained inlet pressures are nominally balanced and sufficient.	Refer to shower valve manufacturer's instructions.
	No hot or cold water reaching the shower valve.	Check hot and cold feeds. Refer to shower valve manufacturer's instructions
	Shower hose kinked causing blockage	Un-kink shower hose.
Water leaking from shower head	This is normal for a short time after turning off	Adjust angle of shower head in slider as necessary to vary drain time.
	Shower control valve failing to close fully, possibly due to water born debris	Refer to shower valve manufacturer's instructions.

At Bristan, we want to make things as easy as possible for our customers. That's why we offer solid guarantees on all our products, effective from the date of purchase, to give you peace of mind.

To start your free guarantee simply scan the QR code and register your product.

Alternatively visit [www.bristan.com/register](http://www.bristan.com/register).

For any other queries, please call our Customer Service on 0330 026 6273 where our expert team of advisors will be able to offer you any help and advice.

For full guarantee terms and conditions visit [www.bristan.com/guarantees](http://www.bristan.com/guarantees).



*We Know & We Care*